



Art. 2020sANSI 150 e 300. Valvole di non ritorno a disco serie API 600 – BS 1414 . Con monogramma API e CE sul corpo. Scartamenti ASME B16.10, flange ASME B16.5, oppure a saldare Butt Welding ANSI B16.25, test in conformità a API 598. Prodotte in WCB √WC6 √WC9 √CF8 √CF8M √CF3 √CF3M CN7M, LC1, LC2, LC3, LCB, LCC, Monel, 20# Alloys, 4°, 5°, C95800, C95500, e altri materiali a richiesta OS&Y, vite esterna, disegno in conformità a API 600 – BS 1414.



Art. 2020sANSI 150 and 300. Lift check valve API 600, face-to-face ASME B16.10, flanges B16.5, or Butt Welding ANSI B16.25. Test in conformity to API 598. Produced in WCB √WC6 √WC9 √CF8 √CF8M √CF3 √CF3M CN7M, LC1, LC2, LC3, LCB, LCC, Monel, 20# Alloys, 4°, 5°, C95800, C95500, and other materials on request. OS&J rising stem, design in conformity to API 600 – BS 1414. API and CE monogram on the body.



CE-1521-1  
CE-1521-2  
CE-1521-3  
CE-1521-4  
CE-1521-5



*Eugitive  
Emission  
Test  
Certificates  
ISO 15848-1*

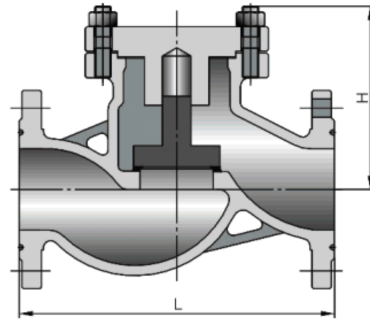
## Manufacturing Standards

API 6D, 600, 598, 591, 602, 6FA, 594, 6A  
ISO 14313, 10497, 5752, 7259, 5996, 7005, 5210, 5211, 520  
ANSI-ASME B16.34, B16.10, B16.20, B16.25, B16.5, B16.47, B16.42, B1.1, B16.1  
AWWA C500, C501, C508, C509  
AWS 5.9, AWS 5.1, AWS 5.4, AWS 5.5, AWS 5.13, AWS 5.14, AWS 5.15  
MSS SP45, SP6, SP9, SP25, SP41, SP55, SP82, SP85, SP70, SP71, SP101, SP102, SP44  
ASTM A105, A126, A182, A193, A194, A216, A217, A320, A350, A351, A352, A395, A488, A536  
BS 1414, 1873, 1868, 5146, 1560, 5152, 5153, 5159, 5352, 6755  
NACE MR0175

EURA srl

Via Bissolati, 6 20125 Milano - Tel +39 02.89.05.26.98 Fax +39 02.68.87.635  
sales@euraitaly.com - www.euraitaly.com

LIFT CHECK VALVES API standard BS 1868, dimensions:



Class	DN (mm)	NPS (in)	Dimensions (mm)		Weight (kg)
			L	H	
150	50	2	203	165	17
	65	2 1/2	216	175	25
	80	3	241	190	29
	100	4	292	215	50
	150	6	356	265	85
	200	8	495	320	150
	250	10	622	365	240
	300	12	699	415	350
300	50	2	267	190	28
	65	2 1/2	292	205	33
	80	3	318	220	45
	100	4	356	245	70
	150	6	445	295	150
	200	8	533	330	230
	250	10	622	420	390
	300	12	711	480	520

Class	DN (mm)	NPS (in)	Dimensions (mm)		Weight (kg)
			L	H	
600	50	2	295	210	33
	65	2 1/2	333	230	43
	80	3	359	255	62
	100	4	435	295	113
	150	6	562	365	222
	200	8	664	420	390
	250	10	791	505	630
	300	12	841	545	871
900	50	2	371	235	120
	65	2 1/2	422	270	166
	80	3	384	302	176
	100	4	460	342	182
	150	6	613	425	403

### TRIM: API NORMS

Internal parts-API nr.	Seat ring or body	Gate/disc/ball or body	Stem	No of internal parts API nr.	Seat ring or body	Gate/disc/ball or body	Stem
1	13Cr	13Cr	13Cr	31	STELLITE	321SS	321SS
2	304SS	304SS	304SS	32	STELLITE	STELLITE	321SS
3	310SS	310SS	310SS	33	347SS	347SS	347SS
4	HARD 13Cr	HARD 13Cr	13Cr	34	STELLITE	347SS	347SS
5	STELLITE	STELLITE	13Cr	35	NICKEL ALLOY	13Cr	13Cr
6	Cu-Ni	13Cr	13Cr	36	A105/PTFE	A105+ENP	A105+ENP
7	13Cr	HARD 13Cr	13Cr	37	A105/PTFE	WCB+ENP	A105+ENP
8	STELLITE	13Cr	13Cr	38	13Cr/PTFE	13Cr	13Cr
9	Cu-Ni	Cu-Ni	Cu-Ni	39	304SS/PTFE	304SS	304SS
10	316SS	316SS	316SS	40	316SS/PTFE	316SS	316SS
11	Cu-Ni	STELLITE	Cu-Ni	41	A105/RPTFE	A105+ENP	A105+ENP
12	STELLITE	316SS	316SS	42	A105/RPTFE	WCB+ENP	A105+ENP
13	ALLOY 20	ALLOY 20	ALLOY 20	43	13Cr/RPTFE	13Cr	13Cr
14	STELLITE	ALLOY 20	ALLOY 20	44	304SS/RPTFE	304SS	304SS
15	STELLITE	STELLITE	304SS	45	316SS/RPTFE	316SS	316SS
16	STELLITE	STELLITE	316SS	46	A105/NYLON	A105+ENP	A105+ENP
17	STELLITE	STELLITE	347SS	47	A105/NYLON	WCB+ENP	A105+ENP
18	STELLITE	STELLITE	ALLOY 20	48	A105/NYLON	304SS	304SS
19	MONEL	MONEL	MONEL	49	A105/NYLON	316SS	316SS
20	BRONZE	BRONZE	13Cr	50	13Cr/NYLON	13Cr	13Cr
21	HASTELLOY B	HASTELLOY B	HASTELLOY B	51	304SS/NYLON	304SS	304SS
22		HASTELLOY C	HASTELLOY C	52	316SS/NYLON	316SS	316SS
23	STELLITE	304SS	304SS	53	A105/PEEK	A105+ENP	A105+ENP
24	304LSS	304LSS	304LSS	54	A105/PEEK	WCB+ENP	A105+ENP
25	STELLITE	304LSS	304LSS	55	13Cr/PEEK	13Cr	13Cr
26	STELLITE	STELLITE	304LSS	56	304SS/PEEK	304SS	304SS
27	316LSS	316LSS	316LSS	57	316SS/PEEK	316SS	316SS
28	STELLITE	316LSS	316LSS				
29	STELLITE	STELLITE	316LSS				
30	321SS	321SS	321SS				