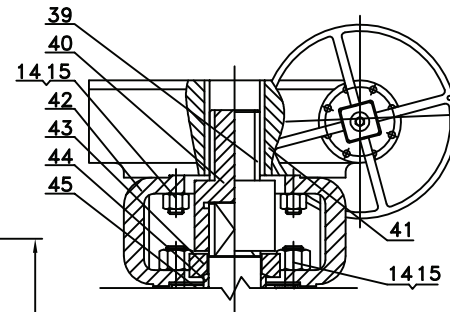
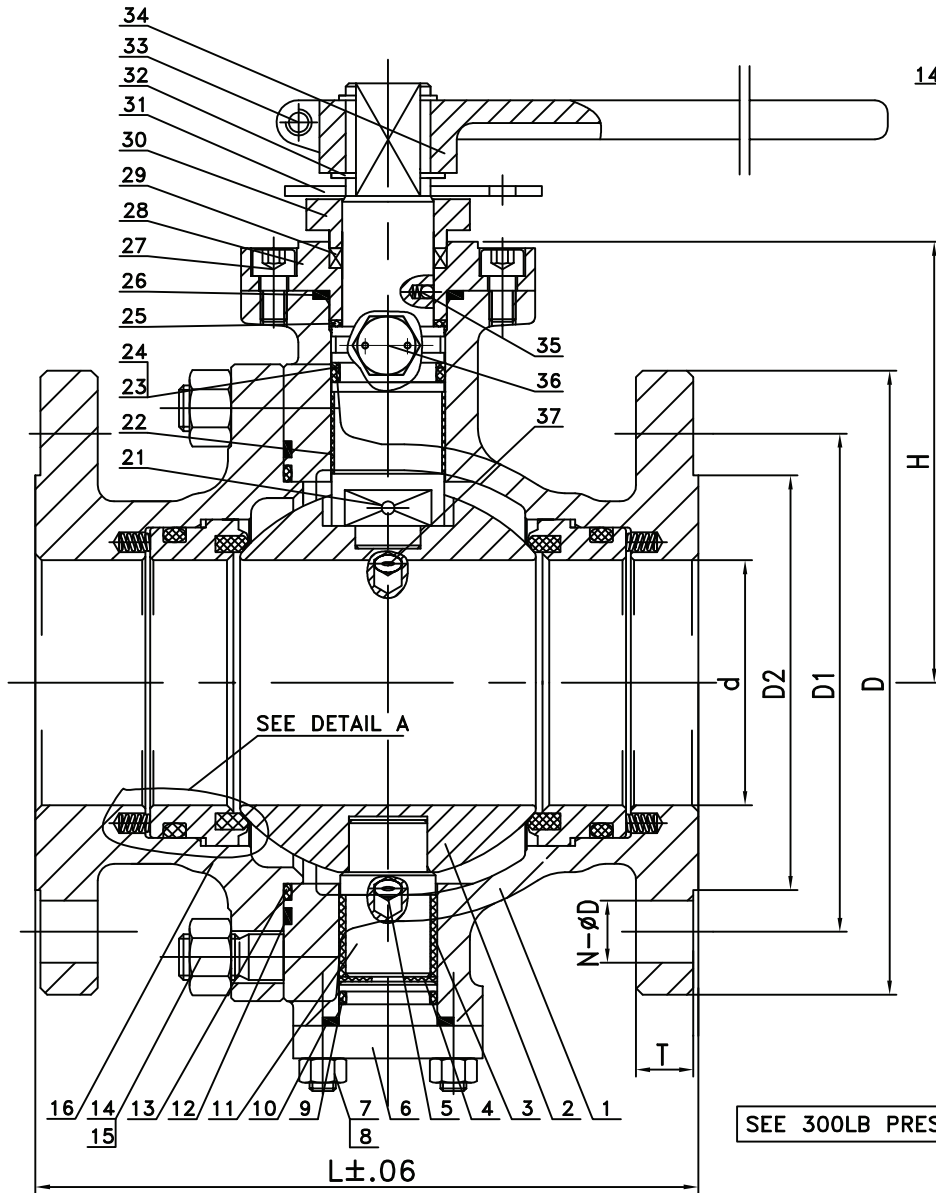


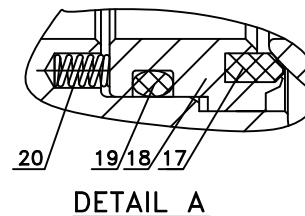
Wm. E. Williams No. T37F6RT / T37F6RT GO Class 300 RF Full Port Ball Valve ASTM A216 Gr. WCB NACE

NOTE:

- BILL OF MATERIAL AND DESIGN MAY DIFFER DEPENDING ON VALVE SIZE.
- OTHER BODY MATERIAL AVAILABLE IN A105, LF2, LCC & 316SS.



WITH GEAR OPERATOR



DETAIL A

BILL OF MATERIAL		
NO.	PART NAME	MATERIAL
1	Body	ASTM A216 WCB
2	Ball	ASTM A351 CF8M
3	Stem Bearing	METAL PACKED PTFE
4	Thrust Bearing	PTFE
5	Drain Valve	ASTM A105 · HZn
6	Lower Cover	ASTM A105 · HZn
7	Stud	ASTM A193 B7M
8	Nut	ASTM A194 2HM
9	"O"-Ring	VITON
10	Gasket	Graphite+304
11	Lower Stem	ASTM A182 F316L
12	Gasket	Graphite+304
13	"O"-Ring	VITON
14	Stud	ASTM A193 B7M
15	Nut	ASTM A194 2HM
16	Left Body	ASTM A216 WCB
17	Seat	PTFE
18	Seat Retainer	ASTM A182 F316L
19	"O"-Ring	VITON
20	Spring	17-7PH
21	Stem	ASTM A182 F316L
22	Stem Bearing	METAL PACKED PTFE
23	"O"-Ring	VITON
24	Thrust Washer	PTFE
25	Thrust Bearing	PTFE
26	Gasket	Graphite+304
27	Bolt	ASTM A193 B7M
28	Connection Plate	ASTM A182 F316L
29	Packing	Graphite
30	Gland	ASTM A216 WCB
31	Stoper	A3 · HZn
32	Snap	65Mn
33	Bolt	ASTM A193 B7M
34	Lever	ASTM A216 WCB
35	Anti-Static Device	Assembly
36	Sealant Fitting	ASTM A105 · HZn
37	Release Valve	ASTM A105 · HZn
38	Bolt (Not Shown)	ASTM A193 B7M
39	Key	AISI 1045
40	Connector	ASTM A105N
41	Gear Operator	ASSEMBLY
42	Yoke	ASTM A216 WCB
43	Gland	ASTM A216 WCB
44	Packing Ring	ASTM A182 F6a
45	Packing	Graphite

SEE 300LB PRESSURE CLASS TABLE FOR DIMENSIONS

WILLIAM E. WILLIAMS VALVE CORPORATION
 38-52 REVIEW AVENUE LONG ISLAND CITY, NY 11101
 TEL: 718-392-1660 FAX: 718-729-5106

TITLE: CAST STEEL TRUNNION BALL VALVE
 CLASS 300 - RF - 2 PIECE - FULL PORT - GEAR OPTION

		MARKING SYSTEM			MSS-SP-25	INSPECTION & TEST: API 6D			MATERIAL: A216 WCB		UNITS: Inch, mm	
		DIM. OF FLANGE			ASME B16.5	SHELL	HYDRO	1125PSI	CLASS: 300	DATE: 01/04/13	SCALE: N.T.S.	
		FACE TO FACE			API 6D	SEAT	AIR	80PSI	SIZE: SEE TABLE		FIG. No.: T37F-6RT	
		FIRE SAFE			API 607	BACK SEAT	HYDRO	N/A	DRAWN BY: F.J.		T37F-6RT GO	
NO.	DATE	DESCRIPTION	PRP'D	REV'D	APP'D	DESIGNED	API 6D	NACE MR 0175	CHK'D & APR'D BY: R.P.	REV: 1	DWG No.: 15BA120003-T-WEB	

Full Port Trunnion Ball Valves Dimension Table

Full Port Trunnion Ball Valves 300lb

Dimensions: inches (millimeters)

SIZES	d	L	D	D1	D2	T	N-ØD	H
	Size	Face to Face	Outside Diameter of Flange	Bolt Circle	Outside Diameter of Raised Face	Flange Thickness	No. of Holes / Hole Diameter	Center to Top
2"	2 (50)	8-1/2 (216)	6-1/2 (165)	5 (127)	3-5/8 (92)	13/16 (21)	8-Ø3/4 (19)	3-21/32 (93)
3"	3 (75)	11-9/64 (283)	8-1/4 (210)	6-5/8 (168.5)	5 (127)	1-1/16 (27)	8-Ø7/8 (22)	4-21/32 (118.5)
4"	4 (100)	12 (305)	10 (255)	7-7/8 (200)	6-7/8 (175)	1-1/4 (30.5)	8-Ø7/8 (22)	5-21/32 (143.5)
6"	6 (150)	15-7/8 (403)	12-1/2 (320)	10-5/8 (270)	8-1/2 (216)	1-3/8 (35)	12-Ø7/8 (22)	8-3/16 (208)
8"	8 (201)	19-3/4 (502)	15 (380)	13 (330)	10-5/8 (270)	1-9/16 (40)	12-Ø1 (25)	9-3/4 (248)
10"	10 (252)	22-3/8 (568)	17-1/2 (445)	15-1/4 (387.5)	12-3/4 (324)	1-27/32 (46.5)	16-Ø1-9/64 (29)	11-9/16 (294)
12"	12 (303)	25-1/2 (648)	20-1/2 (520)	17-3/4 (451)	15 (381)	1-15/16 (49.5)	16-Ø1-1/4 (32)	13-9/16 (344.5)
14"	13-3/4 (334)	30 (762)	23 (585)	20-1/4 (514.5)	16-1/4 (413)	2-1/16 (52.5)	20-Ø1-1/4 (32)	14-27/32 (377)
16"	15-1/4 (385)	33 (838)	25-1/2 (650)	22-1/2 (571.5)	18-1/2 (470)	2-1/4 (56)	20-Ø1-3/8 (35)	16-15/32 (418)
18"	17-1/4 (436)	36 (914)	28 (710)	24-3/4 (628.5)	21 (533)	2-5/16 (59)	24-Ø1-3/8 (35)	18-7/32 (463)
20"	19-1/4 (487)	39 (991)	30-1/2 (775)	27 (686)	23 (584)	2-7/16 (62)	24-Ø1-3/8 (35)	19-3/4 (502)
24"	23-1/4 (589)	45 (1143)	36 (915)	32 (813)	27-1/4 (692)	2-11/16 (68.5)	24-Ø1-5/8 (41)	23-5/16 (592)
26"	25 (633)	49 (1245)	38-1/4 (972)	34-1/2 (876.5)	29-1/2 (749)	3 (79)	28-Ø1-3/4 (45)	24-15/16 (633)
28"	27 (684)	53 (1346)	40-3/4 (1035)	37 (940)	31-1/2 (800)	3-3/8 (86)	28-Ø1-3/4 (45)	26-3/4 (680)
30"	29 (735)	55 (1397)	43 (1092)	39-1/4 (997)	33-3/4 (857)	3-5/8 (92)	28-Ø1-7/8 (48)	28-3/4 (730)
32"	30-11/16 (779)	60 (1524)	45-1/4 (1149)	41-1/2 (1054)	36 (914)	3-7/8 (98)	28-Ø2 (51)	30-1/8 (765)
36"	34-7/16 (874)	68 (1727)	50 (1270)	46 (1168)	40-1/4 (1022)	4-1/8 (105)	32-Ø2-1/8 (54)	33-11/32 (847)
40"	38-7/16 (976)	77 (1956)	48-3/4 (1238)	45-1/2 (1156)	42-3/4 (1086)	4-1/2 (114)	32-Ø1-3/4 (45)	36-1/4 (921)
42"	40-5/32 (1020)	82 (2083)	50-3/4 (1289)	47-1/2 (1206.5)	44-3/4 (1137)	4-11/16 (119)	32-Ø1-3/4 (45)	36-7/8 (936)
48"	45-29/32 (1166)	85-1/2 (2170)	57-3/4 (1467)	54 (1372)	51-1/4 (1302)	5-9/32 (134)	32-Ø2 (51)	43-1/32 (1093)
56"	53-1/2 (1360)	108 (2743)	67-1/4 (1708)	63 (1600)	59-3/4 (1518)	6-1/16 (154)	28-Ø2-3/8 (60)	49-3/4 (1263)

*Does not include 1/16" raised face in the 150lb and 300lb standards. Does not include 1/4" raised face in 400lb and heavier standards.