

APOLLOXPRESS[®]

Fittings Submittals

Made in
USA



Valves available in both **Standard** and **Lead Free** models.



Your Single Source Solution for Press Technology

Always check the individual product on our website for the most current version of submittal.



SALES and CUSTOMER SERVICE

P.O. Box 247 | Matthews, NC 28105

Phone: (704) 841-6000 | Fax: (704) 841-6020 | www.apollovalves.com

Elkhart Products
Corporation



SALES and CUSTOMER SERVICE

1255 Oak Street | Elkhart, IN 46514

Phone: (800) 395-7313 | Fax: (574) 264-0103 | www.elkhartproducts.com

SUBMITTAL SHEET

800 Large Diameter Series

APOLLOXPRESS® Press End Copper Coupling
CxC with Stop (2 1/2" through 4")



Job Name:	
Job Location:	
Engineer:	
Contractor:	
Tag:	
PO Number:	
Representative:	
Wholesale Distributor:	



DESCRIPTION

The APOLLOXPRESS® 800 Large Diameter Press Coupling features a Lead-Free dezincification resistant copper body, a patented stainless-steel solid cross-section Grab Ring, a Nylon Separation Ring and an EPDM O-Ring. Our Large Diameter APOLLOXPRESS® products are manufactured utilizing proven ASTM materials and standards. Proudly Made In The USA.

FEATURES

- Lead-Free Construction
- Leak-Before-Press Technology
- Visual element, Break Away Band (Pat. Pending)
- Compatible with XL-C™ Pressing Tools
- Approved for underground installation (per local installation code)
- Use with hard/soft ASTM B88 K, L & M Copper Tube
- Made in USA
- cUPC® Compliant
- ARRA Compliant

PERFORMANCE RATING

- Maximum Pressure: 200 psi
- Temperature Range: 0°F to 250°F depending on application. Hot Water up to 250°F, Chilled Water down to 33°F

APPROVALS

- NSF/ANSI NSF 61 – Water Quality
- NSF/ANSI NSF-372 – Lead Free (LF)
- IAPMO File Listings: 4861, 6174 & N-4951

APOLLOXPRESS

- Large Diameter Sizes 2 1/2", 3" & 4"
- Model 800, Coupling with Stop C x C.

STANDARD MATERIALS

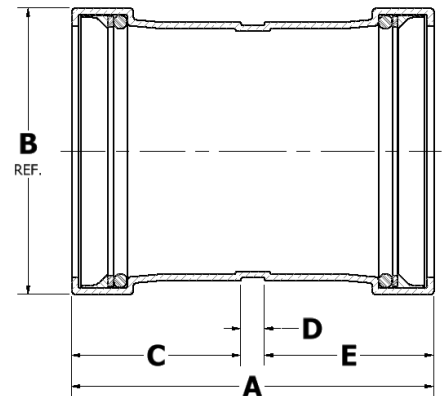
Part Name	Material
Body	UNS C12200 Copper
Grab Ring	304 / 306 Stainless Steel
Spacer Ring	Nylon 66
O-Ring	EPDM
Lubrication	Silicone, ANSI/NSF-61 Listed

DIMENSIONS

Item No.	Description	Dimension (in.)								(lb.)
		A	B	C*	D**	E*	Height	Width	Depth	
10061947	800 2 1/2 CxC	4.33	3.16	1.90	0.53	1.90	3.16	4.33	3.16	1.01
10061952	800 3 CxC	4.65	3.68	2.10	0.46	2.10	3.68	4.65	3.68	1.48
10061957	800 4 CxC	5.53	4.70	2.50	0.53	2.50	4.70	5.53	4.70	2.67

* Tolerance +/- .02"

** Tolerance +.15 / -.03



Elkhart Products Corporation

1255 Oak Street, Elkhart, IN 46514

www.elkhartproducts.com | (574) 264-3181

This specification is provided for reference only. Elkhart Products Corporation reserves the right to change any portion of this specification without notice and without incurring obligation to make such changes to Elkhart products previously or subsequently sold.



SUBMITTAL SHEET

800 Small Diameter Series

APOLLOXPRESS® Press End Copper Coupling
CxC with Stop (½" through 2")



Job Name:	
Job Location:	
Engineer:	
Contractor:	
Tag:	
PO Number:	
Representative:	
Wholesale Distributor:	



DESCRIPTION

The APOLLOXPRESS® 800 Small Diameter Press Coupling features a Lead-Free dezincification resistant copper body and an EPDM O-Ring. Our Small Diameter APOLLOXPRESS® products are manufactured utilizing proven ASTM materials and standards. Proudly Made In The USA.

FEATURES

- Lead-Free Construction
- Leak-Before-Press Technology
- Compatible with Pro-Press™ Pressing Tools
- Approved for underground installation (per local installation code)
- Use with hard/soft ASTM B88 K, L & M Copper Tube
- Made in USA
- cUPC® Compliant
- ARRA Compliant

PERFORMANCE RATING

- Maximum Pressure: 200 psi
- Temperature Range: 0°F to 250°F depending on application. Hot Water up to 250°F, Chilled Water down to 33°F

APPROVALS

- NSF/ANSI NSF 61 – Water Quality
- NSF/ANSI NSF-372 – Lead Free (LF)
- IAPMO File Listings: 4861, 6174 & N-4951

APOLLOXPRESS

- Small Diameter Sizes ½", ¾", 1", 1 ¼", 1 ½" & 2"
- Model 800, Coupling with Stop C x C

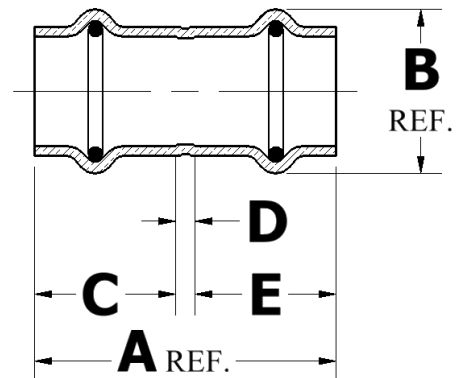
STANDARD MATERIALS

Part Name	Material
Body	UNS C12200 Copper
O-Ring	EPDM
Lubrication	Silicone, ANSI/NSF-61 Listed

DIMENSIONS

Item No.	Description	Dimension (in.)								(lb.)
		A	B	C*	D**	E*	Height	Width	Depth	
10075500	800 ½ CxC	1.72	0.95	0.81	0.11	0.81	0.95	1.72	0.95	0.08
10075502	800 ¾ CxC	1.89	1.24	0.88	0.12	0.88	1.24	1.89	1.24	0.13
10075504	800 1 CxC	2.06	1.49	0.92	0.23	0.92	1.49	2.06	1.49	0.19
10075506	800 1¼ CxC	2.34	1.75	1.04	0.25	1.04	1.75	2.34	1.75	0.25
10075508	800 1½ CxC	3.10	2.09	1.43	0.24	1.43	2.09	3.10	2.09	0.50
10075510	800 2 CxC	3.42	2.56	1.59	0.25	1.59	2.56	3.42	2.56	0.62

* Tolerance +/- .045"
** Tolerance +.09 / -.03



Elkhart Products Corporation
1255 Oak Street, Elkhart, IN 46514
www.elkhartproducts.com | (574) 264-3181

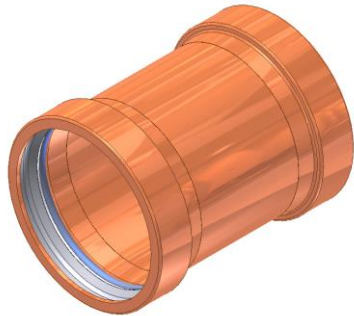
This specification is provided for reference only. Elkhart Products Corporation reserves the right to change any portion of this specification without notice and without incurring obligation to make such changes to Elkhart products previously or subsequently sold.



SUBMITTAL SHEET

801 Large Diameter Series

APOLLOXPRESS® Press End Copper Coupling
CxC without Stop (2 1/2" through 4")



Job Name:	
Job Location:	
Engineer:	
Contractor:	
Tag:	
PO Number:	
Representative:	
Wholesale Distributor:	



DESCRIPTION

The APOLLOXPRESS® 801 Large Diameter Press Coupling features a Lead-Free dezincification resistant copper body, a patented stainless-steel solid cross-section Grab Ring, a Nylon Separation Ring and an EPDM O-Ring. Our Large Diameter APOLLOXPRESS® products are manufactured utilizing proven ASTM materials and standards. Proudly Made In The USA.

FEATURES

- Lead-Free Construction
- Leak-Before-Press Technology
- Visual element, Break Away Band (Pat. Pending)
- Compatible with XL-C™ Pressing Tools
- Approved for underground installation (per local installation code)
- Use with hard/soft ASTM B88 K, L & M Copper Tube
- Made in USA
- cUPC® Compliant
- ARRA Compliant

PERFORMANCE RATING

- Maximum Pressure: 200 psi
- Temperature Range: 0°F to 250°F depending on application. Hot Water up to 250°F, Chilled Water down to 33°F

APPROVALS

- NSF/ANSI NSF 61 – Water Quality
- NSF/ANSI NSF-372 – Lead Free (LF)
- IAPMO File Listings: 4861, 6174 & N-4951

APOLLOXPRESS

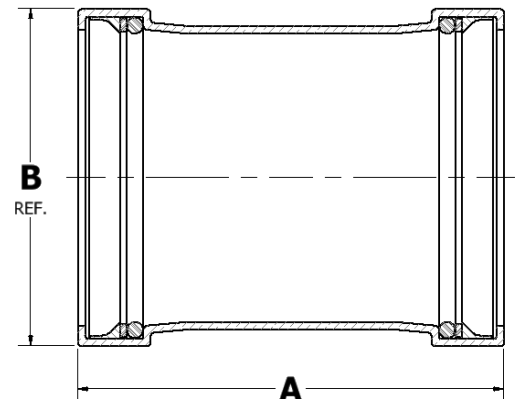
- Large Diameter Sizes 2 1/2", 3" & 4"
- Model 801, Coupling without Stop C x C

STANDARD MATERIALS

Part Name	Material
Body	UNS C12200 Copper
Grab Ring	304 / 306 Stainless Steel
Spacer Ring	Nylon 66
O-Ring	EPDM
Lubrication	Silicone, ANSI/NSF-61 Listed

DIMENSIONS

Item No.	Description	Dimension (in.)					(lb.)
		A	B	Height	Width	Depth	
10061932	801 2 1/2" CxC	4.33	3.16	3.16	4.33	3.16	1.04
10061937	801 3" CxC	4.65	3.68	3.68	4.65	3.68	1.49
10061942	801 4" CxC	5.53	4.70	4.70	5.53	4.70	2.67



Elkhart Products Corporation

1255 Oak Street, Elkhart, IN 46514
www.elkhartproducts.com | (574) 264-3181

This specification is provided for reference only. Elkhart Products Corporation reserves the right to change any portion of this specification without notice and without incurring obligation to make such changes to Elkhart products previously or subsequently sold.



SUBMITTAL SHEET

801L Small Diameter Series

APOLLOXPRESS® Press End Copper Coupling
Extended Length CxC without Stop (1/2" through 1")



Job Name:	
Job Location:	
Engineer:	
Contractor:	
Tag:	
PO Number:	
Representative:	
Wholesale Distributor:	



DESCRIPTION

The APOLLOXPRESS® 801L Small Diameter Press Coupling features a Lead-Free dezincification resistant copper body and an EPDM O-Ring. Our Small Diameter APOLLOXPRESS® products are manufactured utilizing proven ASTM materials and standards. Proudly Made In The USA.

FEATURES

- Lead-Free Construction
- Leak-Before-Press Technology
- Compatible with Pro-Press™ Pressing Tools
- Approved for underground installation (per local installation code)
- Use with hard/soft ASTM B88 K, L & M Copper Tube
- Made in USA
- cUPC® Compliant
- ARRA Compliant

PERFORMANCE RATING

- Maximum Pressure: 200 psi
- Temperature Range: 0°F to 250°F depending on application. Hot Water up to 250°F, Chilled Water down to 33°F

APPROVALS

- NSF/ANSI NSF 61 – Water Quality
- NSF/ANSI NSF-372 – Lead Free (LF)
- IAPMO File Listings: 4861, 6174 & N-4951

APOLLOXPRESS

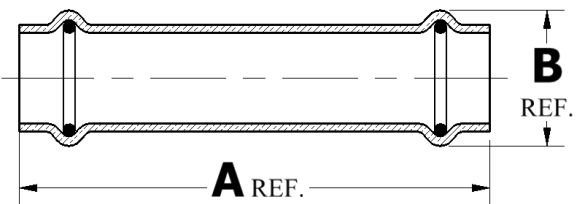
- Small Diameter Extended Length Sizes 1/2", 3/4", & 1"
- Model 801L, Extended Length Coupling without Stop C x C

STANDARD MATERIALS LIST

Part Name	Material
Body	UNS C12200 Copper
O-Ring	EPDM
Lubrication	Silicone, ANSI/NSF-61 Listed

DIMENSIONS

Item No.	Description	Dimension (in.)					(lb.)
		A	B	Height	Width	Depth	Weight
10075030	801L 1/2 CxC	3.30	0.95	0.95	3.30	0.95	0.13
10075032	801L 3/4 CxC	3.00	1.24	1.24	3.00	1.24	0.19
10075034	801L 1 CxC	3.58	1.49	1.49	3.58	1.49	0.30



Elkhart Products Corporation

1255 Oak Street, Elkhart, IN 46514
www.elkhartproducts.com | (574) 264-3181

This specification is provided for reference only. Elkhart Products Corporation reserves the right to change any portion of this specification without notice and without incurring obligation to make such changes to Elkhart products previously or subsequently sold.



SUBMITTAL SHEET

801R Large Diameter Series

APOLLOXPRESS® Press End Copper Reducer Coupling
CxC (2 1/2" x 1" through 4" x 3")



Job Name:	
Job Location:	
Engineer:	
Contractor:	
Tag:	
PO Number:	
Representative:	
Wholesale Distributor:	



DESCRIPTION

The APOLLOXPRESS® 801R Large Diameter Press Reducer Coupling features a Lead-Free dezincification resistant copper body and an EPDM O-Ring. Our Small Diameter APOLLOXPRESS® products are manufactured utilizing proven ASTM materials and standards. Proudly Made In The USA.

FEATURES

- Lead-Free Construction
- Leak-Before-Press Technology
- Compatible with XL-C™ & Pro-Press™ Pressing Tools
- Approved for underground installation (per local installation code)
- Use with hard/soft ASTM B88 K, L & M Copper Tube
- Made in USA
- cUPC® Compliant
- ARRA Compliant

APOLLOXPRESS

- Large Diameter Sizes 2 1/2" x 1" through 4" x 3"
- Model 801R, Reducer Coupling

PERFORMANCE RATING

- Maximum Pressure: 200 psi
- Temperature Range: 0°F to 250°F depending on application. Hot Water up to 250°F, Chilled Water down to 33°F

STANDARD MATERIALS

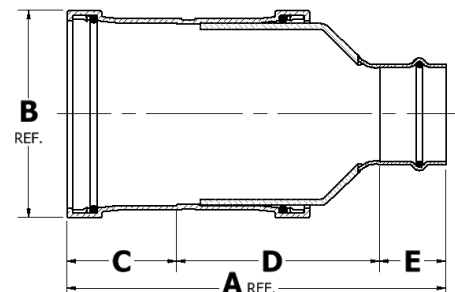
Part Name	Material
Body	UNS C12200 Copper
O-Ring	EPDM
Lubrication	Silicone, ANSI/NSF-61 Listed

APPROVALS

- NSF/ANSI NSF 61 ~ Water Quality
- NSF/ANSI NSF-372 ~ Lead Free (LF)
- IAPMO File Listings: 4861, 6174 & N-4951

DIMENSIONS

Item No.	Description	Dimension (in.)								(lb.)
		A	B	C*	D**	E*	Height	Width	Depth	
10066440	801R 2½x1 CxC	6.75	3.16	1.90	3.89	0.97	3.16	6.75	3.16	2.02
10066441	801R 2½x1¼ CxC	6.62	3.16	1.90	3.68	1.04	3.16	6.62	3.16	1.94
10066442	801R 2½x1½ CxC	6.72	3.16	1.90	3.45	1.38	3.16	6.72	3.16	2.06
10066074	801R 2½x2 CxC	6.68	3.16	1.90	3.38	1.40	3.16	6.68	3.16	1.89
10066444	801R 3x¾ CxC	7.48	3.68	2.10	4.55	0.83	3.68	7.48	3.68	2.70
10066445	801R 3x1½ CxC	7.26	3.68	2.10	3.79	1.38	3.68	7.26	3.68	2.77
10066446	801R 3x2 CxC	7.11	3.68	2.10	3.55	1.47	3.68	7.11	3.68	3.00
10066076	801R 3x2½ CxC	7.63	3.68	2.10	3.63	1.90	3.68	7.63	3.68	3.87
10066447	801R 4x2 CxC	8.62	4.70	2.50	4.65	1.47	4.70	8.62	4.70	5.65
10066151	801R 4x2½ CxC	8.90	4.70	2.50	4.50	1.90	4.70	8.90	4.70	6.01
10066152	801R 4x3 CxC	5.86	2.56	1.51	3.43	0.85	2.56	5.86	2.56	6.62



* Tolerance +/- .045"
** Tolerance +.09 / -.03

Note:
These fittings are crimped two-piece construction.

Elkhart Products Corporation
1255 Oak Street, Elkhart, IN 46514
www.elkhartproducts.com | (574) 264-3181

This specification is provided for reference only. Elkhart Products Corporation reserves the right to change any portion of this specification without notice and without incurring obligation to make such changes to Elkhart products previously or subsequently sold.



SUBMITTAL SHEET

801R Small Diameter Series

APOLLOXPRESS® Press End Copper Reducer Coupling
CxC (¾" x ½" through 2" x 1 ½")



Job Name:	
Job Location:	
Engineer:	
Contractor:	
Tag:	
PO Number:	
Representative:	
Wholesale Distributor:	



DESCRIPTION

The APOLLOXPRESS® 801R Small Diameter Press Reducer Coupling features a Lead-Free dezincification resistant copper body and an EPDM O-Ring. Our Small Diameter APOLLOXPRESS® products are manufactured utilizing proven ASTM materials and standards. Proudly Made In The USA.

FEATURES

- Lead-Free Construction
- Leak-Before-Press Technology
- Compatible with Pro-Press™ Pressing Tools
- Approved for underground installation (per local installation code)
- Use with hard/soft ASTM B88 K, L & M Copper Tube
- Made in USA
- cUPC® Compliant
- ARRA Compliant

APOLLOXPRESS

- Small Diameter Sizes ¾" x ½" through 2" x 1 ½"
- Model 801R, Reducer Coupling

PERFORMANCE RATING

- Maximum Pressure: 200 psi
- Temperature Range: 0°F to 250°F depending on application. Hot Water up to 250°F, Chilled Water down to 33°F

STANDARD MATERIALS

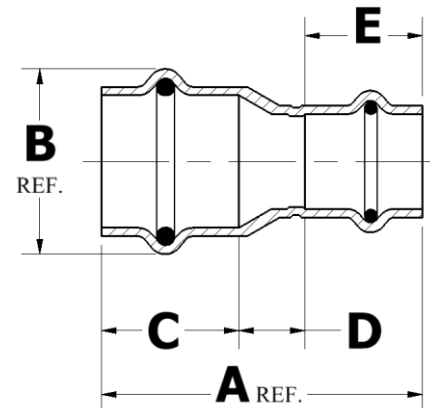
Part Name	Material
Body	UNS C12200 Copper
O-Ring	EPDM
Lubrication	Silicone, ANSI/NSF-61 Listed

APPROVALS

- NSF/ANSI NSF 61 ~ Water Quality
- NSF/ANSI NSF-372 ~ Lead Free (LF)
- IAPMO File Listings: 4861, 6174 & N-4951

DIMENSIONS

Item No.	Description	Dimension (in.)								(lb.)
		A	B	C*	D**	E*	Height	Width	Depth	
10075900	801R ¾x½ CxC	2.14	1.24	0.92	0.44	0.79	1.24	2.14	1.24	0.13
10075144	801R 1x½ CxC	2.37	1.49	0.93	0.64	0.81	1.49	2.37	1.49	0.15
10075898	801R 1x¾ CxC	2.30	1.49	0.98	0.39	0.93	1.49	2.30	1.49	0.18
10066073	801R 1¼x½ CxC	4.12	1.75	1.04	2.23	0.85	1.75	4.12	1.75	0.43
10066001	801R 1¼x¾ CxC	3.98	1.75	1.04	2.09	0.85	1.75	3.98	1.75	0.51
10075896	801R 1¼x1 CxC	2.40	1.75	1.06	0.38	0.97	1.75	2.40	1.75	0.22
10066380	801R 1½x½ CxC	4.87	2.09	1.43	2.63	0.81	2.09	4.87	2.09	0.81
10066381	801R 1½x¾ CxC	4.90	2.09	1.43	2.59	0.89	2.09	4.89	2.09	0.75
10066003	801R 1½x1 CxC	4.60	2.09	1.43	2.25	0.93	2.09	4.60	2.09	0.78
10075128	801R 1½x1¼ CxC	2.87	2.11	1.20	0.63	1.04	2.11	2.87	2.11	0.40
10066082	801R 2x½ CxC	5.87	2.56	1.51	3.44	0.85	2.56	5.86	2.56	0.96
10066398	801R 2x¾ CxC	5.71	2.56	1.59	3.24	0.89	2.56	5.70	2.56	1.08
10066005	801R 2x1 CxC	5.49	2.56	1.59	2.94	0.97	2.56	5.49	2.56	1.11
10066072	801R 2x1¼ CxC	5.18	2.56	1.59	2.55	1.04	2.56	5.18	2.56	1.03
10075130	801R 2x1½ CxC	3.72	2.56	1.51	0.90	1.31	2.56	3.50	2.56	0.64



Elkhart Products Corporation
1255 Oak Street, Elkhart, IN 46514
www.elkhartproducts.com | (574) 264-3181

* Tolerance +/- .045"
** Tolerance +.09 / -.03

Note:
Item numbers in **BOLD**
are crimped two-piece construction.

This specification is provided for reference only. Elkhart Products Corporation reserves the right to change any portion of this specification without notice and without incurring obligation to make such changes to Elkhart products previously or subsequently sold.



SUBMITTAL SHEET

801 Small Diameter Series

APOLLOXPRESS® Press End Copper Coupling
CxC without Stop (½" through 2")



Job Name:	
Job Location:	
Engineer:	
Contractor:	
Tag:	
PO Number:	
Representative:	
Wholesale Distributor:	



DESCRIPTION

The APOLLOXPRESS® 801 Small Diameter Press Coupling features a Lead-Free dezincification resistant copper body and an EPDM O-Ring. Our Small Diameter APOLLOXPRESS® products are manufactured utilizing proven ASTM materials and standards. Proudly Made In The USA.

FEATURES

- Lead-Free Construction
- Leak-Before-Press Technology
- Compatible with Pro-Press™ Pressing Tools
- Approved for underground installation (per local installation code)
- Use with hard/soft ASTM B88 K, L & M Copper Tube
- Made in USA
- cUPC® Compliant
- ARRA Compliant

PERFORMANCE RATING

- Maximum Pressure: 200 psi
- Temperature Range: 0°F to 250°F depending on application. Hot Water up to 250°F, Chilled Water down to 33°F

APPROVALS

- NSF/ANSI NSF 61 – Water Quality
- NSF/ANSI NSF-372 – Lead Free (LF)
- IAPMO File Listings: 4861, 6174 & N-4951

APOLLOXPRESS

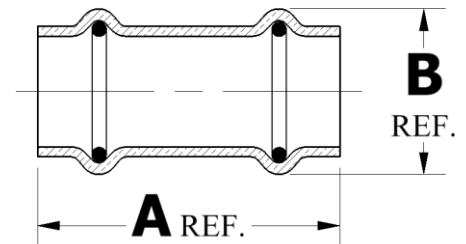
- Small Diameter Sizes ½", ¾", 1", 1 ¼", 1 ½" & 2"
- Model 801, Coupling without Stop C x C

STANDARD MATERIALS

Part Name	Material
Body	UNS C12200 Copper
O-Ring	EPDM
Lubrication	Silicone, ANSI/NSF-61 Listed

DIMENSIONS

Item No.	Description	Dimension (in.)					Weight (lb.)
		A	B	Height	Width	Depth	
10075513	801 ½ CxC	1.72	0.95	0.95	1.72	0.95	0.08
10075515	801 ¾ CxC	1.89	1.24	1.24	1.89	1.24	0.13
10075517	801 1 CxC	2.06	1.49	1.49	2.06	1.49	0.19
10075521	801 1¼ CxC	2.33	1.75	1.75	2.33	1.75	0.25
10075523	801 1½ CxC	3.10	2.09	2.09	3.10	2.09	0.50
10075527	801 2 CxC	3.42	2.56	2.56	3.42	2.56	0.62



Elkhart Products Corporation
1255 Oak Street, Elkhart, IN 46514
www.elkhartproducts.com | (574) 264-3181

This specification is provided for reference only. Elkhart Products Corporation reserves the right to change any portion of this specification without notice and without incurring obligation to make such changes to Elkhart products previously or subsequently sold.



SUBMITTAL SHEET

803 Small Diameter Series

APOLLOXPRESS® Press End Brass Female Adapter
Cx F (½" through 2")



Job Name:	
Job Location:	
Engineer:	
Contractor:	
Tag:	
PO Number:	
Representative:	
Wholesale Distributor:	



DESCRIPTION

The APOLLOXPRESS® 803 Small Diameter Press Female Adapter features a Lead-Free dezincification resistant brass body and an EPDM O-Ring. Our Small Diameter APOLLOXPRESS® products are manufactured utilizing proven ASTM materials and standards. Proudly Made In The USA.

FEATURES

- Lead-Free Construction
- Leak-Before-Press Technology
- Compatible with Pro-Press™ Pressing Tools
- Approved for underground installation (per local installation code)
- Use with hard/soft ASTM B88 K, L & M Copper Tube
- Made in USA
- cUPC® Compliant
- ARRA Compliant

PERFORMANCE RATING

- Maximum Pressure: 200 psi
- Temperature Range: 0°F to 250°F depending on application. Hot Water up to 250°F, Chilled Water down to 33°F

APPROVALS

- NSF/ANSI NSF 61 ~ Water Quality
- NSF/ANSI NSF-372 ~ Lead Free (LF)
- IAPMO File Listings: 4861, 6174 & N-4951

APOLLOXPRESS

- Small Diameter Sizes ½" through 2"
- Model 803, Female Adapter.

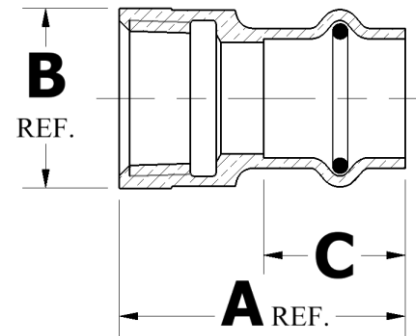
STANDARD MATERIALS

Part Name	Material
Body	UNS C27451 Brass
O-Ring	EPDM
Lubrication	Silicone, ANSI/NSF-61 Listed

DIMENSIONS

Item No.	Description	Dimension (in.)						(lb.)
		A	B	C*	Height	Width	Depth	
10075750	803 ½ Cx F	1.52	1.01	0.76	1.01	1.52	1.01	0.11
10075752	803 ¾ Cx F	1.73	1.25	0.92	1.25	1.73	1.25	0.15
10075754	803 1 Cx F	1.76	1.53	0.92	1.53	1.76	1.53	0.21
10075756	803 1¼ Cx F	1.90	1.93	1.04	1.93	1.90	1.93	0.31
10075758	803 1½ Cx F	2.43	2.20	1.43	2.20	2.43	2.20	0.46
10075760	803 2 Cx F	2.61	2.73	1.59	2.73	2.44	2.73	0.60

* Tolerance +/- .045"



Elkhart Products Corporation
1255 Oak Street, Elkhart, IN 46514
www.elkhartproducts.com | (574) 264-3181

This specification is provided for reference only. Elkhart Products Corporation reserves the right to change any portion of this specification without notice and without incurring obligation to make such changes to Elkhart products previously or subsequently sold.



SUBMITTAL SHEET

803-2 Small Diameter Series

APOLLOXPRESS® Press End Brass Female Street Adapter
FTGxF (½" through 2")



Job Name:	
Job Location:	
Engineer:	
Contractor:	
Tag:	
PO Number:	
Representative:	
Wholesale Distributor:	



DESCRIPTION

The APOLLOXPRESS® 803-2 Small Diameter Press Female Street Adapter features a Lead-Free dezincification resistant brass body and an EPDM O-Ring. Our Small Diameter APOLLOXPRESS® products are manufactured utilizing proven ASTM materials and standards. Proudly Made In The USA.

FEATURES

- Lead-Free Construction
- Leak-Before-Press Technology
- Compatible with Pro-Press™ Pressing Tools
- Approved for underground installation (per local installation code)
- Use with hard/soft ASTM B88 K, L & M Copper Tube
- Made in USA
- cUPC® Compliant
- ARRA Compliant

PERFORMANCE RATING

- Maximum Pressure: 200 psi
- Temperature Range: 0°F to 250°F depending on application. Hot Water up to 250°F, Chilled Water down to 33°F

APPROVALS

- NSF/ANSI NSF 61 ~ Water Quality
- NSF/ANSI NSF-372 ~ Lead Free (LF)
- IAPMO File Listings: 4861, 6174 & N-4951

APOLLOXPRESS

- Small Diameter Sizes ½" through 2"
- Model 803-2, Female Street Adapter.

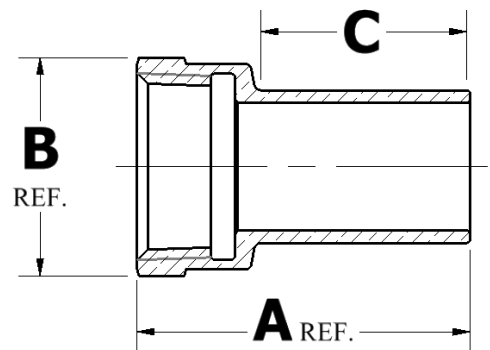
STANDARD MATERIALS

Part Name	Material
Body	UNS C27451 Brass
O-Ring	EPDM
Lubrication	Silicone, ANSI/NSF-61 Listed

DIMENSIONS

Item No.	Description	Dimension (in.)					(lb.)
		A	B	C*	Width	Depth	
10075762	803-2 ½ FTGxF	1.71	1.02	1.04	1.71	1.02	0.10
10075768	803-2 ¾ FTGxF	1.91	1.25	1.19	1.91	1.25	0.17
10075772	803-2 1 FTGxF	2.03	1.53	1.19	2.03	1.53	0.24
10075774	803-2 1¼ FTGxF	2.19	1.93	1.31	2.19	1.93	0.34
10075776	803-2 1½ FTGxF	2.57	2.20	1.69	2.57	2.20	0.46
10075778	803-2 2 FTGxF	2.78	2.74	1.84	2.78	2.74	0.75

* Tolerance +/- .04"



Elkhart Products Corporation
1255 Oak Street, Elkhart, IN 46514
www.elkhartproducts.com | (574) 264-3181

This specification is provided for reference only. Elkhart Products Corporation reserves the right to change any portion of this specification without notice and without incurring obligation to make such changes to Elkhart products previously or subsequently sold.



SUBMITTAL SHEET

803R Small Diameter Series

APOLLOXPRESS® Press End Brass Female Reducing Adapter
CxF (½" x ⅜" through 1 ½" x 1 ¼")



Job Name:	
Job Location:	
Engineer:	
Contractor:	
Tag:	
PO Number:	
Representative:	
Wholesale Distributor:	



DESCRIPTION

The APOLLOXPRESS® 803R Small Diameter Press Female Reducing Adapter features a Lead-Free dezincification resistant brass body and an EPDM O-Ring. Our Small Diameter APOLLOXPRESS® products are manufactured utilizing proven ASTM materials and standards. Proudly Made In The USA.

FEATURES

- Lead-Free Construction
- Leak-Before-Press Technology
- Compatible with Pro-Press™ Pressing Tools
- Approved for underground installation (per local installation code)
- Use with hard/soft ASTM B88 K, L & M Copper Tube
- Made in USA
- cUPC® Compliant
- ARRA Compliant

APOLLOXPRESS

- Small Diameter Sizes ½" x ⅜" through 1 ½" x 1 ¼"
- Model 803R, Female Reducing Adapter.

PERFORMANCE RATING

- Maximum Pressure: 200 psi
- Temperature Range: 0°F to 250°F depending on application. Hot Water up to 250°F, Chilled Water down to 33°F

APPROVALS

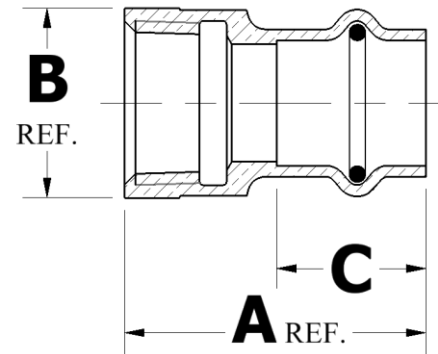
- NSF/ANSI NSF 61 ~ Water Quality
- NSF/ANSI NSF-372 ~ Lead Free (LF)
- IAPMO File Listings: 4861, 6174 & N-4951

STANDARD MATERIALS

Part Name	Material
Body	UNS C27451 Brass
O-Ring	EPDM
Lubrication	Silicone, ANSI/NSF-61 Listed

DIMENSIONS

Item No.	Description	Dimension (in.)						(lb.)
		A	B	C*	Height	Width	Depth	
10075780	803R ½x⅜ CxF	1.34	0.87	0.76	0.87	1.34	0.87	0.08
10075782	803R ½x¾ CxF	1.62	1.25	0.76	1.25	1.62	1.25	0.15
10075784	803R ¾x½ CxF	1.50	1.24	0.92	1.01	1.50	1.01	0.11
10075796	803R 1x½ CxF	1.55	1.49	1.03	1.49	1.55	1.49	0.15
10075798	803R 1x¾ CxF	1.56	1.49	0.92	1.49	1.56	1.49	0.17
10075800	803R 1x1¼ CxF	1.96	1.93	0.92	1.93	1.96	1.93	0.31
10075786	803R 1½x½ CxF	1.79	1.75	1.04	1.75	1.79	1.75	0.25
10075788	803R 1½x1 CxF	1.80	1.75	1.04	1.75	1.80	1.75	0.23
10075790	803R 1½x1½ CxF	1.98	2.20	1.04	2.20	1.98	2.20	0.39
10075792	803R 1½x¾ CxF	2.03	2.09	1.43	2.09	2.03	2.09	0.30
10075794	803R 1½x1¼ CxF	2.19	2.09	1.43	2.09	2.19	2.09	0.34



* Tolerance +/- .045"

Elkhart Products Corporation
1255 Oak Street, Elkhart, IN 46514
www.elkhartproducts.com | (574) 264-3181

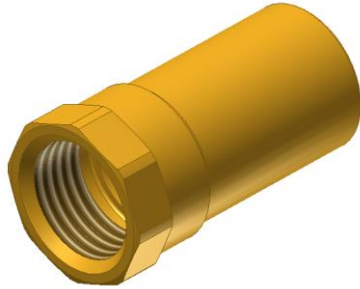
This specification is provided for reference only. Elkhart Products Corporation reserves the right to change any portion of this specification without notice and without incurring obligation to make such changes to Elkhart products previously or subsequently sold.



SUBMITTAL SHEET

803-2-R Small Diameter Series

APOLLOXPRESS® Press End Brass Female Street Adapter
Reducing FTGxF (N.P.T.) (1/2" x 3/8" through 1 1/4" x 1 1/2")



Job Name:	
Job Location:	
Engineer:	
Contractor:	
Tag:	
PO Number:	
Representative:	
Wholesale Distributor:	



DESCRIPTION

The APOLLOXPRESS® 803R-2-R Small Diameter Press Reducing Female Street Adapter features a Lead-Free dezincification resistant brass body and an EPDM O-Ring. Our Small Diameter APOLLOXPRESS® products are manufactured utilizing proven ASTM materials and standards. Proudly Made In The USA.

FEATURES

- Lead-Free Construction
- Leak-Before-Press Technology
- Compatible with Pro-Press™ Pressing Tools
- Approved for underground installation (per local installation code)
- Use with hard/soft ASTM B88 K, L & M Copper Tube
- Made in USA
- cUPC® Compliant
- ARRA Compliant

PERFORMANCE RATING

- Maximum Pressure: 200 psi
- Temperature Range: 0°F to 250°F depending on application. Hot Water up to 250°F, Chilled Water down to 33°F

APPROVALS

- NSF/ANSI NSF 61 ~ Water Quality
- NSF/ANSI NSF-372 ~ Lead Free (LF)
- IAPMO File Listings: 4861, 6174 & N-4951

APOLLOXPRESS

- Small Diameter Sizes 1/2" x 3/8" through 1 1/4" x 1 1/2"
- Model 803-2-R, Female Street Adapter with female N.P.T.

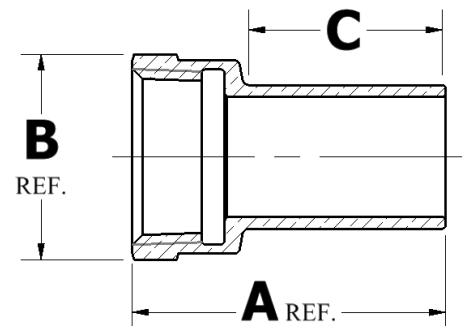
STANDARD MATERIALS

Part Name	Material
Body	UNS C27451 Brass
O-Ring	EPDM
Lubrication	Silicone, ANSI/NSF-61 Listed

DIMENSIONS

Item No.	Description	Dimension (in.)						(lb.)
		A	B	C*	Height	Width	Depth	
10075764	803-2 1/2x3/8 FTGxF	1.56	0.87	1.04	0.87	1.56	0.87	0.08
10075766	803-2 1/2x3/4 FTGxF	1.79	1.26	1.04	1.26	1.79	1.26	0.14
10075770	803-2 3/4x1/2 FTGxF	1.84	1.02	1.20	1.02	1.84	1.02	0.13
10075804	803-2 1x1/2 FTGxF	1.65	1.13	1.19	1.13	1.65	1.13	0.15
10075802	803-2 1 1/4x1/2 FTGxF	1.90	1.38	1.31	1.38	1.90	1.38	0.23

* Tolerance +/- .04"



Elkhart Products Corporation
1255 Oak Street, Elkhart, IN 46514
www.elkhartproducts.com | (574) 264-3181

This specification is provided for reference only. Elkhart Products Corporation reserves the right to change any portion of this specification without notice and without incurring obligation to make such changes to Elkhart products previously or subsequently sold.



SUBMITTAL SHEET

804 Large Diameter Series

APOLLOXPRESS® Press End Copper Adapter
CxM (2 1/2" through 4")



Job Name:	
Job Location:	
Engineer:	
Contractor:	
Tag:	
PO Number:	
Representative:	
Wholesale Distributor:	



DESCRIPTION

The APOLLOXPRESS® 804 Large Diameter Press Adapter features a Lead-Free dezincification resistant copper body, a patented stainless-steel solid cross-section Grab Ring, a Nylon Separation Ring and an EPDM O-Ring. Our Large Diameter APOLLOXPRESS® products are manufactured utilizing proven ASTM materials and standards. Proudly Made In The USA.

FEATURES

- Lead-Free Construction
- Leak-Before-Press Technology
- Visual element, Break Away Band (Pat. Pending)
- Compatible with XL-C™ Pressing Tools
- Approved for underground installation (per local installation code)
- Use with hard/soft ASTM B88 K, L & M Copper Tube
- Made in USA
- cUPC® Compliant
- ARRA Compliant

PERFORMANCE RATING

- Maximum Pressure: 200 psi
- Temperature Range: 0°F to 250°F depending on application. Hot Water up to 250°F, Chilled Water down to 33°F

APPROVALS

- NSF/ANSI NSF 61 – Water Quality
- NSF/ANSI NSF-372 – Lead Free (LF)
- IAPMO File Listings: 4861, 6174 & N-4951

APOLLOXPRESS

- Large Diameter Sizes 2 1/2", 3", 4"
- Model 804, Fitting Adapter.

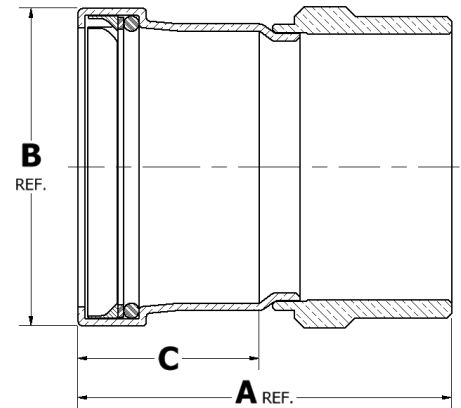
STANDARD MATERIALS

Part Name	Material
Body	UNS C12200 Copper
Grab Ring	304 / 306 Stainless Steel
Spacer Ring	Nylon 66
O-Ring	EPDM
Lubrication	Silicone, ANSI/NSF-61 Listed

DIMENSIONS

Item No.	Description	Dimension (in.)						(lb.)
		A	B	C*	Height	Width	Depth	
10061982	804 2 1/2 CxM	4.11	3.16	1.90	3.16	4.11	3.16	1.52
10061987	804 3 CxM	4.35	3.68	2.10	3.68	4.35	3.68	2.33
10061992	804 4 CxM	5.43	4.70	2.50	4.70	5.43	2.50	4.21

* Tolerance +/- .02"



Elkhart Products Corporation

1255 Oak Street, Elkhart, IN 46514
www.elkhartproducts.com | (574) 264-3181

This specification is provided for reference only. Elkhart Products Corporation reserves the right to change any portion of this specification without notice and without incurring obligation to make such changes to Elkhart products previously or subsequently sold.



SUBMITTAL SHEET

804 Small Diameter Series

APOLLOXPRESS® Press End **Brass Male Adapter**
CxM (½" through 2")



Job Name:	
Job Location:	
Engineer:	
Contractor:	
Tag:	
PO Number:	
Representative:	
Wholesale Distributor:	

APOLLOXPRESS
Your Single Source Solution for Press Technology



DESCRIPTION

The APOLLOXPRESS® 804 Small Diameter Press Male Adapter features a Lead-Free dezincification resistant brass body and an EPDM O-Ring. Our Small Diameter APOLLOXPRESS® products are manufactured utilizing proven ASTM materials and standards. Proudly Made In The USA.

FEATURES

- Lead-Free Construction
- Leak-Before-Press Technology
- Compatible with Pro-Press™ Pressing Tools
- Approved for underground installation (per local installation code)
- Use with hard/soft ASTM B88 K, L & M Copper Tube
- Made in USA
- cUPC® Compliant
- ARRA Compliant

PERFORMANCE RATING

- Maximum Pressure: 200 psi
- Temperature Range: 0°F to 250°F depending on application. Hot Water up to 250°F, Chilled Water down to 33°F

APPROVALS

- NSF/ANSI NSF 61 ~ Water Quality
- NSF/ANSI NSF-372 ~ Lead Free (LF)
- IAPMO File Listings: 4861, 6174 & N-4951

APOLLOXPRESS

- Small Diameter Sizes ½" through 2"
- Model 804, Male Adapter.

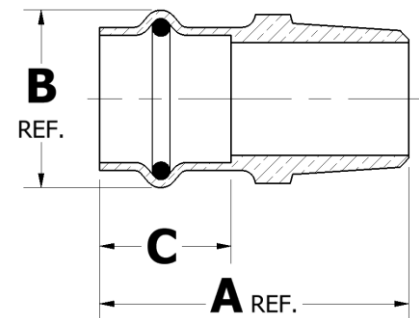
STANDARD MATERIALS

Part Name	Material
Body	UNS C27451 Brass
O-Ring	EPDM
Lubrication	Silicone, ANSI/NSF-61 Listed

DIMENSIONS

Item No.	Description	Dimension (in.)						(lb.)
		A	B	C*	Height	Width	Depth	
10075806	804 ½ CxM	1.92	0.93	0.76	0.93	1.92	0.93	0.13
10075808	804 ¾ CxM	2.15	1.26	0.92	1.26	2.15	1.26	0.21
10075844	804 1 CxM	2.39	1.50	0.92	1.50	2.39	1.50	0.31
10075810	804 1¼ CxM	2.39	1.71	1.04	1.71	2.39	1.71	0.35
10075812	804 1½ CxM	2.86	2.13	1.31	2.13	2.86	2.13	0.58
10075814	804 2 CxM	2.97	2.60	1.59	2.60	2.97	2.60	0.80

* Tolerance +/- .045"



Elkhart Products Corporation
1255 Oak Street, Elkhart, IN 46514
www.elkhartproducts.com | (574) 264-3181

This specification is provided for reference only. Elkhart Products Corporation reserves the right to change any portion of this specification without notice and without incurring obligation to make such changes to Elkhart products previously or subsequently sold.

SUBMITTAL SHEET

804-2 Small Diameter Series

APOLLOXPRESS® Press End Brass Male Street Adapter
FTGxM (½" through 2")



Job Name:	
Job Location:	
Engineer:	
Contractor:	
Tag:	
PO Number:	
Representative:	
Wholesale Distributor:	



DESCRIPTION

The APOLLOXPRESS® 804-2 Small Diameter Press Male Street Adapter features a Lead-Free dezincification resistant brass body and an EPDM O-Ring. Our Small Diameter APOLLOXPRESS® products are manufactured utilizing proven ASTM materials and standards. Proudly Made In The USA.

FEATURES

- Lead-Free Construction
- Leak-Before-Press Technology
- Compatible with Pro-Press™ Pressing Tools
- Approved for underground installation (per local installation code)
- Use with hard/soft ASTM B88 K, L & M Copper Tube
- Made in USA
- cUPC® Compliant
- ARRA Compliant

APOLLOXPRESS

- Small Diameter Sizes ½" through 2"
- Model 804-2, Male Street Adapter.

PERFORMANCE RATING

- Maximum Pressure: 200 psi
- Temperature Range: 0°F to 250°F depending on application. Hot Water up to 250°F, Chilled Water down to 33°F

APPROVALS

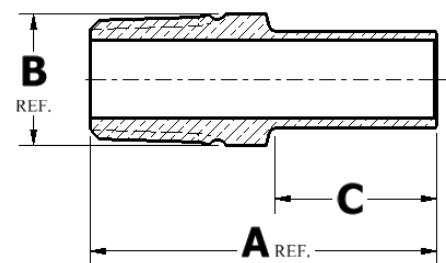
- NSF/ANSI NSF 61 ~ Water Quality
- NSF/ANSI NSF-372 ~ Lead Free (LF)
- IAPMO File Listings: 4861, 6174 & N-4951

STANDARD MATERIALS

Part Name	Material
Body	UNS C27451 Brass
O-Ring	EPDM
Lubrication	Silicone, ANSI/NSF-61 Listed

DIMENSIONS

Item No.	Description	Dimension (in.)						(lb.)
		A	B	C*	Height	Width	Depth	
10075816	804-2 ½ FTGxM	2.23	0.84	1.03	0.84	2.23	0.84	0.15
10075822	804-2 ¾ FTGxM	2.40	1.05	1.19	1.05	2.40	1.05	0.21
10075826	804-2 1 FTGxM	2.72	1.31	1.20	1.31	2.72	1.31	0.33
10075828	804-2 1¼ FTGxM	2.82	1.66	1.31	1.66	2.82	1.66	0.51
10075830	804-2 1½ FTGxM	3.27	1.90	1.69	1.90	3.27	1.90	0.68
10075834	804-2 2 FTGxM	3.46	2.37	1.83	2.37	3.46	2.37	0.78



* Tolerance +/- .04"

Elkhart Products Corporation
1255 Oak Street, Elkhart, IN 46514
www.elkhartproducts.com | (574) 264-3181

This specification is provided for reference only. Elkhart Products Corporation reserves the right to change any portion of this specification without notice and without incurring obligation to make such changes to Elkhart products previously or subsequently sold.



SUBMITTAL SHEET

804R Small Diameter Series

APOLLOXPRESS® Press End Brass Male Reducing Adapter
Cx F (1/2" x 3/8" through 2" x 1 1/2")



DESCRIPTION

The APOLLOXPRESS® 804R Small Diameter Press Male Reducing Adapter features a Lead-Free dezincification resistant brass body and an EPDM O-Ring. Our Small Diameter APOLLOXPRESS® products are manufactured utilizing proven ASTM materials and standards. Proudly Made In The USA.



Job Name:	
Job Location:	
Engineer:	
Contractor:	
Tag:	
PO Number:	
Representative:	
Wholesale Distributor:	

FEATURES

- Lead-Free Construction
- Leak-Before-Press Technology
- Compatible with Pro-Press™ Pressing Tools
- Approved for underground installation (per local installation code)
- Use with hard/soft ASTM B88 K, L & M Copper Tube
- Made in USA
- cUPC® Compliant
- ARRA Compliant

PERFORMANCE RATING

- Maximum Pressure: 200 psi
- Temperature Range: 0°F to 250°F depending on application. Hot Water up to 250°F, Chilled Water down to 33°F

APPROVALS

- NSF/ANSI NSF 61 ~ Water Quality
- NSF/ANSI NSF-372 ~ Lead Free (LF)
- IAPMO File Listings: 4861, 6174 & N-4951

APOLLOXPRESS

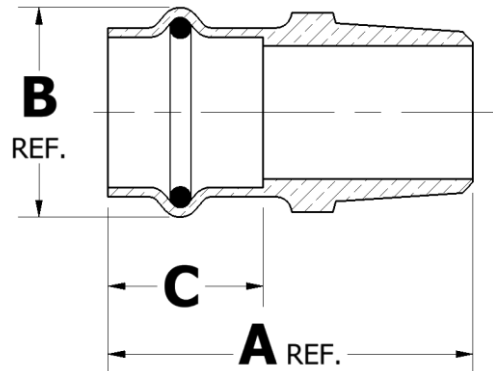
- Small Diameter Sizes 1/2" x 3/8" through 2" x 1 1/2"
- Model 804R, Male Reducing Adapter.

STANDARD MATERIALS

Part Name	Material
Body	UNS C27451 Brass
O-Ring	EPDM
Lubrication	Silicone, ANSI/NSF-61 Listed

DIMENSIONS

Item No.	Description	Dimension (in.)						(lb.)
		A	B	C*	Height	Width	Depth	
10075836	804R 1/2x3/8 CxM	1.79	0.93	0.76	0.93	1.79	0.93	0.11
10075838	804R 1/2x3/4 CxM	1.86	1.05	0.76	1.05	1.86	1.05	0.16
10075840	804R 3/4x1/2 CxM	2.21	1.24	0.92	1.26	2.21	1.26	0.22
10075842	804R 3/4x1 CxM	2.60	1.50	0.92	1.50	2.60	1.50	0.45
10075854	804R 1x3/4 CxM	2.24	1.50	0.92	1.50	2.24	1.50	0.30
10075856	804R 1x1 1/4 CxM	2.44	1.71	0.92	1.71	2.44	1.71	0.41
10075846	804R 1 1/4x1 CxM	2.42	1.71	1.04	1.71	2.42	1.71	0.38
10075848	804R 1 1/4x1 1/2 CxM	2.62	1.90	1.04	1.90	2.62	1.90	0.50
10075850	804R 1 1/2x1 1/4 CxM	2.73	2.12	1.43	2.12	2.73	2.12	0.60
10075852	803R 1 1/2x2 CxM	2.82	2.59	1.43	2.59	2.82	2.59	0.91
10075858	804R 2x1 1/2 CxM	3.10	2.57	1.59	2.57	3.10	2.57	0.86



Elkhart Products Corporation
1255 Oak Street, Elkhart, IN 46514
www.elkhartproducts.com | (574) 264-3181

* Tolerance +/- .045"

This specification is provided for reference only. Elkhart Products Corporation reserves the right to change any portion of this specification without notice and without incurring obligation to make such changes to Elkhart products previously or subsequently sold.



SUBMITTAL SHEET

804-2-R Small Diameter Series

APOLLOXPRESS® Press End Brass Male Street Adapter
Reducing FTGxM (N.P.T.) (1/2" x 3/8" through 1" x 3/4")



Job Name:	
Job Location:	
Engineer:	
Contractor:	
Tag:	
PO Number:	
Representative:	
Wholesale Distributor:	



DESCRIPTION

The APOLLOXPRESS® 804R-2 Small Diameter Press Reducing Male Street Adapter features a Lead-Free dezincification resistant brass body and an EPDM O-Ring. Our Small Diameter APOLLOXPRESS® products are manufactured utilizing proven ASTM materials and standards. Proudly Made In The USA.

FEATURES

- Lead-Free Construction
- Leak-Before-Press Technology
- Male N.P.T. per ANSI/ASME B1.20.1
- Compatible with Pro-Press™ Pressing Tools
- Approved for underground installation (per local installation code)
- Use with hard/soft ASTM B88 K, L & M Copper Tube
- Made in USA
- cUPC® Compliant
- ARRA Compliant

APOLLOXPRESS

- Small Diameter Sizes 1/2" x 3/8" through 1" x 3/4"
- Model 804-2, Male Street Adapter with male N.P.T..

PERFORMANCE RATING

- Maximum Pressure: 200 psi
- Temperature Range: 0°F to 250°F depending on application. Hot Water up to 250°F, Chilled Water down to 33°F

APPROVALS

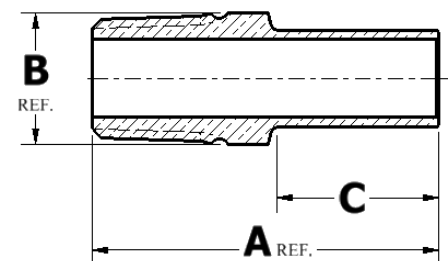
- NSF/ANSI NSF 61 ~ Water Quality
- NSF/ANSI NSF-372 ~ Lead Free (LF)
- IAPMO File Listings: 4861, 6174 & N-4951

STANDARD MATERIALS

Part Name	Material
Body	UNS C27451 Brass
O-Ring	EPDM
Lubrication	Silicone, ANSI/NSF-61 Listed

DIMENSIONS

Item No.	Description	Dimension (in.)						(lb.)
		A	B	C*	Height	Width	Depth	
10075818	804-2 1/2x3/8 FTGxM	1.99	0.68	1.04	0.68	1.99	0.68	0.08
10075820	804-2 1/2x3/4 FTGxM	2.42	1.05	1.19	1.05	2.42	1.05	0.25
10075824	804-2 3/4x1/2 FTGxM	2.31	0.98	1.19	0.98	2.31	0.98	0.14
10075832	804-2 1x3/4 FTGxM	2.55	1.32	1.19	1.32	2.55	1.32	0.27



* Tolerance +/- .04"

Elkhart Products Corporation
1255 Oak Street, Elkhart, IN 46514
www.elkhartproducts.com | (574) 264-3181

This specification is provided for reference only. Elkhart Products Corporation reserves the right to change any portion of this specification without notice and without incurring obligation to make such changes to Elkhart products previously or subsequently sold.



SUBMITTAL SHEET

806 Large Diameter Series

APOLLOXPRESS® Press End Copper Elbow
45° CxC (2 1/2" through 4")



Job Name:	
Job Location:	
Engineer:	
Contractor:	
Tag:	
PO Number:	
Representative:	
Wholesale Distributor:	



DESCRIPTION

The APOLLOXPRESS® 806 Large Diameter Press Elbow features a Lead-Free dezincification resistant copper body, a patented stainless-steel solid cross-section Grab Ring, a Nylon Separation Ring and an EPDM O-Ring. Our Large Diameter APOLLOXPRESS® products are manufactured utilizing proven ASTM materials and standards. Proudly Made In The USA.

FEATURES

- Lead-Free Construction
- Leak-Before-Press Technology
- Visual element, Break Away Band (Pat. Pending)
- Compatible with XL-C™ Pressing Tools
- Approved for underground installation (per local installation code)
- Use with hard/soft ASTM B88 K, L & M Copper Tube
- Made in USA
- cUPC® Compliant
- ARRA Compliant

PERFORMANCE RATING

- Maximum Pressure: 200 psi
- Temperature Range: 0°F to 250°F depending on application. Hot Water up to 250°F, Chilled Water down to 33°F

APPROVALS

- NSF/ANSI NSF 61 – Water Quality
- NSF/ANSI NSF-372 – Lead Free (LF)
- IAPMO File Listings: 4861, 6174 & N-4951

APOLLOXPRESS

- Large Diameter Sizes 2 1/2", 3" & 4"
- Model 806, 45° Elbow C x C.

STANDARD MATERIALS

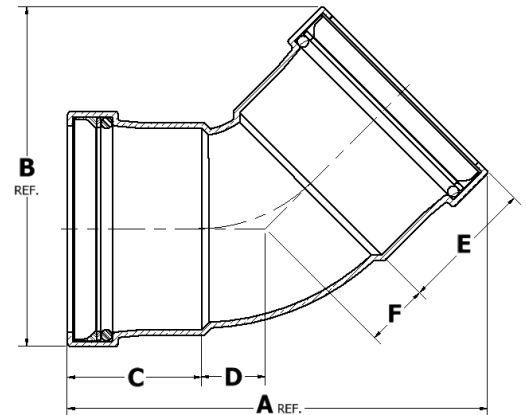
Part Name	Material
Body	UNS C12200 Copper
Grab Ring	304 / 306 Stainless Steel
Spacer Ring	Nylon 66
O-Ring	EPDM
Lubrication	Silicone, ANSI/NSF-61 Listed

DIMENSIONS

Item No.	Description	Dimension (in.)									(lb.)
		A	B	C*	D**	E*	F**	Height	Width	Depth	
10062052	806 2 1/2 CxC	5.89	4.67	1.90	0.91	1.90	0.91	4.67	5.89	3.16	1.39
10062057	806 3 CxC	6.58	5.33	2.10	1.00	2.10	1.00	5.33	6.58	3.68	1.80
10062062	806 4 CxC	8.10	6.67	2.50	1.28	2.50	1.28	6.67	8.10	4.70	3.51

* Tolerance +/- .02"

** Tolerance +.15 / -.03



Elkhart Products Corporation

1255 Oak Street, Elkhart, IN 46514

www.elkhartproducts.com | (574) 264-3181

This specification is provided for reference only. Elkhart Products Corporation reserves the right to change any portion of this specification without notice and without incurring obligation to make such changes to Elkhart products previously or subsequently sold.



SUBMITTAL SHEET

806 Small Diameter Series

APOLLOXPRESS® Press End Copper Elbow
45° CxC (½" through 2")



Job Name:	
Job Location:	
Engineer:	
Contractor:	
Tag:	
PO Number:	
Representative:	
Wholesale Distributor:	



DESCRIPTION

The APOLLOXPRESS® 806 Small Diameter Press Elbow features a Lead-Free dezincification resistant copper body and an EPDM O-Ring. Our Small Diameter APOLLOXPRESS® products are manufactured utilizing proven ASTM materials and standards. Proudly Made In The USA.

FEATURES

- Lead-Free Construction
- Leak-Before-Press Technology
- Compatible with Pro-Press™ Pressing Tools
- Approved for underground installation (per local installation code)
- Use with hard/soft ASTM B88 K, L & M Copper Tube
- Made in USA
- cUPC® Compliant
- ARRA Compliant

PERFORMANCE RATING

- Maximum Pressure: 200 psi
- Temperature Range: 0°F to 250°F depending on application. Hot Water up to 250°F, Chilled Water down to 33°F

APPROVALS

- NSF/ANSI NSF 61 – Water Quality
- NSF/ANSI NSF-372 – Lead Free (LF)
- IAPMO File Listings: 4861, 6174 & N-4951

APOLLOXPRESS

- Small Diameter Sizes ½" through 2"
- Model 806, 45° Elbow C x C

STANDARD MATERIALS

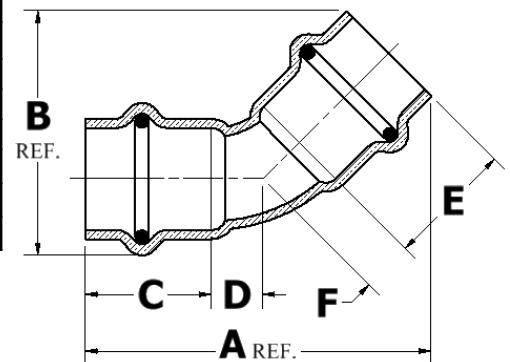
Part Name	Material
Body	UNS C12200 Copper
O-Ring	EPDM
Lubrication	Silicone, ANSI/NSF-61 Listed

DIMENSIONS

Item No.	Description	Dimension (in.)									(lb.)
		A	B	C*	D**	E*	F**	Height	Width	Depth	
10075060	806 ½ CxC	2.14	1.52	0.78	0.32	0.78	0.32	1.52	2.01	0.95	0.10
10075062	806 ¾ CxC	2.62	1.91	0.92	0.41	0.92	0.41	1.91	2.62	1.24	0.16
10075064	806 1 CxC	3.10	2.28	0.97	0.59	0.97	0.59	2.28	3.10	1.49	0.24
10075090	806 1¼ CxC	3.62	2.69	1.09	0.72	1.09	0.72	2.69	3.62	1.75	0.34
10075092	806 1½ CxC	4.20	3.16	1.31	0.78	1.31	0.78	3.16	4.20	2.09	0.59
10075094	806 2 CxC	5.12	3.88	1.51	1.02	1.51	1.02	3.88	5.12	2.60	0.83

* Tolerance +/- .045"

** Tolerance +.09 / -.03



Elkhart Products Corporation

1255 Oak Street, Elkhart, IN 46514

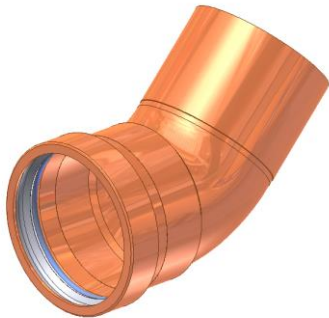
www.elkhartproducts.com | (574) 264-3181

This specification is provided for reference only. Elkhart Products Corporation reserves the right to change any portion of this specification without notice and without incurring obligation to make such changes to Elkhart products previously or subsequently sold.



SUBMITTAL SHEET

806-2 Large Diameter Series APOLLOXPRESS® Press End Copper Elbow 45° Street FTGxC (2 ½" through 4")



Job Name:	
Job Location:	
Engineer:	
Contractor:	
Tag:	
PO Number:	
Representative:	
Wholesale Distributor:	



DESCRIPTION

The APOLLOXPRESS® 806-2 Large Diameter Press Elbow features a Lead-Free dezincification resistant copper body, a patented stainless-steel solid cross-section Grab Ring, a Nylon Separation Ring and an EPDM O-Ring. Our Large Diameter APOLLOXPRESS® products are manufactured utilizing proven ASTM materials and standards. Proudly Made In The USA.

FEATURES

- Lead-Free Construction
- Leak-Before-Press Technology
- Visual element, Break Away Band (Pat. Pending)
- Compatible with XL-C™ Pressing Tools
- Approved for underground installation (per local installation code)
- Use with hard/soft ASTM B88 K, L & M Copper Tube
- Made in USA
- cUPC® Compliant
- ARRA Compliant

PERFORMANCE RATING

- Maximum Pressure: 200 psi
- Temperature Range: 0°F to 250°F depending on application. Hot Water up to 250°F, Chilled Water down to 33°F

APPROVALS

- NSF/ANSI NSF 61 – Water Quality
- NSF/ANSI NSF-372 – Lead Free (LF)
- IAPMO File Listings: 4861, 6174 & N-4951

APOLLOXPRESS

- Large Diameter Sizes 2 ½", 3" & 4"
- Model 806-2, 45° Street Elbow FTG x C

STANDARD MATERIALS

Part Name	Material
Body	UNS C12200 Copper
Grab Ring	304 / 306 Stainless Steel
Spacer Ring	Nylon 66
O-Ring	EPDM
Lubrication	Silicone, ANSI/NSF-61 Listed

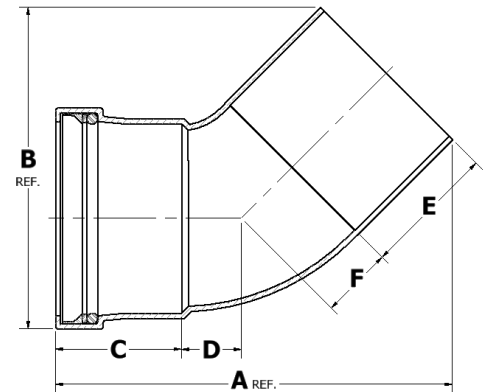
DIMENSIONS

Item No.	Description	Dimension (in.)									(lb.)
		A	B	C*	D**	E***	F**	Height	Width	Depth	
10062037	806-2 2½ FTGxC	5.97	4.74	1.90	0.91	2.09	3.16	4.74	5.97	3.16	1.34
10062042	806-2 3 FTGxC	6.62	5.36	2.10	1.00	2.25	3.41	5.36	6.62	3.68	1.73
10062047	806-2 4 FTGxC	8.18	6.74	2.50	1.28	2.63	4.16	6.74	8.18	4.70	3.53

* Tolerance +/- .02"

** Tolerance +.15 / -.03

*** Tolerance +.12 / -.00



Elkhart Products Corporation

1255 Oak Street, Elkhart, IN 46514

www.elkhartproducts.com | (574) 264-3181

This specification is provided for reference only. Elkhart Products Corporation reserves the right to change any portion of this specification without notice and without incurring obligation to make such changes to Elkhart products previously or subsequently sold.



SUBMITTAL SHEET

806-2 Small Diameter Series

APOLLOXPRESS® Press End Copper Street Elbow
45° FTGxC (½" through 2")



Job Name:	
Job Location:	
Engineer:	
Contractor:	
Tag:	
PO Number:	
Representative:	
Wholesale Distributor:	

APOLLOXPRESS
Your Single Source Solution for Press Technology



DESCRIPTION

The APOLLOXPRESS® 806-2 Small Diameter Press Street Elbow features a Lead-Free dezincification resistant copper body and an EPDM O-Ring. Our Small Diameter APOLLOXPRESS® products are manufactured utilizing proven ASTM materials and standards. Proudly Made In The USA.

FEATURES

- Lead-Free Construction
- Leak-Before-Press Technology
- Compatible with Pro-Press™ Pressing Tools
- Approved for underground installation (per local installation code)
- Use with hard/soft ASTM B88 K, L & M Copper Tube
- Made in USA
- cUPC® Compliant
- ARRA Compliant

PERFORMANCE RATING

- Maximum Pressure: 200 psi
- Temperature Range: 0°F to 250°F depending on application. Hot Water up to 250°F, Chilled Water down to 33°F

APPROVALS

- NSF/ANSI NSF 61 – Water Quality
- NSF/ANSI NSF-372 – Lead Free (LF)
- IAPMO File Listings: 4861, 6174 & N-4951

APOLLOXPRESS

- Small Diameter Sizes ½" through 2"
- Model 806-2, 45° Street Elbow FTG x C

STANDARD MATERIALS

Part Name	Material
Body	UNS C12200 Copper
O-Ring	EPDM
Lubrication	Silicone, ANSI/NSF-61 Listed

DIMENSIONS

Item No.	Description	Dimension (in.)									(lb.)
		A	B	C*	D**	E***	F**	Height	Width	Depth	
10075054	806-2 ½ FTGxC	2.60	1.89	0.76	0.43	1.00	1.69	1.89	2.60	0.95	0.11
10075056	806-2 ¾ FTGxC	2.96	2.25	0.92	0.41	1.38	1.88	2.25	2.96	1.24	0.16
10075058	806-2 1 FTGxC	3.23	2.33	0.93	0.71	1.16	1.69	2.33	3.23	1.49	0.25
10075084	806-2 1¼ FTGxC	3.67	2.73	1.09	0.72	1.19	1.94	2.73	3.67	1.75	0.33
10075086	806-2 1½ FTGxC	4.09	3.06	1.31	0.78	1.16	2.02	3.06	4.09	2.11	0.59
10075088	806-2 2 FTGxC	5.29	3.95	1.59	1.06	1.65	2.72	3.95	5.29	2.55	0.78

* Tolerance +/- .045"

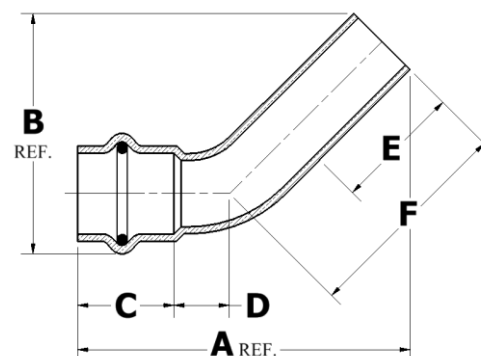
** Tolerance +.09 / -.03

*** Tolerance +.06 / -.00

Elkhart Products Corporation

1255 Oak Street, Elkhart, IN 46514

www.elkhartproducts.com | (574) 264-3181



This specification is provided for reference only. Elkhart Products Corporation reserves the right to change any portion of this specification without notice and without incurring obligation to make such changes to Elkhart products previously or subsequently sold.

SUBMITTAL SHEET

807 Small Diameter Series

APOLLOXPRESS® Press End Copper Elbow
90° CxC (½" through 2")



Job Name:	
Job Location:	
Engineer:	
Contractor:	
Tag:	
PO Number:	
Representative:	
Wholesale Distributor:	



DESCRIPTION

The APOLLOXPRESS® 807 Small Diameter Press Elbow features a Lead-Free dezincification resistant copper body and an EPDM O-Ring. Our Small Diameter APOLLOXPRESS® products are manufactured utilizing proven ASTM materials and standards. Proudly Made In The USA.

FEATURES

- Lead-Free Construction
- Leak-Before-Press Technology
- Compatible with Pro-Press™ Pressing Tools
- Approved for underground installation (per local installation code)
- Use with hard/soft ASTM B88 K, L & M Copper Tube
- Made in USA
- cUPC® Compliant
- ARRA Compliant

APOLLOXPRESS

- Small Diameter Sizes ½" through 2"
- Model 807, 90° Elbow C x C

PERFORMANCE RATING

- Maximum Pressure: 200 psi
- Temperature Range: 0°F to 250°F depending on application. Hot Water up to 250°F, Chilled Water down to 33°F

STANDARD MATERIALS

Part Name	Material
Body	UNS C12200 Copper
O-Ring	EPDM
Lubrication	Silicone, ANSI/NSF-61 Listed

APPROVALS

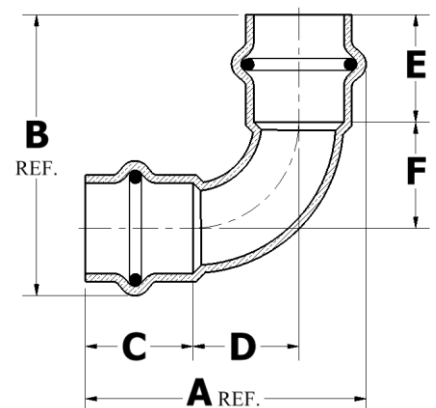
- NSF/ANSI NSF 61 – Water Quality
- NSF/ANSI NSF-372 – Lead Free (LF)
- IAPMO File Listings: 4861, 6174 & N-4951

DIMENSIONS

Item No.	Description	Dimension (in.)									(lb.)
		A	B	C*	D**	E*	F**	Height	Width	Depth	
10075554	807 ½ CxC	1.97	1.97	0.76	0.75	0.76	0.75	1.97	1.97	0.95	0.11
10075556	807 ¾ CxC	2.58	2.58	0.93	1.03	0.93	1.03	2.58	2.58	1.24	0.19
10075052	807 1 CxC	2.97	2.97	0.92	1.31	0.92	1.31	2.97	2.97	1.49	0.31
10075078	807 1¼ CxC	3.83	3.83	1.09	1.87	1.09	1.87	3.83	3.83	1.75	0.46
10075080	807 1½ CxC	4.37	4.37	1.31	2.02	1.31	2.02	4.37	4.37	2.11	0.78
10075082	807 2 CxC	5.35	5.35	1.51	2.56	1.51	2.56	5.35	5.35	2.58	1.10

* Tolerance +/- .045"

** Tolerance +.09 / -.03



Elkhart Products Corporation

1255 Oak Street, Elkhart, IN 46514

www.elkhartproducts.com | (574) 264-3181

This specification is provided for reference only. Elkhart Products Corporation reserves the right to change any portion of this specification without notice and without incurring obligation to make such changes to Elkhart products previously or subsequently sold.



SUBMITTAL SHEET

807-2 Small Diameter Series APOLLOXPRESS® Press End Copper Street Elbow 90° FTGxC (½" through 2")



Job Name:	
Job Location:	
Engineer:	
Contractor:	
Tag:	
PO Number:	
Representative:	
Wholesale Distributor:	



DESCRIPTION

The APOLLOXPRESS® 807-2 Small Diameter Press Street Elbow features a Lead-Free dezincification resistant copper body and an EPDM O-Ring. Our Small Diameter APOLLOXPRESS® products are manufactured utilizing proven ASTM materials and standards. Proudly Made In The USA.

FEATURES

- Lead-Free Construction
- Leak-Before-Press Technology
- Compatible with Pro-Press™ Pressing Tools
- Approved for underground installation (per local installation code)
- Use with hard/soft ASTM B88 K, L & M Copper Tube
- Made in USA
- cUPC® Compliant
- ARRA Compliant

PERFORMANCE RATING

- Maximum Pressure: 200 psi
- Temperature Range: 0°F to 250°F depending on application. Hot Water up to 250°F, Chilled Water down to 33°F

APPROVALS

- NSF/ANSI NSF 61 – Water Quality
- NSF/ANSI NSF-372 – Lead Free (LF)
- IAPMO File Listings: 4861, 6174 & N-4951

APOLLOXPRESS

- Small Diameter Sizes ½" through 2"
- Model 807-2, 90° Street Elbow FTG x C

STANDARD MATERIALS

Part Name	Material
Body	UNS C12200 Copper
O-Ring	EPDM
Lubrication	Silicone, ANSI/NSF-61 Listed

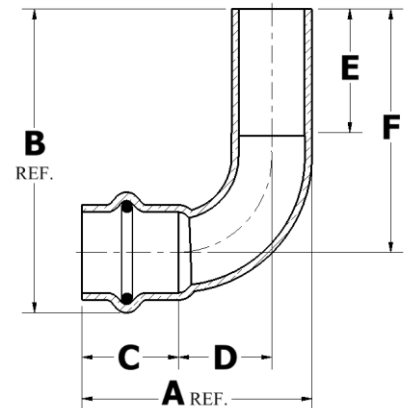
DIMENSIONS

Item No.	Description	Dimension (in.)									(lb.)
		A	B	C*	D**	E***	F**	Height	Width	Depth	
10075566	807-2 ½ FTGxC	1.80	2.38	0.76	0.73	0.97	1.91	2.38	1.80	0.95	0.11
10075568	807-2 ¾ FTGxC	2.37	2.82	0.93	1.01	1.06	2.20	2.82	2.37	1.24	0.21
10075046	807-2 1 FTGxC	2.87	3.56	0.92	1.40	1.13	2.81	3.56	2.87	1.49	0.31
10075072	807-2 1¼ FTGxC	3.64	3.85	1.09	1.87	1.19	2.97	3.85	3.64	1.75	0.43
10075074	807-2 1½ FTGxC	4.14	4.40	1.31	2.02	1.36	3.34	4.40	4.14	2.11	0.72
10075076	807-2 2 FTGxC	5.12	5.56	1.51	2.56	1.56	4.27	5.56	5.12	2.58	1.06

* Tolerance +/- .045"

** Tolerance +.09 / -.03

*** Tolerance +.06 / -.00



Elkhart Products Corporation

1255 Oak Street, Elkhart, IN 46514
www.elkhartproducts.com | (574) 264-3181

This specification is provided for reference only. Elkhart Products Corporation reserves the right to change any portion of this specification without notice and without incurring obligation to make such changes to Elkhart products previously or subsequently sold.



SUBMITTAL SHEET

807C Large Diameter Series APOLLOXPRESS® Press End Copper Elbow 90° Close Turn CxC (2 1/2" through 4")



Job Name:	
Job Location:	
Engineer:	
Contractor:	
Tag:	
PO Number:	
Representative:	
Wholesale Distributor:	



DESCRIPTION

The APOLLOXPRESS® 807C Large Diameter Close Turn Press Elbow features a Lead-Free dezincification resistant copper body, a patented stainless-steel solid cross-section Grab Ring, a Nylon Separation Ring and an EPDM O-Ring. Our Large Diameter APOLLOXPRESS® products are manufactured utilizing proven ASTM materials and standards. Proudly Made In The USA.

FEATURES

- Lead-Free Construction
- Leak-Before-Press Technology
- Visual element, Break Away Band (Pat. Pending)
- Compatible with XL-C™ Pressing Tools
- Approved for underground installation (per local installation code)
- Use with hard/soft ASTM B88 K, L & M Copper Tube
- Made in USA
- cUPC® Compliant
- ARRA Compliant

PERFORMANCE RATING

- Maximum Pressure: 200 psi
- Temperature Range: 0°F to 250°F depending on application. Hot Water up to 250°F, Chilled Water down to 33°F

APPROVALS

- NSF/ANSI NSF 61 – Water Quality
- NSF/ANSI NSF-372 – Lead Free (LF)
- IAPMO File Listings: 4861, 6174 & N-4951

APOLLOXPRESS

- Large Diameter Sizes 2 1/2", 3" & 4"
- Model 807C, 90° Close Turn Elbow C x C

STANDARD MATERIALS

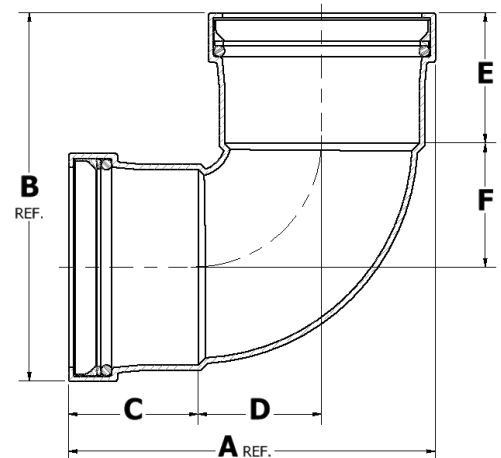
Part Name	Material
Body	UNS C12200 Copper
Grab Ring	304 / 306 Stainless Steel
Spacer Ring	Nylon 66
O-Ring	EPDM
Lubrication	Silicone, ANSI/NSF-61 Listed

DIMENSIONS

Item No.	Description	Dimension (in.)									(lb.)
		A	B	C*	D**	E*	F**	Height	Width	Depth	
10062021	807-C 2 1/2 CxC	5.23	5.23	1.90	1.75	1.90	1.75	5.23	5.23	3.16	2.02
10062027	807-C 3 CxC	5.94	5.94	2.10	2.00	2.10	2.00	5.95	5.95	3.68	2.51
10062032	807-C 4 CxC	7.44	7.44	2.50	2.59	2.50	2.59	7.44	7.44	4.70	3.86

* Tolerance +/- .02"

** Tolerance +.15 / -.03



Elkhart Products Corporation

1255 Oak Street, Elkhart, IN 46514
www.elkhartproducts.com | (574) 264-3181

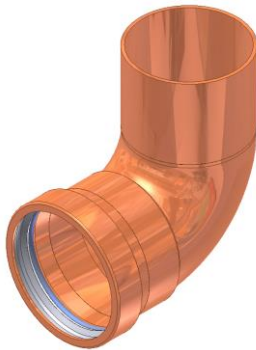
This specification is provided for reference only. Elkhart Products Corporation reserves the right to change any portion of this specification without notice and without incurring obligation to make such changes to Elkhart products previously or subsequently sold.



SUBMITTAL SHEET

807C-2 Large Diameter Series

APOLLOXPRESS® Press End Copper Elbow
90° Close Turn Street FTGxC (2 1/2" through 4")



Job Name:	
Job Location:	
Engineer:	
Contractor:	
Tag:	
PO Number:	
Representative:	
Wholesale Distributor:	



DESCRIPTION

The APOLLOXPRESS® 807C-2 Large Diameter Close Turn Press Elbow features a Lead-Free dezincification resistant copper body, a patented stainless-steel solid cross-section Grab Ring, a Nylon Separation Ring and an EPDM O-Ring. Our Large Diameter APOLLOXPRESS® products are manufactured utilizing proven ASTM materials and standards. Proudly Made In The USA.

FEATURES

- Lead-Free Construction
- Leak-Before-Press Technology
- Visual element, Break Away Band (Pat. Pending)
- Compatible with XL-C™ Pressing Tools
- Approved for underground installation (per local installation code)
- Use with hard/soft ASTM B88 K, L & M Copper Tube
- Made in USA
- cUPC® Compliant
- ARRA Compliant

PERFORMANCE RATING

- Maximum Pressure: 200 psi
- Temperature Range: 0°F to 250°F depending on application. Hot Water up to 250°F, Chilled Water down to 33°F

APPROVALS

- NSF/ANSI NSF 61 – Water Quality
- NSF/ANSI NSF-372 – Lead Free (LF)
- IAPMO File Listings: 4861, 6174 & N-4951

APOLLOXPRESS

- Large Diameter Sizes 2 1/2", 3" & 4"
- Model 807C-2, 90° Close Turn Street Elbow FTG x C.

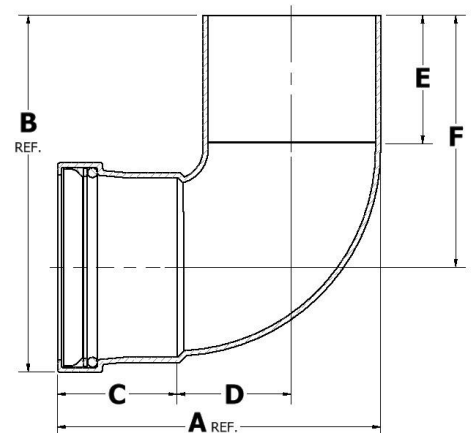
STANDARD MATERIALS

Part Name	Material
Body	UNS C12200 Copper
Grab Ring	304 / 306 Stainless Steel
Spacer Ring	Nylon 66
O-Ring	EPDM
Lubrication	Silicone, ANSI/NSF-61 Listed

DIMENSIONS

Item No.	Description	Dimension (in.)									(lb.)
		A	B	C*	D**	E***	F**	Height	Width	Depth	
10062007	807C-2 2 1/2 FTGxC	4.96	5.54	1.90	1.75	2.03	3.96	5.54	4.96	3.16	1.65
10062012	807C-2 3 FTGxC	5.66	6.25	2.10	2.00	2.25	4.41	6.25	5.66	3.68	2.42
10062017	807C-2 4 FTGxC	7.15	7.89	2.50	2.59	2.75	5.54	7.89	7.15	4.70	5.09

* Tolerance +/- .02"
** Tolerance +.15 / -.03
*** Tolerance +.12 / -.00



Elkhart Products Corporation
1255 Oak Street, Elkhart, IN 46514
www.elkhartproducts.com | (574) 264-3181

This specification is provided for reference only. Elkhart Products Corporation reserves the right to change any portion of this specification without notice and without incurring obligation to make such changes to Elkhart products previously or subsequently sold.



SUBMITTAL SHEET

807-C-R Large Diameter Series

APOLLOXPRESS® Press End Reducing Copper Elbow
90° Close Turn CxC (3" x 2" & 3" x 2 1/2")



Job Name:	
Job Location:	
Engineer:	
Contractor:	
Tag:	
PO Number:	
Representative:	
Wholesale Distributor:	

APOLLOXPRESS™
Your Single Source Solution for Press Technology



DESCRIPTION

The APOLLOXPRESS® 807-C-R Large Diameter Close Turn Press Reducing Elbow features a Lead-Free dezincification resistant copper body, a patented stainless-steel solid cross-section Grab Ring, a Nylon Separation Ring and an EPDM O-Ring. Our Large Diameter APOLLOXPRESS® products are manufactured utilizing proven ASTM materials and standards. Proudly Made In The USA.

FEATURES

- Lead-Free Construction
- Leak-Before-Press Technology
- Visual element, Break Away Band (Pat. Pending)
- Compatible with XL-C™ Pressing Tools
- Approved for underground installation (per local installation code)
- Use with hard/soft ASTM B88 K, L & M Copper Tube
- Made in USA
- cUPC® Compliant
- ARRA Compliant

PERFORMANCE RATING

- Maximum Pressure: 200 psi
- Temperature Range: 0°F to 250°F depending on application. Hot Water up to 250°F, Chilled Water down to 33°F

APPROVALS

- NSF/ANSI NSF 61 – Water Quality
- NSF/ANSI NSF-372 – Lead Free (LF)
- IAPMO File Listings: 4861, 6174 & N-4951

APOLLOXPRESS

- Large Diameter Sizes 3" x 2" & 3" x 2 1/2"
- Model 807-C-R, 90° Reducing Close Turn Elbow C x C

STANDARD MATERIALS

Part Name	Material
Body	UNS C12200 Copper
Grab Ring	304 / 306 Stainless Steel
Spacer Ring	Nylon 66
O-Ring	EPDM
Lubrication	Silicone, ANSI/NSF-61 Listed

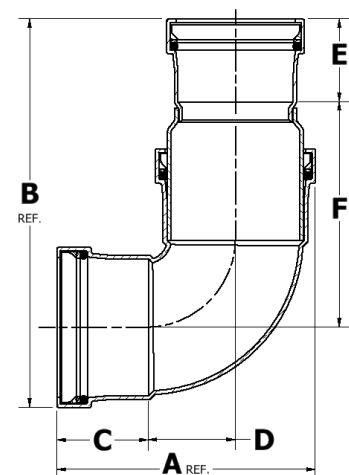
DIMENSIONS

Item No.	Description	Dimension (in.)									(lb.)
		A	B	C*	D**	E*	F**	Height	Width	Depth	
10066460	807C 3x2 CxC	5.94	8.41	2.10	2.00	1.51	5.07	8.41	5.94	3.68	3.88
10066141	807C 3x2 1/2 CxC	5.94	8.93	2.10	2.00	1.90	5.19	8.93	5.94	3.68	4.63

* Tolerance +/- .02"

** Tolerance +.15 / -.03

Note:
These fittings are crimped two-piece construction.



Elkhart Products Corporation

1255 Oak Street, Elkhart, IN 46514

www.elkhartproducts.com | (574) 264-3181

This specification is provided for reference only. Elkhart Products Corporation reserves the right to change any portion of this specification without notice and without incurring obligation to make such changes to Elkhart products previously or subsequently sold.

SUBMITTAL SHEET

807L Large Diameter Series

APOLLOXPRESS® Press End Copper Elbow
90° Long Turn CxC (2 1/2" through 4")



Job Name:	
Job Location:	
Engineer:	
Contractor:	
Tag:	
PO Number:	
Representative:	
Wholesale Distributor:	



DESCRIPTION

The APOLLOXPRESS® 807L Large Diameter Long Turn Press Elbow features a Lead-Free dezincification resistant copper body, a patented stainless-steel solid cross-section Grab Ring, a Nylon Separation Ring and an EPDM O-Ring. Our Large Diameter APOLLOXPRESS® products are manufactured utilizing proven ASTM materials and standards. Proudly Made In The USA.

FEATURES

- Lead-Free Construction
- Leak-Before-Press Technology
- Visual element, Break Away Band (Pat. Pending)
- Compatible with XL-C™ Pressing Tools
- Approved for underground installation (per local installation code)
- Use with hard/soft ASTM B88 K, L & M Copper Tube
- Made in USA
- cUPC® Compliant
- ARRA Compliant

PERFORMANCE RATING

- Maximum Pressure: 200 psi
- Temperature Range: 0°F to 250°F depending on application. Hot Water up to 250°F, Chilled Water down to 33°F

APPROVALS

- NSF/ANSI NSF 61 – Water Quality
- NSF/ANSI NSF-372 – Lead Free (LF)
- IAPMO File Listings: 4861, 6174 & N-4951

APOLLOXPRESS

- Large Diameter Sizes 2 1/2", 3" & 4"
- Model 807L, 90° Long Turn Elbow C x C.

STANDARD MATERIALS

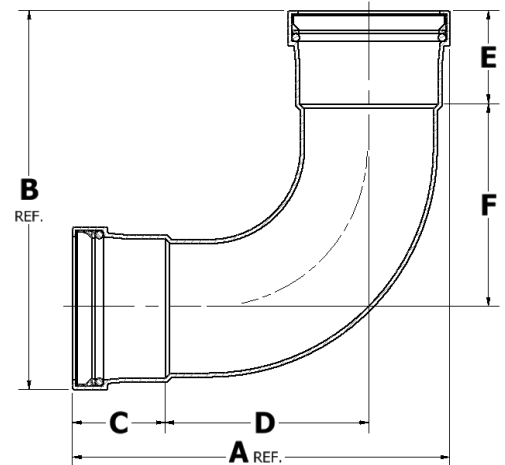
Part Name	Material
Body	UNS C12200 Copper
Grab Ring	304 / 306 Stainless Steel
Spacer Ring	Nylon 66
O-Ring	EPDM
Lubrication	Silicone, ANSI/NSF-61 Listed

DIMENSIONS

Item No.	Description	Dimension (in.)									(lb.)
		A	B	C*	D**	E*	F**	Height	Width	Depth	
10062066	807L 2 1/2 CxC	6.67	6.67	1.90	3.19	1.90	3.19	6.67	6.67	3.16	2.18
10062067	807L 3 CxC	8.56	8.56	2.10	4.58	2.10	4.58	8.56	8.56	3.68	3.43
10062069	807L 4 CxC	9.75	9.75	2.50	4.90	2.50	4.90	9.75	9.75	4.70	6.30

* Tolerance +/- .02"

** Tolerance +.15 / -.03



Elkhart Products Corporation

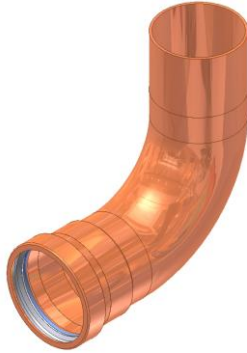
1255 Oak Street, Elkhart, IN 46514
www.elkhartproducts.com | (574) 264-3181

This specification is provided for reference only. Elkhart Products Corporation reserves the right to change any portion of this specification without notice and without incurring obligation to make such changes to Elkhart products previously or subsequently sold.



SUBMITTAL SHEET

807L-2 Large Diameter Series APOLLOXPRESS® Press End Copper Elbow 90° Street FTGxC (2 1/2" through 4")



Job Name:	
Job Location:	
Engineer:	
Contractor:	
Tag:	
PO Number:	
Representative:	
Wholesale Distributor:	



DESCRIPTION

The APOLLOXPRESS® 807L-2 Large Diameter Long Turn Press Elbow features a Lead-Free dezincification resistant copper body, a patented stainless-steel solid cross-section Grab Ring, a Nylon Separation Ring and an EPDM O-Ring. Our Large Diameter APOLLOXPRESS® products are manufactured utilizing proven ASTM materials and standards. Proudly Made In The USA.

FEATURES

- Lead-Free Construction
- Leak-Before-Press Technology
- Visual element, Break Away Band (Pat. Pending)
- Compatible with XL-C™ Pressing Tools
- Approved for underground installation (per local installation code)
- Use with hard/soft ASTM B88 K, L & M Copper Tube
- Made in USA
- cUPC® Compliant
- ARRA Compliant

PERFORMANCE RATING

- Maximum Pressure: 200 psi
- Temperature Range: 0°F to 250°F depending on application. Hot Water up to 250°F, Chilled Water down to 33°F

APPROVALS

- NSF/ANSI NSF 61 – Water Quality
- NSF/ANSI NSF-372 – Lead Free (LF)
- IAPMO File Listings: 4861, 6174 & N-4951

APOLLOXPRESS

- Large Diameter Sizes 2 1/2", 3" & 4"
- Model 807L-2, 90° Long Turn Street Elbow FTG x C.

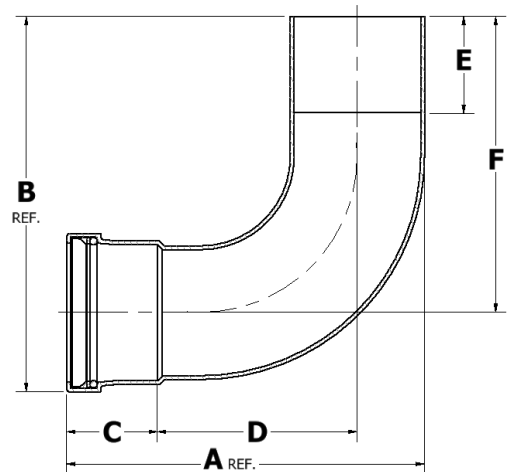
STANDARD MATERIALS

Part Name	Material
Body	UNS C12200 Copper
Grab Ring	304 / 306 Stainless Steel
Spacer Ring	Nylon 66
O-Ring	EPDM
Lubrication	Silicone, ANSI/NSF-61 Listed

DIMENSIONS

Item No.	Description	Dimension (in.)									(lb.)
		A	B	C*	D**	E***	F**	Height	Width	Depth	
10062071	807L-2 2 1/2 FTGxC	6.40	6.92	1.90	3.19	2.03	5.34	6.92	6.40	3.16	2.11
10062073	807L-2 3 FTGxC	8.28	8.71	2.10	4.62	2.25	6.87	8.71	8.28	3.68	3.48
10062074	807L-2 4 FTGxC	10.44	10.98	2.50	5.88	2.75	8.63	10.98	10.44	4.70	6.06

- * Tolerance +/- .02"
- ** Tolerance +.15 / -.03
- *** Tolerance +.12 / -.00



Elkhart Products Corporation

1255 Oak Street, Elkhart, IN 46514
www.elkhartproducts.com | (574) 264-3181

This specification is provided for reference only. Elkhart Products Corporation reserves the right to change any portion of this specification without notice and without incurring obligation to make such changes to Elkhart products previously or subsequently sold.



SUBMITTAL SHEET

807R Small Diameter Series

APOLLOXPRESS® Press End Reducing Copper Elbow
90° CxC (¾" x ½" through 1" x ¾")



Job Name:	
Job Location:	
Engineer:	
Contractor:	
Tag:	
PO Number:	
Representative:	
Wholesale Distributor:	



DESCRIPTION

The APOLLOXPRESS® 807 Small Diameter Press Reducing Elbow features a Lead-Free dezincification resistant copper body and an EPDM O-Ring. Our Small Diameter APOLLOXPRESS® products are manufactured utilizing proven ASTM materials and standards. Proudly Made In The USA.

FEATURES

- Lead-Free Construction
- Leak-Before-Press Technology
- Compatible with Pro-Press™ Pressing Tools
- Approved for underground installation (per local installation code)
- Use with hard/soft ASTM B88 K, L & M Copper Tube
- Made in USA
- cUPC® Compliant
- ARRA Compliant

PERFORMANCE RATING

- Maximum Pressure: 200 psi
- Temperature Range: 0°F to 250°F depending on application. Hot Water up to 250°F, Chilled Water down to 33°F

APPROVALS

- NSF/ANSI NSF 61 – Water Quality
- NSF/ANSI NSF-372 – Lead Free (LF)
- IAPMO File Listings: 4861, 6174 & N-4951

APOLLOXPRESS

- Small Diameter Sizes ¾" x ½" through 1" x ¾"
- Model 807R, 90° Elbow C x C

STANDARD MATERIALS

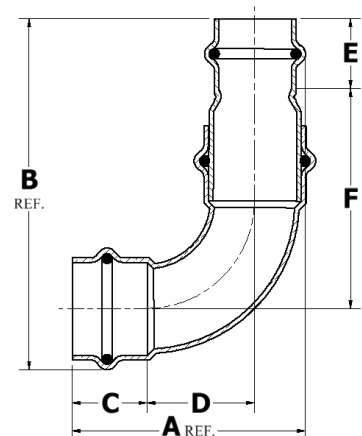
Part Name	Material
Body	UNS C12200 Copper
O-Ring	EPDM
Lubrication	Silicone, ANSI/NSF-61 Listed

DIMENSIONS

Item No.	Description	Dimension (in.)									(lb.)
		A	B	C*	D**	E*	F**	Height	Width	Depth	
10066101	807 ¾x½ CxC	2.58	3.67	0.93	1.03	0.81	2.25	3.67	2.58	1.24	0.27
10066099	807 1x½ CxC	2.97	4.43	0.92	1.31	0.81	2.88	4.43	2.97	1.49	0.41
10066083	807 1x¾ CxC	2.97	4.27	0.92	1.31	0.85	2.68	4.27	2.97	1.49	0.43

* Tolerance +/- .045"
** Tolerance +.09 / -.03

Note:
These fittings are crimped two-piece construction.



Elkhart Products Corporation
1255 Oak Street, Elkhart, IN 46514
www.elkhartproducts.com | (574) 264-3181

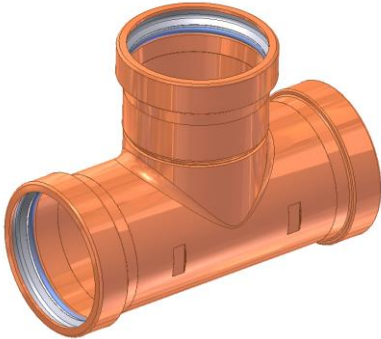
This specification is provided for reference only. Elkhart Products Corporation reserves the right to change any portion of this specification without notice and without incurring obligation to make such changes to Elkhart products previously or subsequently sold.



SUBMITTAL SHEET

811 Large Diameter Series

APOLLOXPRESS® Press End Copper Tee
CxxCxC (2 1/2" through 4")



Job Name:	
Job Location:	
Engineer:	
Contractor:	
Tag:	
PO Number:	
Representative:	
Wholesale Distributor:	



DESCRIPTION

The APOLLOXPRESS® 811 Large Diameter Press Tee features a Lead-Free dezincification resistant copper body, a patented stainless-steel solid cross-section Grab Ring, a Nylon Separation Ring and an EPDM O-Ring. Our Large Diameter APOLLOXPRESS® products are manufactured utilizing proven ASTM materials and standards. Proudly Made In The USA.

FEATURES

- Lead-Free Construction
- Leak-Before-Press Technology
- Visual element, Break Away Band (Pat. Pending)
- Compatible with XL-C™ Pressing Tools
- Approved for underground installation (per local installation code)
- Use with hard/soft ASTM B88 K, L & M Copper Tube
- Made in USA
- cUPC® Compliant
- ARRA Compliant

PERFORMANCE RATING

- Maximum Pressure: 200 psi
- Temperature Range: 0°F to 250°F depending on application. Hot Water up to 250°F, Chilled Water down to 33°F

APPROVALS

- NSF/ANSI NSF 61 – Water Quality
- NSF/ANSI NSF-372 – Lead Free (LF)
- IAPMO File Listings: 4861, 6174 & N-4951

APOLLOXPRESS

- Large Diameter Sizes 2 1/2", 3", 4"
- Model 811, Nominal Fitting Tee

STANDARD MATERIALS

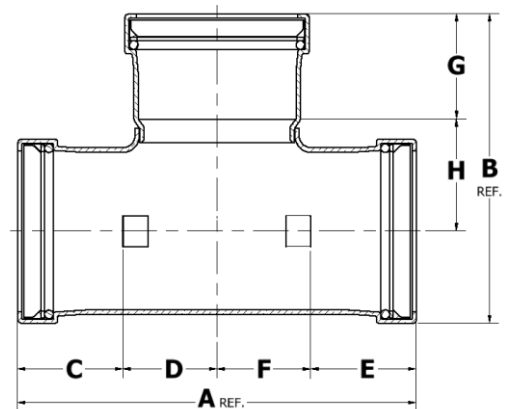
Part Name	Material
Body	UNS C12200 Copper
Grab Ring	304 / 306 Stainless Steel
Spacer Ring	Nylon 66
O-Ring	EPDM
Lubrication	Silicone, ANSI/NSF-61 Listed

DIMENSIONS

Item No.	Description	Dimension (in.)											(lb.)
		A	B	C*	D**	E*	F**	G*	H**	Height	Width	Depth	
10057518	811 2 1/2 CxCxC	7.15	5.33	1.90	1.67	1.90	1.67	1.90	1.85	5.33	7.15	3.16	2.39
10062072	811 3 CxCxC	7.95	6.39	2.10	1.88	2.10	1.88	2.10	2.24	6.39	7.95	3.68	3.56
10062077	811 4 CxCxC	9.84	7.66	2.50	2.41	2.50	2.41	2.50	2.81	7.66	9.84	4.70	6.92

* Tolerance +/- .02"

**Tolerance +.15 / -.03



Elkhart Products Corporation

1255 Oak Street, Elkhart, IN 46514

www.elkhartproducts.com | (574) 264-3181

This specification is provided for reference only. Elkhart Products Corporation reserves the right to change any portion of this specification without notice and without incurring obligation to make such changes to Elkhart products previously or subsequently sold.



SUBMITTAL SHEET

811 Small Diameter Series

APOLLOXPRESS® Press End Copper Tee
CxCxC with (½" through 2")



Job Name:	
Job Location:	
Engineer:	
Contractor:	
Tag:	
PO Number:	
Representative:	
Wholesale Distributor:	



DESCRIPTION

The APOLLOXPRESS® 811 Small Diameter Press Tee features a Lead-Free dezincification resistant copper body and an EPDM O-Ring. Our Small Diameter APOLLOXPRESS® products are manufactured utilizing proven ASTM materials and standards. Proudly Made In The USA.

FEATURES

- Lead-Free Construction
- Leak-Before-Press Technology
- Compatible with Pro-Press™ Pressing Tools
- Approved for underground installation (per local installation code)
- Use with hard/soft ASTM B88 K, L & M Copper Tube
- Made in USA
- cUPC® Compliant
- ARRA Compliant

PERFORMANCE RATING

- Maximum Pressure: 200 psi
- Temperature Range: 0°F to 250°F depending on application. Hot Water up to 250°F, Chilled Water down to 33°F

APPROVALS

- NSF/ANSI NSF 61 – Water Quality
- NSF/ANSI NSF-372 – Lead Free (LF)
- IAPMO File Listings: 4861, 6174 & N-4951

APOLLOXPRESS

- Small Diameter Sizes ½" through 2"
- Model 811, Tee

STANDARD MATERIALS

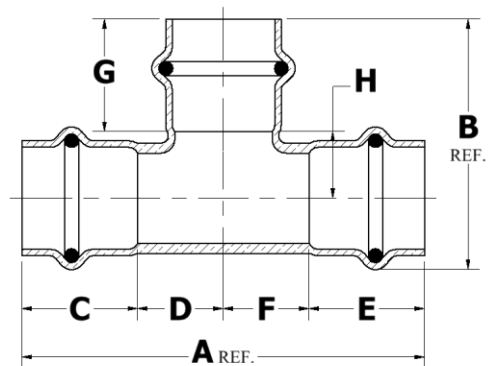
Part Name	Material
Body	UNS C12200 Copper
O-Ring	EPDM
Lubrication	Silicone, ANSI/NSF-61 Listed

DIMENSIONS

Item No.	Description	Dimension (in.)										(lb.)	
		A	B	C*	D**	E*	F**	G*	H**	Height	Width		Depth
10075578	811 ½ CxCxC	3.04	1.78	0.83	0.70	0.83	0.70	0.83	0.49	1.78	3.04	0.95	0.20
10075580	811 ¾ CxCxC	3.47	2.17	0.92	0.82	0.92	0.82	0.92	0.64	2.17	3.47	1.24	0.30
10075582	811 1 CxCxC	3.90	2.51	0.98	0.98	0.98	0.98	0.98	0.80	2.51	3.90	1.50	0.45
10075096	811 1¼ CxCxC	4.12	2.94	1.09	0.98	1.09	0.98	1.09	0.98	2.94	4.12	1.75	0.63
10075098	811 1½ CxCxC	4.75	3.43	1.31	1.07	1.31	1.07	1.31	1.07	3.43	4.75	2.11	0.96
10075100	811 2 CxCxC	5.75	4.17	1.51	1.37	1.51	1.37	1.51	1.37	4.17	5.75	2.58	1.84

* Tolerance +/- .05"

** Tolerance +.09 / -.03



Elkhart Products Corporation

1255 Oak Street, Elkhart, IN 46514

www.elkhartproducts.com | (574) 264-3181

This specification is provided for reference only. Elkhart Products Corporation reserves the right to change any portion of this specification without notice and without incurring obligation to make such changes to Elkhart products previously or subsequently sold.



SUBMITTAL SHEET

811-BH Large Diameter Series

APOLLOXPRESS® Press End Copper Reducing Tee
Reducing Run CxCxC (1½" through 2½")



Job Name:	
Job Location:	
Engineer:	
Contractor:	
Tag:	
PO Number:	
Representative:	
Wholesale Distributor:	



DESCRIPTION

The APOLLOXPRESS® 811BH Large Diameter Press Reducing Run Tee features a Lead-Free dezincification resistant copper body, a patented stainless-steel solid cross-section Grab Ring, a Nylon Separation Ring and an EPDM O-Ring. Our Large Diameter APOLLOXPRESS® products are manufactured utilizing proven ASTM materials and standards. Proudly Made In The USA.

FEATURES

- Lead-Free Construction
- Leak-Before-Press Technology
- Visual element, Break Away Band (Pat. Pending)
- Compatible with XL-C™ & Pro-Press™ Pressing Tools
- Approved for underground installation (per local installation code)
- Use with hard/soft ASTM B88 K, L & M Copper Tube
- Made in USA
- cUPC® Compliant
- ARRA Compliant

PERFORMANCE RATING

- Maximum Pressure: 200 psi
- Temperature Range: 0°F to 250°F depending on application. Hot Water up to 250°F, Chilled Water down to 33°F

APPROVALS

- NSF/ANSI NSF 61 – Water Quality
- NSF/ANSI NSF-372 – Lead Free (LF)
- IAPMO File Listings: 4861, 6174 & N-4951

APOLLOXPRESS

- Large Diameter Sizes 1½" x 1½" x 3" through 2½" x 2½" x 4"
- Model 811-BH, Reducing Run Tee CxCxC

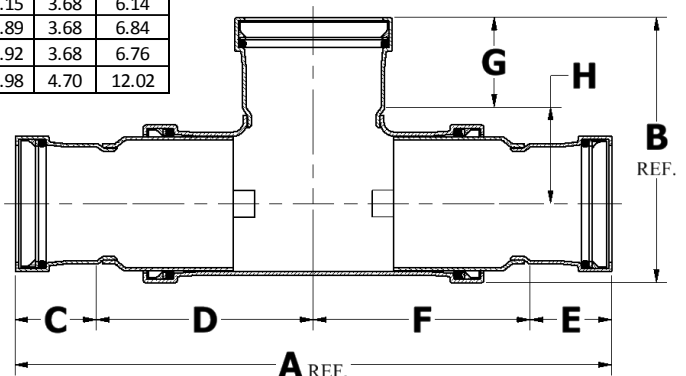
STANDARD MATERIALS

Part Name	Material
Body	UNS C12200 Copper
Grab Ring	304 / 306 Stainless Steel
Spacer Ring	Nylon 66
O-Ring	EPDM
Lubrication	Silicone, ANSI/NSF-61 Listed

DIMENSIONS

Item No.	Description	Dimension (in.)											(lb.)
		A	B	C*	D**	E*	F**	G*	H**	Height	Width	Depth	
10066550	811 1½"x1½"x3 CxCxC	13.15	6.18	1.31	5.27	1.31	5.27	2.10	2.24	6.18	13.15	3.68	6.14
10066551	811 2"x2"x3 CxCxC	12.89	6.18	1.51	4.94	1.51	4.94	2.10	2.24	6.18	12.89	3.68	6.84
10066135	811 2½"x2½"x3 CxCxC	13.92	6.18	1.90	5.06	1.90	5.06	2.10	2.24	6.18	13.92	3.68	6.76
10066094	811 2½"x2½"x4 CxCxC	16.98	7.66	1.90	6.79	1.90	6.79	2.50	2.81	7.66	16.98	4.70	12.02

* Tolerance +/- .02"
**Tolerance +.15 / -.03



Elkhart Products Corporation
1255 Oak Street, Elkhart, IN 46514
www.elkhartproducts.com | (574) 264-3181

This specification is provided for reference only. Elkhart Products Corporation reserves the right to change any portion of this specification without notice and without incurring obligation to make such changes to Elkhart products previously or subsequently sold.



SUBMITTAL SHEET

811-BH Small Diameter Series

APOLLOXPRESS® Press End Copper Reducing Tee
Reducing Run CxCxC with (½" through 2")



Job Name:	
Job Location:	
Engineer:	
Contractor:	
Tag:	
PO Number:	
Representative:	
Wholesale Distributor:	



DESCRIPTION

The APOLLOXPRESS® 811 Small Diameter Press Reducing Run Tee features a Lead-Free dezincification resistant copper body and an EPDM O-Ring. Our Small Diameter APOLLOXPRESS® products are manufactured utilizing proven ASTM materials and standards. Proudly Made In The USA.

FEATURES

- Lead-Free Construction
- Leak-Before-Press Technology
- Compatible with Pro-Press™ Pressing Tools
- Approved for underground installation (per local installation code)
- Use with hard/soft ASTM B88 K, L & M Copper Tube
- Made in USA
- cUPC® Compliant
- ARRA Compliant

PERFORMANCE RATING

- Maximum Pressure: 200 psi
- Temperature Range: 0°F to 250°F depending on application. Hot Water up to 250°F, Chilled Water down to 33°F

APPROVALS

- NSF/ANSI NSF 61 – Water Quality
- NSF/ANSI NSF-372 – Lead Free (LF)
- IAPMO File Listings: 4861, 6174 & N-4951

APOLLOXPRESS

- Small Diameter Sizes ½" through 2"
- Model 811-BH, Reducing Run Tee CxCxC

STANDARD MATERIALS

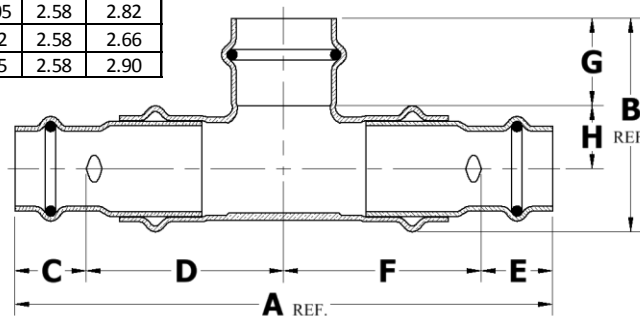
Part Name	Material
Body	UNS C12200 Copper
O-Ring	EPDM
Lubrication	Silicone, ANSI/NSF-61 Listed

DIMENSIONS

Item No.	Description	Dimension (in.)										Weight (lb.)	
		A	B	C*	D**	E*	F**	G*	H**	Height	Width		Depth
10066070	811 ½x½x¼ CxCxC	5.70	2.17	0.81	2.04	0.81	2.04	0.92	0.64	2.17	5.70	1.24	0.36
10066006	811 ¾x¾x1 CxCxC	6.69	2.51	0.81	2.54	0.81	2.54	0.98	0.80	2.51	6.69	1.50	0.65
10066071	811 1x1x1 CxCxC	6.38	2.51	0.85	2.35	0.85	2.35	0.98	0.80	2.51	6.38	1.50	0.69
10066008	811 1x1x1½ CxCxC	6.75	2.94	0.93	2.45	0.93	2.45	1.09	0.98	2.94	6.75	1.75	1.03
10066128	811 1x1x2 CxCxC	10.05	4.16	0.97	4.06	0.97	4.06	1.51	1.37	4.16	10.05	2.58	2.82
10066107	811 1½x1½x2 CxCxC	9.42	4.16	1.04	3.67	1.04	3.67	1.51	1.37	4.16	9.42	2.58	2.66
10066090	811 1½x1½x2 CxCxC	9.75	4.16	1.31	3.57	1.31	3.57	1.51	1.37	4.16	9.75	2.58	2.90

* Tolerance +/- .05"

** Tolerance +.09 / -.03



Elkhart Products Corporation

1255 Oak Street, Elkhart, IN 46514

www.elkhartproducts.com | (574) 264-3181

This specification is provided for reference only. Elkhart Products Corporation reserves the right to change any portion of this specification without notice and without incurring obligation to make such changes to Elkhart products previously or subsequently sold.



SUBMITTAL SHEET

811-R Large Diameter Series

APOLLOXPRESS® Press End Copper Tee
Reducing Outlet CxCxC (3" x 2 1/2" through 4" x 3")



Job Name:	
Job Location:	
Engineer:	
Contractor:	
Tag:	
PO Number:	
Representative:	
Wholesale Distributor:	



DESCRIPTION

The APOLLOXPRESS® 811-R Large Diameter Press Reducing Outlet Tee features a Lead-Free dezincification resistant copper body, a patented stainless-steel solid cross-section Grab Ring, a Nylon Separation Ring and an EPDM O-Ring. Our Large Diameter APOLLOXPRESS® products are manufactured utilizing proven ASTM materials and standards. Proudly Made In The USA.

FEATURES

- Lead-Free Construction
- Leak-Before-Press Technology
- Visual element, Break Away Band (Pat. Pending)
- Compatible with XL-C™ Pressing Tools
- Approved for underground installation (per local installation code)
- Use with hard/soft ASTM B88 K, L & M Copper Tube
- Made in USA
- cUPC® Compliant
- ARRA Compliant

PERFORMANCE RATING

- Maximum Pressure: 200 psi
- Temperature Range: 0°F to 250°F depending on application. Hot Water up to 250°F, Chilled Water down to 33°F

APPROVALS

- NSF/ANSI NSF 61 – Water Quality
- NSF/ANSI NSF-372 – Lead Free (LF)
- IAPMO File Listings: 4861, 6174 & N-4951

APOLLOXPRESS

- Large Diameter Sizes 3" x 2 1/2", 4" x 2 1/2", 4" x 3"
- Model 811-R, Reducing Outlet Tee

STANDARD MATERIALS

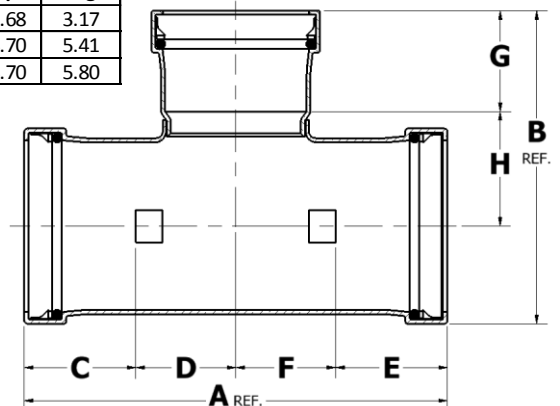
Part Name	Material
Body	UNS C12200 Copper
Grab Ring	304 / 306 Stainless Steel
Spacer Ring	Nylon 66
O-Ring	EPDM
Lubrication	Silicone, ANSI/NSF-61 Listed

DIMENSIONS

Item No.	Description	Dimension (in.)										(lb.)	
		A	B	C*	D**	E*	F**	G*	H**	Height	Width		Depth
10062079	811 3x3x2 1/2 CxCxC	7.95	5.90	2.10	1.87	2.10	1.87	1.90	2.16	5.90	7.95	3.68	3.17
10062078	811 4x4x2 1/2 CxCxC	9.84	6.91	2.50	2.42	2.50	2.42	1.90	2.66	6.91	9.84	4.70	5.41
10062076	811 4x4x3 CxCxC	9.84	7.28	2.50	2.42	2.50	2.42	2.10	2.83	7.28	9.84	4.70	5.80

* Tolerance +/- .02"

**Tolerance +.15 / -.03



Elkhart Products Corporation

1255 Oak Street, Elkhart, IN 46514
www.elkhartproducts.com | (574) 264-3181

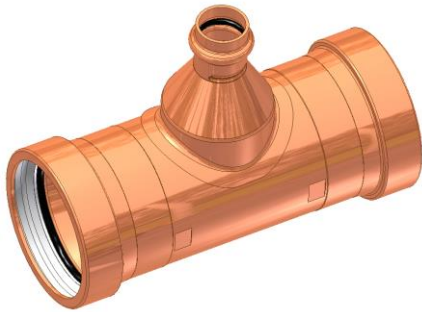
This specification is provided for reference only. Elkhart Products Corporation reserves the right to change any portion of this specification without notice and without incurring obligation to make such changes to Elkhart products previously or subsequently sold.



SUBMITTAL SHEET

811-R Large-Small Diameter Series

APOLLOXPRESS® Press End Copper Tee
Reducing Outlet CxCxC (2 1/2" x 1/2" through 4" x 2")



Job Name:	
Job Location:	
Engineer:	
Contractor:	
Tag:	
PO Number:	
Representative:	
Wholesale Distributor:	



DESCRIPTION

The APOLLOXPRESS® 811-R Large-Small Diameter Press Reducing Outlet Tee features a Lead-Free dezincification resistant copper body, a patented stainless-steel solid cross-section Grab Ring, a Nylon Separation Ring and an EPDM O-Ring. Our Large Diameter APOLLOXPRESS® products are manufactured utilizing proven ASTM materials and standards. Proudly Made In The USA.

FEATURES

- Lead-Free Construction
- Leak-Before-Press Technology
- Visual element, Break Away Band (Pat. Pending)
- Compatible with XL-C™ & Pro-Press Pressing Tools
- Approved for underground installation (per local installation code)
- Use with hard/soft ASTM B88 K, L & M Copper Tube
- Made in USA
- cUPC® Compliant
- ARRA Compliant

PERFORMANCE RATING

- Maximum Pressure: 200 psi
- Temperature Range: 0°F to 250°F depending on application. Hot Water up to 250°F, Chilled Water down to 33°F

APPROVALS

- NSF/ANSI NSF 61 – Water Quality
- NSF/ANSI NSF-372 – Lead Free (LF)
- IAPMO File Listings: 4861, 6174 & N-4951

APOLLOXPRESS

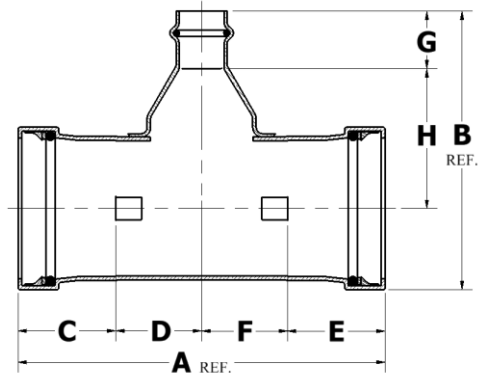
- Large Diameter Sizes 2 1/2" x 1/2" through 4" x 2"
- Model 811-R, Reducing Outlet Tee

STANDARD MATERIALS

Part Name	Material
Body	UNS C12200 Copper
Grab Ring	304 / 306 Stainless Steel
Spacer Ring	Nylon 66
O-Ring	EPDM
Lubrication	Silicone, ANSI/NSF-61 Listed

DIMENSIONS

Item No.	Description	Dimension (in.)											(lb.)
		A	B	C*	D**	E*	F**	G*	H**	Height	Width	Depth	
10068042	811 2½x2½x½ CxCxC	7.15	5.58	1.90	1.67	1.90	1.67	0.85	3.12	5.58	7.15	3.16	1.93
10068045	811 2½x2½x¾ CxCxC	7.15	5.42	1.90	1.67	1.90	1.67	0.89	2.95	5.42	7.15	3.16	1.92
10068048	811 2½x2½x1 CxCxC	7.15	5.21	1.90	1.67	1.90	1.67	0.97	2.66	5.21	7.15	3.16	1.94
10068051	811 2½x2½x1¼ CxCxC	7.15	4.58	1.90	1.67	1.90	1.67	1.09	1.92	4.58	7.15	3.16	1.80
10068054	811 2½x2½x1½ CxCxC	7.15	4.83	1.90	1.67	1.90	1.67	1.47	1.78	4.83	7.15	3.16	1.98
10068057	811 2½x2½x2 CxCxC	7.15	5.08	1.90	1.67	1.90	1.67	1.59	1.92	5.08	7.15	3.16	2.08
10068060	811 3x3x½ CxCxC	7.95	6.21	2.10	1.87	2.10	1.87	0.85	3.53	6.21	7.95	3.68	2.73
10068063	811 3x3x¾ CxCxC	7.95	6.05	2.10	1.87	2.10	1.87	0.89	3.33	6.05	7.95	3.68	2.71
10068066	811 3x3x1 CxCxC	7.95	5.84	2.10	1.87	2.10	1.87	0.97	3.04	5.84	7.95	3.68	2.75
10068069	811 3x3x1¼ CxCxC	7.95	5.09	2.10	1.87	2.10	1.87	1.04	2.21	5.09	7.95	3.68	2.58
10068072	811 3x3x1½ CxCxC	7.95	5.34	2.10	1.87	2.10	1.87	1.43	2.07	5.34	7.95	3.68	2.74
10068075	811 3x3x2 CxCxC	7.95	5.59	2.10	1.87	2.10	1.87	1.59	2.17	5.59	7.95	3.68	2.87
10068078	811 4x4x½ CxCxC	9.84	7.33	2.50	2.42	2.50	2.42	0.85	4.13	7.33	9.84	4.70	4.93
10068081	811 4x4x¾ CxCxC	9.84	7.17	2.50	2.42	2.50	2.42	0.89	3.93	7.17	9.84	4.70	4.96
10068084	811 4x4x1 CxCxC	9.84	6.96	2.50	2.42	2.50	2.42	0.97	3.64	6.96	9.84	4.70	4.98
10068087	811 4x4x1¼ CxCxC	9.84	6.10	2.50	2.42	2.50	2.42	1.04	2.71	6.10	9.84	4.70	4.82
10068090	811 4x4x1½ CxCxC	9.84	6.35	2.50	2.42	2.50	2.42	1.43	2.57	6.35	9.84	4.70	4.98
10068093	811 4x4x2 CxCxC	9.84	6.60	2.50	2.42	2.50	2.42	1.59	2.67	6.60	9.84	4.70	5.08



* Tolerance +/- .02"
** Tolerance +.15 / -.03

Elkhart Products Corporation
1255 Oak Street, Elkhart, IN 46514
www.elkhartproducts.com | (574) 264-3181



SUBMITTAL SHEET

811 Small Diameter Series

APOLLOXPRESS® Press End Copper Reducer Outlet Tee
CxCxC (¾" x ¾" x ½" through 2" x 2" x 1 ½")



Job Name:	
Job Location:	
Engineer:	
Contractor:	
Tag:	
PO Number:	
Representative:	
Wholesale Distributor:	



DESCRIPTION

The APOLLOXPRESS® 811-R Small Diameter Press Reducer Outlet Tee features a Lead-Free dezincification resistant copper body and an EPDM O-Ring. Our Small Diameter APOLLOXPRESS® products are manufactured utilizing proven ASTM materials and standards. Proudly Made In The USA.

FEATURES

- Lead-Free Construction
- Leak-Before-Press Technology
- Compatible with Pro-Press™ Pressing Tools
- Approved for underground installation (per local installation code)
- Use with hard/soft ASTM B88 K, L & M Copper Tube
- Made in USA
- cUPC® Compliant
- ARRA Compliant

APOLLOXPRESS

- Small Diameter Size ¾" x ¾" x ½" through 2" x 2" x 1 ½"
- Model 811-R, Reducer Outlet Tee

PERFORMANCE RATING

- Maximum Pressure: 200 psi
- Temperature Range: 0°F to 250°F depending on application. Hot Water up to 250°F, Chilled Water down to 33°F

APPROVALS

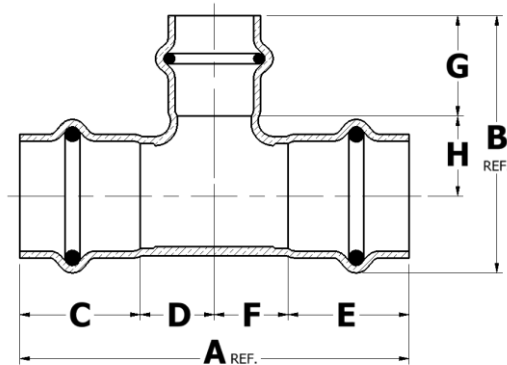
- NSF/ANSI NSF 61 – Water Quality
- NSF/ANSI NSF-372 – Lead Free (LF)
- IAPMO File Listings: 4861, 6174 & N-4951

STANDARD MATERIALS

Part Name	Material
Body	UNS C12200 Copper
O-Ring	EPDM
Lubrication	Silicone, ANSI/NSF-61 Listed

DIMENSIONS

Item No.	Description	Dimension (in.)										(lb.)	
		A	B	C*	D**	E*	F**	G*	H**	Height	Width		Depth
10075906	811 ¾x¾x½ CxCxC	3.13	2.07	0.92	0.65	0.92	0.65	0.76	0.70	2.07	3.13	1.24	0.25
10075904	811 1x1x½ CxCxC	3.30	2.32	0.93	0.72	0.93	0.72	0.76	0.82	2.32	3.30	1.49	0.35
10075902	811 1x1x¾ CxCxC	3.67	2.44	0.98	0.86	0.98	0.86	0.92	0.79	2.44	3.67	1.50	0.39
10075106	811 1½x1½x½ CxCxC	4.12	3.04	1.09	0.98	1.09	0.98	0.85	1.44	3.04	4.12	1.75	0.63
10075102	811 1½x1½x¾ CxCxC	4.12	3.16	1.09	0.98	1.09	0.98	0.89	1.34	3.16	4.12	1.75	0.63
10075104	811 1½x1½x1 CxCxC	4.12	3.04	1.09	0.98	1.09	0.98	0.97	1.20	3.04	4.12	1.75	0.63
10066015	811 1½x1½x¾ CxCxC	4.00	4.22	1.31	0.69	1.31	0.69	0.81	2.36	4.22	4.00	2.11	0.81
10075108	811 1½x1½x½ CxCxC	4.00	3.07	1.31	0.69	1.31	0.69	0.89	1.14	3.07	4.00	2.11	0.81
10075110	811 1½x1½x1 CxCxC	4.25	3.16	1.31	0.82	1.31	0.82	0.97	1.14	3.16	4.25	2.11	0.88
10075112	811 1½x1½x1¼ CxCxC	4.50	3.28	1.31	0.94	1.31	0.94	1.09	1.14	3.28	4.50	2.11	0.90
10066385	811 2x2x½ CxCxC	5.75	6.69	1.51	1.37	1.51	1.37	0.85	4.56	6.69	5.75	2.58	1.84
10075114	811 2x2x¾ CxCxC	4.39	3.65	1.59	0.61	1.59	0.61	0.89	1.47	3.65	4.39	2.58	1.25
10075116	811 2x2x1 CxCxC	4.75	3.72	1.51	0.87	1.51	0.87	0.97	1.47	3.72	4.75	2.58	1.29
10075118	811 2x2x1¼ CxCxC	5.00	3.84	1.51	0.99	1.51	0.99	1.09	1.46	3.84	5.00	2.58	1.34
10075120	811 2x2x1½ CxCxC	5.75	4.35	1.51	1.37	1.51	1.37	1.31	1.76	4.35	5.75	2.58	1.84



* Tolerance +/- .045"
** Tolerance +.09 / -.03

Elkhart Products Corporation
1255 Oak Street, Elkhart, IN 46514
www.elkhartproducts.com (574) 264-3181

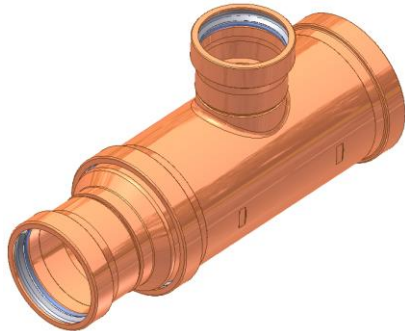
This specification is provided for reference only. Elkhart Products Corporation reserves the right to change any portion of this specification without notice and without incurring obligation to make such changes to Elkhart products previously or subsequently sold.



SUBMITTAL SHEET

811-R Large-Small Diameter Series

APOLLOXPRESS® Press End Copper Tee
Reducer Run-Outlet CxCxC
(2" x 1½" x 2½" through 4" x 3" x 4")



Job Name:	
Job Location:	
Engineer:	
Contractor:	
Tag:	
PO Number:	
Representative:	
Wholesale Distributor:	



DESCRIPTION

The APOLLOXPRESS® 811-R Large-Small Diameter Press Reducing Run-Outlet Tee features a Lead-Free dezincification resistant copper body, a patented stainless-steel solid cross-section Grab Ring, a Nylon Separation Ring and an EPDM O-Ring. Our Large Diameter APOLLOXPRESS® products are manufactured utilizing proven ASTM materials and standards. Proudly Made In The

FEATURES

- Lead-Free Construction
- Leak-Before-Press Technology
- Visual element, Break Away Band (Pat. Pending)
- Compatible with XL-C™ & Pro-press™ Pressing Tools
- Approved for underground installation (per local installation code)
- Use with hard/soft ASTM B88 K, L & M Copper Tube
- Made in USA
- cUPC® Compliant
- ARRA Compliant

PERFORMANCE RATING

- Maximum Pressure: 200 psi
- Temperature Range: 0°F to 250°F depending on application. Hot Water up to 250°F, Chilled Water down to 33°F

APPROVALS

- NSF/ANSI NSF 61 – Water Quality
- NSF/ANSI NSF-372 – Lead Free (LF)
- IAPMO File Listings: 4861, 6174 & N-4951

APOLLOXPRESS

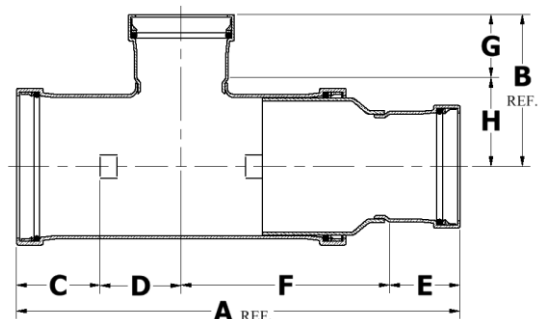
- Large Diameter Sizes 2" x 1½" x 2½" through 4" x 3" x 4"
- Model 811-R, Reducing Outlet-Run Tee CxCxC

STANDARD MATERIALS

Part Name	Material
Body	UNS C12200 Copper
Grab Ring	304 / 306 Stainless Steel
Spacer Ring	Nylon 66
O-Ring	EPDM
Lubrication	Silicone, ANSI/NSF-61 Listed

DIMENSIONS

Item No.	Description	Dimension (in.)											(lb.)
		A	B	C*	D**	E*	F**	G*	H**	Height	Width	Depth	
10066499	811 2x1½x2½ CxCxC	11.99	5.33	1.51	4.53	1.31	4.65	1.90	1.85	5.33	11.99	3.16	4.32
10066595	811 2½x¾x2 CxCxC	9.74	5.08	1.90	1.67	0.89	5.29	1.59	1.92	5.08	9.74	3.16	3.06
10066502	811 2½x¾x2½ CxCxC	9.74	5.33	1.90	1.67	0.89	5.29	1.90	1.85	5.33	9.74	3.16	3.37
10066596	811 2½x1x2 CxCxC	9.55	5.08	1.90	1.67	0.97	5.02	1.59	1.92	5.08	9.55	3.16	3.09
10066514	811 2½x1x2½ CxCxC	9.55	5.33	1.90	1.67	0.97	5.02	1.90	1.85	5.33	9.55	3.16	3.40
10066504	811 2½x1¼x2½ CxCxC	9.43	5.33	1.90	1.67	1.04	4.81	1.90	1.85	5.33	9.43	3.16	3.32
10066597	811 2½x1½x1½ CxCxC	9.52	4.83	1.90	1.67	1.31	4.65	1.47	1.78	4.83	9.52	3.16	3.03
10066598	811 2½x1½x2 CxCxC	9.52	5.08	1.90	1.67	1.31	4.65	1.59	1.92	5.08	9.52	3.16	3.13
10066507	811 2½x1½x2½ CxCxC	9.52	5.33	1.90	1.67	1.31	4.65	1.90	1.85	5.33	9.52	3.16	3.44
10066599	811 2½x2x¾ CxCxC	9.60	5.42	1.90	1.67	1.51	4.52	0.89	2.95	5.42	9.60	3.16	2.80
10066600	811 2½x2x1 CxCxC	9.60	5.21	1.90	1.67	1.51	4.52	0.97	2.66	5.21	9.60	3.16	2.82
10066601	811 2½x2x1¼ CxCxC	9.60	4.58	1.90	1.67	1.51	4.52	1.09	1.92	4.58	9.60	3.16	2.76
10066602	811 2½x2x1½ CxCxC	9.60	4.83	1.90	1.67	1.51	4.52	1.47	1.78	4.83	9.60	3.16	2.94
10066603	811 2½x2x2 CxCxC	9.60	5.08	1.90	1.67	1.51	4.52	1.59	1.92	5.08	9.60	3.16	2.96
10066174	811 2½x2x2½ CxCxC	9.60	5.33	1.90	1.68	1.51	4.52	1.90	1.85	5.33	9.60	3.16	3.27
10066515	811 2½x2x3 CxCxC	13.41	6.18	1.90	5.06	1.51	4.94	2.10	2.24	6.18	13.41	3.68	6.80



* Tolerance +/- .02"
**Tolerance +.15 / -.03

List continued on sheet #2

Elkhart Products Corporation
1255 Oak Street, Elkhart, IN 46514
www.elkhartproducts.com | (574) 264-3181

This specification is provided for reference only. Elkhart Products Corporation reserves the right to change any portion of this specification without notice and without incurring obligation to make such changes to Elkhart products previously or subsequently sold.



SUBMITTAL SHEET

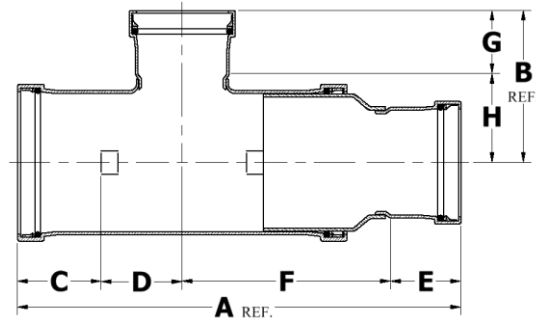
811-R Large-Small Diameter Series

APOLLOXPRESS® Press End Copper Tee
Reducer Run-Outlet CxCxC
(2" x 1½" x 2½" through 4" x 3" x 4")

Job Name:	
Job Location:	
Engineer:	
Contractor:	
Tag:	
PO Number:	
Representative:	
Wholesale Distributor:	

List continued from sheet #1

Item No.	Description	Dimension (in.)											(lb.)
		A	B	C*	D**	E*	F**	G*	H**	Height	Width	Depth	
10066522	811 3x¾x2½ CxCxC	10.77	5.90	2.10	1.88	0.89	5.91	1.90	2.16	5.90	10.77	3.68	4.39
10066523	811 3x¾x3 CxCxC	10.77	6.18	2.10	1.88	0.89	5.91	2.10	2.24	6.18	10.77	3.68	4.78
10066524	811 3x1x2½ CxCxC	10.58	5.90	2.10	1.88	0.97	5.64	1.90	2.16	5.90	10.58	3.68	4.42
10066525	811 3x1x3 CxCxC	10.58	6.18	2.10	1.88	0.97	5.64	2.10	2.24	6.18	10.58	3.68	4.81
10066526	811 3x1½x3 CxCxC	10.45	6.18	2.10	1.87	1.04	5.43	2.10	2.24	6.18	10.45	3.68	4.73
10066527	811 3x1½x3 CxCxC	10.55	6.18	2.10	1.87	1.31	5.27	2.10	2.24	6.18	10.55	3.68	4.85
10066604	811 3x2x2 CxCxC	10.42	5.59	2.10	1.87	1.51	4.94	1.59	2.17	5.59	10.42	3.68	4.51
10066529	811 3x2x2½ CxCxC	10.42	5.90	2.10	1.88	1.51	4.94	1.90	2.16	5.90	10.42	3.68	4.81
10066530	811 3x2x3 CxCxC	10.42	6.18	2.10	1.87	1.51	4.94	2.10	2.24	6.18	10.42	3.68	5.20
10066605	811 3x2½x2 CxCxC	10.93	5.59	2.10	1.87	1.90	5.06	1.59	2.17	5.59	10.93	3.68	4.47
10066136	811 3x2½x2½ CxCxC	10.93	5.90	2.10	1.88	1.90	5.06	1.90	2.16	5.90	10.93	3.68	4.77
10066137	811 3x2½x3 CxCxC	10.93	6.18	2.10	1.87	1.90	5.06	2.10	2.24	6.18	10.93	3.68	5.16
10066538	811 4x1½x3 CxCxC	13.07	7.28	2.50	2.42	1.31	6.84	2.10	2.81	7.28	13.07	4.70	8.43
10066539	811 4x2x4 CxCxC	12.96	7.66	2.50	2.42	1.51	6.54	2.50	2.81	7.66	12.96	4.70	9.90
10066138	811 4x2½x4 CxCxC	13.23	7.66	2.50	2.42	1.90	6.41	2.50	2.81	7.66	13.23	4.70	9.47
10066606	811 4x3x1½ CxCxC	13.24	6.35	2.50	2.42	2.10	6.23	1.43	2.57	6.35	13.24	4.70	7.75
10066607	811 4x3x2 CxCxC	13.24	6.60	2.50	2.42	2.10	6.23	1.59	2.67	6.60	13.24	4.70	7.85
10066139	811 4x3x2½ CxCxC	13.22	6.91	2.50	2.42	2.10	6.20	1.90	2.66	6.91	13.22	4.70	8.18
10066096	811 4x3x3 CxCxC	13.22	7.28	2.50	2.42	2.10	6.20	2.10	2.83	7.28	13.22	4.70	8.50
10066140	811 4x3x4 CxCxC	13.24	7.64	2.50	2.42	2.10	6.23	2.50	2.81	7.64	13.24	4.70	9.69



* Tolerance +/- .02"

** Tolerance +.15 / -.03

This specification is provided for reference only. Elkhart Products Corporation reserves the right to change any portion of this specification without notice and without incurring obligation to make such changes to Elkhart products previously or subsequently sold.

Elkhart Products Corporation
1255 Oak Street, Elkhart, IN 46514
www.elkhartproducts.com | (574) 264-3181



SUBMITTAL SHEET

811-R Small Diameter Series

APOLLOXPRESS® Press End Copper Reducer Run-Outlet Tee
CxCxC (¾" x ½" x ½" through 2" x 1 ½" x 2")



Job Name:	
Job Location:	
Engineer:	
Contractor:	
Tag:	
PO Number:	
Representative:	
Wholesale Distributor:	



DESCRIPTION

The APOLLOXPRESS® 811-R Small Diameter Press Reducing Run & Outlet Tee features a Lead-Free dezincification resistant copper body and an EPDM O-Ring. Our Small Diameter APOLLOXPRESS® products are manufactured utilizing proven ASTM materials and standards. Proudly Made In The USA.

FEATURES

- Lead-Free Construction
- Leak-Before-Press Technology
- Compatible with Pro-Press™ Pressing Tools
- Approved for underground installation (per local installation code)
- Use with hard/soft ASTM B88 K, L & M Copper Tube
- Made in USA
- cUPC® Compliant
- ARRA Compliant

PERFORMANCE RATING

- Maximum Pressure: 200 psi
- Temperature Range: 0°F to 250°F depending on application. Hot Water up to 250°F, Chilled Water down to 33°F

APPROVALS

- NSF/ANSI NSF 61 – Water Quality
- NSF/ANSI NSF-372 – Lead Free (LF)
- IAPMO File Listings: 4861, 6174 & N-4951

APOLLOXPRESS

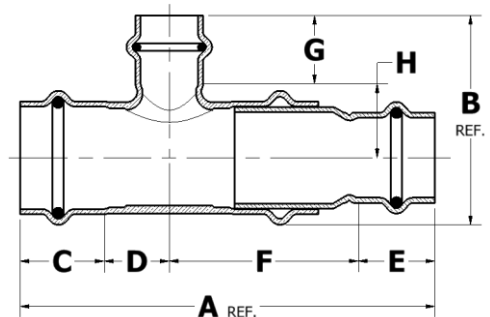
- Small Diameter Size ¾" x ½" x ½" through 2" x 1 ½" x 2"
- Model 811-R, Reducer Run/Outlet Tee CxCxC

STANDARD MATERIALS

Part Name	Material
Body	UNS C12200 Copper
O-Ring	EPDM
Lubrication	Silicone, ANSI/NSF-61 Listed

DIMENSIONS

Item No.	Description	Dimension (in.)										(lb.)	
		A	B	C*	D**	E*	F**	G*	H**	Height	Width		Depth
10066590	811 ¾x½x½ CxCxC	4.25	2.07	0.92	0.65	0.81	1.87	0.76	0.70	2.07	4.25	1.24	0.33
10066039	811 ¾x½x¾ CxCxC	4.58	2.17	0.92	0.82	0.81	2.04	0.92	0.64	2.17	4.58	1.24	0.38
10066591	811 1x½x½ CxCxC	4.74	2.32	0.93	0.72	0.81	2.28	0.76	0.82	2.32	4.74	1.50	0.45
10066592	811 1x½x¾ CxCxC	5.07	2.44	0.98	0.86	0.81	2.42	0.92	0.79	2.44	5.07	1.50	0.49
10066066	811 1x½x1 CxCxC	5.30	2.51	0.98	0.98	0.81	2.54	0.98	0.80	2.51	5.30	1.50	0.55
10066593	811 1x¾x½ CxCxC	4.59	2.32	0.93	0.72	0.85	2.09	0.76	0.82	2.32	4.59	1.50	0.47
10066594	811 1x¾x¾ CxCxC	4.91	2.44	0.98	0.86	0.85	2.23	0.92	0.79	2.44	4.91	1.50	0.51
10066040	811 1x¾x1 CxCxC	5.14	2.51	0.98	0.98	0.85	2.35	0.98	0.80	2.51	5.14	1.50	0.57
10066102	811 1x¾x1½ CxCxC	7.04	2.94	0.93	2.45	0.85	2.82	1.09	0.98	2.94	7.04	1.75	0.99
10066049	811 1¼x½x½ CxCxC	5.87	3.04	1.09	0.98	0.85	2.96	0.85	1.44	3.04	5.87	1.75	0.81
10066080	811 1¼x½x1 CxCxC	5.50	3.04	1.09	0.98	0.81	2.64	0.97	1.20	3.04	5.50	1.75	0.81
10066392	811 1¼x½x1½ CxCxC	5.86	2.94	1.09	0.98	0.85	2.96	1.09	0.98	2.94	5.86	1.75	0.81
10066051	811 1¼x¾x½ CxCxC	5.73	3.04	1.09	0.98	0.85	2.82	0.85	1.44	3.04	5.73	1.75	0.79
10066052	811 1¼x¾x¾ CxCxC	5.73	3.10	1.09	0.98	0.85	2.82	0.89	1.34	3.10	5.73	1.75	0.79
10066053	811 1¼x¾x1 CxCxC	5.73	3.04	1.09	0.98	0.85	2.82	0.97	1.20	3.04	5.73	1.75	0.79



* Tolerance +/- .045"
** Tolerance +.09 / -.03

List continued on sheet #2

This specification is provided for reference only. Elkhart Products Corporation reserves the right to change any portion of this specification without notice and without incurring obligation to make such changes to Elkhart products previously or subsequently sold.

Elkhart Products Corporation
1255 Oak Street, Elkhart, IN 46514
www.elkhartproducts.com (574) 264-3181



SUBMITTAL SHEET

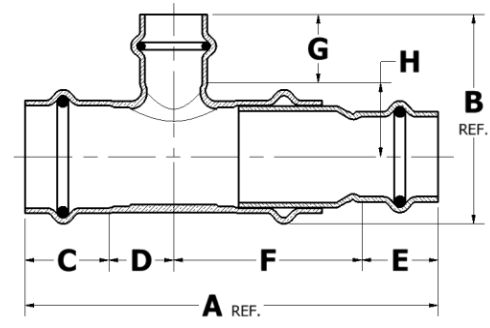
811-R Small Diameter Series

APOLLOXPRESS® Press End Copper Reducer Run-Outlet Tee
CxCxC (3/4" x 1/2" x 1/2" through 2" x 1 1/2" x 2")

List continued from sheet #1

Job Name:	
Job Location:	
Engineer:	
Contractor:	
Tag:	
PO Number:	
Representative:	
Wholesale Distributor:	

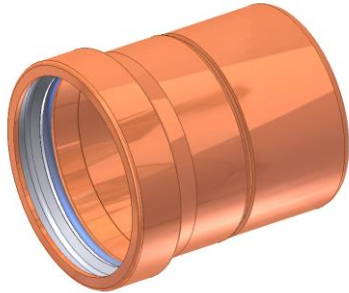
Item No.	Description	Dimension (in.)										(lb.)	
		A	B	C*	D**	E*	F**	G*	H**	Height	Width		Depth
10066054	811 1 1/4 x 3/4 x 1 1/4 CxCxC	5.73	2.94	1.09	0.98	0.85	2.82	1.09	0.98	2.94	5.73	1.75	0.79
10066044	811 1 1/4 x 3/4 x 1 1/2 CxCxC	8.04	3.43	1.04	2.72	0.89	3.40	1.31	1.07	3.43	8.04	1.75	1.47
10066055	811 1 1/4 x 1 x 1 1/2 CxCxC	5.44	3.04	1.09	0.98	0.93	2.45	0.85	1.44	3.04	5.44	1.75	0.83
10075122	811 1 1/4 x 1 x 3/4 CxCxC	4.10	3.10	1.09	0.98	0.97	1.07	0.89	1.34	3.10	4.10	1.75	0.63
10075124	811 1 1/4 x 1 x 1 CxCxC	4.10	3.04	1.09	0.98	0.97	1.07	1.09	1.20	3.04	4.10	1.75	0.63
10066056	811 1 1/4 x 1 x 1 1/4 CxCxC	5.44	2.94	1.09	0.98	0.93	2.45	1.09	0.98	2.94	5.44	2.11	0.83
10066395	811 1 1/4 x 1 x 1 1/2 CxCxC	7.75	3.43	1.04	2.72	0.93	3.07	1.31	1.07	3.43	7.75	2.11	1.50
10066394	811 1 1/2 x 7/8 x 1 1/4 CxCxC	6.38	3.28	1.31	0.94	0.81	3.33	1.09	1.14	3.28	6.38	2.11	1.21
10066009	811 1 1/2 x 1 x 1 1/2 CxCxC	6.63	3.43	1.31	1.07	0.81	3.45	1.31	2.38	3.43	6.63	2.11	1.27
10066195	811 1 1/2 x 3/4 x 3/4 CxCxC	5.91	4.22	1.31	0.69	0.89	3.02	0.81	2.36	4.22	5.91	2.11	1.06
10066383	811 1 1/2 x 3/4 x 3/4 CxCxC	5.91	3.07	1.31	0.69	0.89	3.02	0.89	1.14	3.07	5.91	2.11	1.06
10066397	811 1 1/2 x 3/4 x 1 CxCxC	6.16	3.16	1.31	0.82	0.89	3.15	0.97	1.14	3.16	6.16	2.11	1.13
10066058	811 1 1/2 x 3/4 x 1 1/4 CxCxC	5.97	3.28	1.31	0.94	0.85	2.87	1.09	1.14	3.28	5.97	2.11	1.15
10066043	811 1 1/2 x 3/4 x 1 1/2 CxCxC	6.66	3.43	1.31	1.07	0.89	3.40	1.31	1.07	3.43	6.66	2.11	1.21
10066042	811 1 1/2 x 3/4 x 2 CxCxC	10.11	4.17	1.31	3.57	0.89	4.35	1.51	1.37	4.17	10.11	2.11	2.83
10066011	811 1 1/2 x 1 x 3/4 CxCxC	5.62	3.07	1.31	0.69	0.93	2.69	0.89	1.14	3.07	5.62	2.11	1.09
10066012	811 1 1/2 x 1 x 1 CxCxC	5.87	3.16	1.31	0.82	0.93	2.82	0.97	1.14	3.16	5.87	2.11	1.16
10066081	811 1 1/2 x 1 x 1 1/4 CxCxC	6.12	3.28	1.31	0.94	0.93	2.94	1.09	1.14	3.28	6.12	2.11	1.18
10066013	811 1 1/2 x 1 x 1 1/2 CxCxC	6.37	3.43	1.31	1.07	0.93	3.07	1.31	1.07	3.43	6.37	2.11	1.18
10066108	811 1 1/2 x 1 x 2 CxCxC	9.90	4.17	1.31	3.57	0.97	4.06	1.51	1.37	4.17	9.90	2.11	1.24
10066059	811 1 1/2 x 1 1/4 x 1 1/2 CxCxC	5.38	4.22	1.31	0.69	1.04	2.34	0.81	2.36	4.22	5.38	2.11	1.07
10066060	811 1 1/2 x 1 1/4 x 3/4 CxCxC	5.38	3.07	1.31	0.69	1.04	2.34	0.89	2.02	3.07	5.38	2.11	1.07
10066014	811 1 1/2 x 1 1/4 x 1 CxCxC	5.63	3.16	1.31	0.82	1.04	2.47	0.97	1.14	3.16	5.63	2.11	1.14
10075126	811 1 1/2 x 1 1/4 x 1 1/4 CxCxC	4.37	3.26	1.31	0.94	1.09	1.03	1.09	1.14	3.26	4.37	2.11	0.90
10066393	811 1 1/2 x 1 1/4 x 1 1/2 CxCxC	6.13	3.43	1.31	1.07	1.04	2.72	1.31	1.07	3.43	6.13	2.11	1.22
10066109	811 1 1/2 x 1 1/4 x 2 CxCxC	9.59	4.17	1.31	3.57	1.04	3.67	1.51	1.37	4.17	9.59	2.58	2.78
10066384	811 2 x 7/8 x 2 CxCxC	8.28	4.17	1.51	1.37	0.85	4.56	1.51	1.37	4.17	8.28	2.58	2.18
10066121	811 2 x 3/4 x 3/4 CxCxC	6.67	3.65	1.51	0.61	0.89	3.59	0.89	1.47	3.65	6.67	2.58	1.71
10066092	811 2 x 3/4 x 1 1/2 CxCxC	8.11	4.35	1.51	1.37	0.89	4.35	1.31	1.76	4.35	8.11	2.58	2.30
10066388	811 2 x 3/4 x 2 CxCxC	8.11	4.17	1.51	1.37	0.89	4.35	1.51	1.37	4.17	8.11	2.58	2.30
10066079	811 2 x 1 x 1/2 CxCxC	6.46	4.80	1.59	0.61	0.97	3.30	0.81	2.69	4.80	6.46	2.58	2.33
10066062	811 2 x 1 x 3/4 CxCxC	6.46	3.65	1.59	0.61	0.97	3.30	0.89	1.47	3.65	6.46	2.58	1.74
10066017	811 2 x 1 x 1 CxCxC	6.90	3.72	1.51	0.87	0.97	3.56	0.97	1.47	3.72	6.90	2.58	1.78
10066126	811 2 x 1 x 1 1/4 CxCxC	7.15	3.84	1.51	0.99	0.97	3.68	1.09	1.46	3.84	7.15	2.58	1.83
10066197	811 2 x 1 x 1 1/2 CxCxC	7.90	4.35	1.51	1.37	0.97	4.06	1.31	1.76	4.35	7.90	2.58	2.33
10066018	811 2 x 1 x 2 CxCxC	7.90	4.17	1.51	1.37	0.97	4.06	1.51	1.37	4.17	7.90	2.58	2.33
10066063	811 2 x 1 1/4 x 3/4 CxCxC	6.14	3.65	1.59	0.61	1.04	2.91	0.89	1.47	3.65	6.14	2.58	1.66
10066129	811 2 x 1 1/4 x 1 CxCxC	6.59	3.71	1.51	0.87	1.04	3.17	0.97	1.47	3.71	6.59	2.58	1.70
10066019	811 2 x 1 1/4 x 1 1/4 CxCxC	6.84	3.84	1.51	0.99	1.04	3.29	1.09	1.46	3.84	6.84	2.58	1.75
10066125	811 2 x 1 1/4 x 1 1/2 CxCxC	7.59	4.35	1.51	1.37	1.04	3.67	1.31	1.76	4.35	7.59	2.58	2.25
10066064	811 2 x 1 1/4 x 2 CxCxC	7.59	4.17	1.51	1.37	1.04	3.67	1.51	1.37	4.17	7.59	2.58	2.25
10066065	811 2 x 1 1/2 x 3/4 CxCxC	6.31	4.80	1.59	0.61	1.31	2.81	0.81	2.69	4.80	6.31	2.58	2.37
10066020	811 2 x 1 1/2 x 3/4 CxCxC	6.31	3.65	1.59	0.61	1.31	2.81	0.89	1.47	3.65	6.31	2.58	1.78
10066021	811 2 x 1 1/2 x 1 CxCxC	6.75	3.71	1.51	0.87	1.31	3.07	0.97	1.47	3.71	6.75	2.58	1.82
10066022	811 2 x 1 1/2 x 1 1/4 CxCxC	7.00	3.84	1.51	0.99	1.31	3.19	1.09	1.46	3.84	7.00	2.58	1.87
10066023	811 2 x 1 1/2 x 1 1/2 CxCxC	7.75	4.35	1.51	1.37	1.31	3.57	1.31	1.76	4.35	7.75	2.58	2.37
10066024	811 2 x 1 1/2 x 2 CxCxC	7.75	4.17	1.51	1.37	1.31	3.57	1.51	1.37	4.17	7.75	2.58	2.37



* Tolerance +/- .045"
** Tolerance +.09 / -.03

SUBMITTAL SHEET

817 Large Diameter Series APOLLOXPRESS® Press End Copper Cap C (2 1/2" through 4")



Job Name:	
Job Location:	
Engineer:	
Contractor:	
Tag:	
PO Number:	
Representative:	
Wholesale Distributor:	



DESCRIPTION

The APOLLOXPRESS® 817 Large Diameter Press Cap features a Lead-Free dezincification resistant copper body, a patented stainless-steel solid cross-section Grab Ring, a Nylon Separation Ring and an EPDM O-Ring. Our Large Diameter APOLLOXPRESS® products are manufactured utilizing proven ASTM materials and standards. Proudly Made In The USA.

FEATURES

- Lead-Free Construction
- Leak-Before-Press Technology
- Visual element, Break Away Band (Pat. Pending)
- Compatible with XL-C™ Pressing Tools
- Approved for underground installation (per local installation code)
- Use with hard/soft ASTM B88 K, L & M Copper Tube
- Made in USA
- cUPC® Compliant
- ARRA Compliant

PERFORMANCE RATING

- Maximum Pressure: 200 psi
- Temperature Range: 0°F to 250°F depending on application. Hot Water up to 250°F, Chilled Water down to 33°F

APPROVALS

- NSF/ANSI NSF 61 – Water Quality
- NSF/ANSI NSF-372 – Lead Free (LF)
- IAPMO File Listings: 4861, 6174 & N-4951

APOLLOXPRESS

- Large Diameter Sizes 2 1/2", 3" & 4"
- Model 817, Fitting Cap.

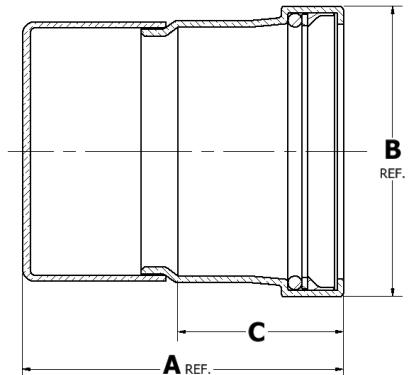
STANDARD MATERIALS

Part Name	Material
Body	UNS C12200 Copper
Grab Ring	304 / 306 Stainless Steel
Spacer Ring	Nylon 66
O-Ring	EPDM
Lubrication	Silicone, ANSI/NSF-61 Listed

DIMENSIONS

Item No.	Description	Dimension (in.)						(lb.)
		A	B	C*	Height	Width	Depth	
10062142	817 2 1/2	3.64	3.16	1.90	3.16	3.64	3.16	1.27
10062147	817 3	4.07	3.68	2.10	3.68	4.07	3.68	1.90
10062152	817 4	4.96	4.70	2.50	4.70	4.96	4.70	3.69

* Tolerance +/- .02"



Elkhart Products Corporation

1255 Oak Street, Elkhart, IN 46514
www.elkhartproducts.com | (574) 264-3181

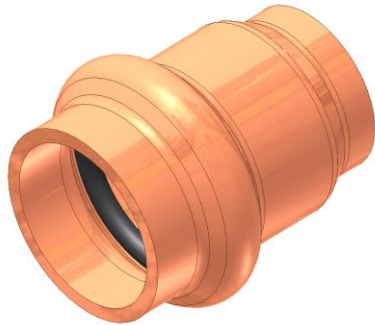
This specification is provided for reference only. Elkhart Products Corporation reserves the right to change any portion of this specification without notice and without incurring obligation to make such changes to Elkhart products previously or subsequently sold.



SUBMITTAL SHEET

817 Small Diameter Series

APOLLOXPRESS® Press End Copper Cap
C (1/2" through 2")



Job Name:	
Job Location:	
Engineer:	
Contractor:	
Tag:	
PO Number:	
Representative:	
Wholesale Distributor:	



DESCRIPTION

The APOLLOXPRESS® 817 Small Diameter Press Cap features a Lead-Free dezincification resistant copper body and an EPDM O-Ring. Our Small Diameter APOLLOXPRESS® products are manufactured utilizing proven ASTM materials and standards. Proudly Made In The USA.

FEATURES

- Lead-Free Construction
- Leak-Before-Press Technology
- Compatible with Pro-Press™ Pressing Tools
- Approved for underground installation (per local installation code)
- Use with hard/soft ASTM B88 K, L & M Copper Tube
- Made in USA
- cUPC® Compliant
- ARRA Compliant

PERFORMANCE RATING

- Maximum Pressure: 200 psi
- Temperature Range: 0°F to 250°F depending on application. Hot Water up to 250°F, Chilled Water down to 33°F

APPROVALS

- NSF/ANSI NSF 61 – Water Quality
- NSF/ANSI NSF-372 – Lead Free (LF)
- IAPMO File Listings: 4861, 6174 & N-4951

APOLLOXPRESS

- Small Diameter Sizes 1/2", Through 2"
- Model 817, Cap C

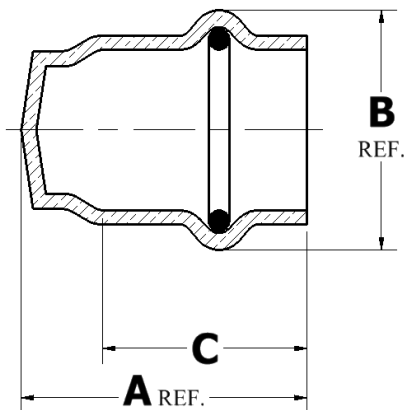
STANDARD MATERIALS

Part Name	Material
Body	UNS C12200 Copper
O-Ring	EPDM
Lubrication	Silicone, ANSI/NSF-61 Listed

DIMENSIONS

Item No.	Description	Dimension (in.)						(lb.)
		A	B	C*	Height	Width	Depth	
10075166	817 1/2	1.13	0.95	0.85	0.95	1.13	0.95	0.06
10075168	817 3/4	1.19	1.24	0.89	1.24	1.19	1.24	0.08
10075170	817 1	1.35	1.49	0.97	1.49	1.35	1.49	0.16
10075172	817 1 1/4	1.53	1.75	1.09	1.75	1.53	1.75	0.18
10075174	817 1 1/2	1.80	2.11	1.22	2.11	1.80	2.11	0.27
10075176	817 2	2.15	2.58	1.51	2.58	2.15	2.58	0.47

* Tolerance +/- .045"



Elkhart Products Corporation

1255 Oak Street, Elkhart, IN 46514

www.elkhartproducts.com | (574) 264-3181

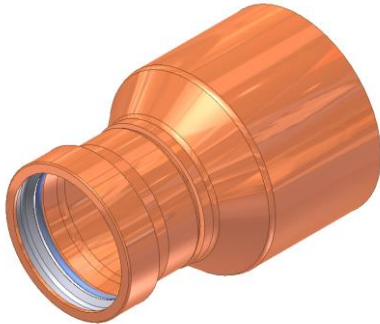
This specification is provided for reference only. Elkhart Products Corporation reserves the right to change any portion of this specification without notice and without incurring obligation to make such changes to Elkhart products previously or subsequently sold.



SUBMITTAL SHEET

818 Large Diameter Series

APOLLOXPRESS® Press End Copper Reducer
FTGxC (2 1/2" through 4")



Job Name:	
Job Location:	
Engineer:	
Contractor:	
Tag:	
PO Number:	
Representative:	
Wholesale Distributor:	



DESCRIPTION

The APOLLOXPRESS® 818 Large Diameter Press Reducer features a Lead-Free dezincification resistant copper body, a patented stainless-steel solid cross-section Grab Ring, a Nylon Separation Ring and an EPDM O-Ring. Our Large Diameter APOLLOXPRESS® products are manufactured utilizing proven ASTM materials and standards. Proudly Made In The USA.

FEATURES

- Lead-Free Construction
- Leak-Before-Press Technology
- Visual element, Break Away Band (Pat. Pending)
- Compatible with XL-C™ Pressing Tools
- Approved for underground installation (per local installation code)
- Use with hard/soft ASTM B88 K, L & M Copper Tube
- Made in USA
- cUPC® Compliant
- ARRA Compliant

PERFORMANCE RATING

- Maximum Pressure: 200 psi
- Temperature Range: 0°F to 250°F depending on application. Hot Water up to 250°F, Chilled Water down to 33°F

APPROVALS

- NSF/ANSI NSF 61 – Water Quality
- NSF/ANSI NSF-372 – Lead Free (LF)
- IAPMO File Listings: 4861, 6174 & N-4951

APOLLOXPRESS

- Large Diameter Sizes 3" x 2 1/2", 4" x 2 1/2", 4" x 3"
- Model 818, Fitting Reducer FTG x C.

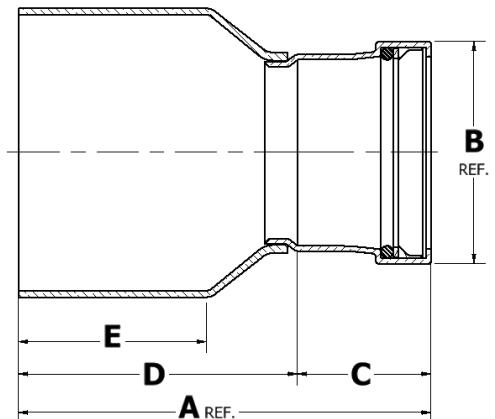
STANDARD MATERIALS

Part Name	Material
Body	UNS C12200 Copper
Grab Ring	304 / 306 Stainless Steel
Spacer Ring	Nylon 66
O-Ring	EPDM
Lubrication	Silicone, ANSI/NSF-61 Listed

DIMENSIONS

Item No.	Description	Dimension (in.)								(lb.)
		A	B	C*	D**	E***	Height	Width	Depth	
10057500	818 3x2 1/2 FTGxC	5.09	3.16	1.90	3.19	2.51	3.16	5.09	3.16	1.60
10057503	818 4x2 1/2 FTGxC	6.02	4.13	1.90	4.12	2.67	4.13	6.02	4.13	2.55
10057506	818 4x3 FTGxC	5.90	4.13	2.10	3.81	2.65	4.13	5.90	4.13	2.77

* Tolerance +/- .02"
** Tolerance +.15 / -.03
*** Tolerance +.12 / -.00



Elkhart Products Corporation
1255 Oak Street, Elkhart, IN 46514
www.elkhartproducts.com | (574) 264-3181

This specification is provided for reference only. Elkhart Products Corporation reserves the right to change any portion of this specification without notice and without incurring obligation to make such changes to Elkhart products previously or subsequently sold.



SUBMITTAL SHEET

818 Large-Small Diameter Series

APOLLOXPRESS® Press End Copper Reducer
FTGxC (2 1/2" x 1/2" through 4" x 2")



Job Name:	
Job Location:	
Engineer:	
Contractor:	
Tag:	
PO Number:	
Representative:	
Wholesale Distributor:	



DESCRIPTION

The APOLLOXPRESS® 818 Large-to-Small Diameter Press Reducer features a Lead-Free dezincification resistant copper body and an EPDM O-Ring. Our Small Diameter APOLLOXPRESS® products are manufactured utilizing proven ASTM materials and standards. Proudly Made In The USA.

FEATURES

- Lead-Free Construction
- Leak-Before-Press Technology
- Compatible with Pro-Press™ Pressing Tools
- Approved for underground installation (per local installation code)
- Use with hard/soft ASTM B88 K, L & M Copper Tube
- Made in USA
- cUPC® Compliant
- ARRA Compliant

PERFORMANCE RATING

- Maximum Pressure: 200 psi
- Temperature Range: 0°F to 250°F depending on application. Hot Water up to 250°F, Chilled Water down to 33°F

APPROVALS

- NSF/ANSI NSF 61 – Water Quality
- NSF/ANSI NSF-372 – Lead Free (LF)
- IAPMO File Listings: 4861, 6174 & N-4951

APOLLOXPRESS

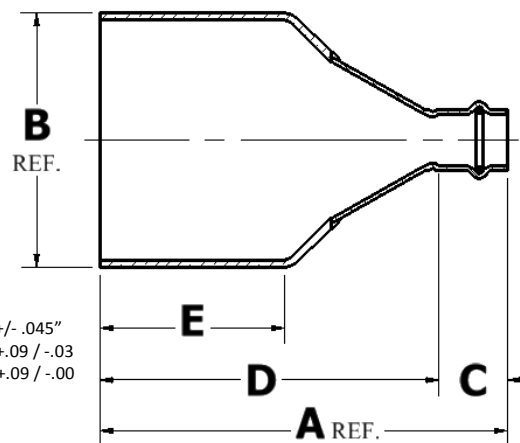
- Small Diameter Sizes 2 1/2" x 1/2" through 4" x 2"
- Model 818, Reducer FTGxC

STANDARD MATERIALS

Part Name	Material
Body	UNS C12200 Copper
O-Ring	EPDM
Lubrication	Silicone, ANSI/NSF-61 Listed

DIMENSIONS

Item No.	Description	Dimension (in.)								(lb.)
		A	B	C*	D**	E***	Height	Width	Depth	
10068025	818 2½x½ FTGxC	4.59	2.63	0.85	3.74	2.00	2.63	4.59	2.63	0.86
10068001	818 2½x¾ FTGxC	4.50	2.63	0.89	3.61	2.00	2.63	4.50	2.63	0.98
10068002	818 2½x1 FTGxC	4.31	2.63	0.97	3.34	2.00	2.63	4.31	2.63	1.01
10068017	818 2½x1¼ FTGxC	4.18	2.63	1.04	3.14	2.00	2.63	4.18	2.63	0.93
10068004	818 2½x1½ FTGxC	4.28	2.63	1.31	2.97	2.00	2.63	4.25	2.63	1.05
10075165	818 2½x2 FTGxC	4.36	2.63	1.51	2.85	2.30	2.63	4.36	2.63	0.88
10068005	818 3x½ FTGxC	5.01	3.13	0.85	4.16	2.27	3.13	5.01	3.13	1.10
10068019	818 3x¾ FTGxC	4.92	3.13	0.89	4.03	2.27	3.13	4.92	3.13	1.22
10068007	818 3x1 FTGxC	4.73	3.13	0.97	3.76	2.27	3.13	4.73	3.13	1.25
10068008	818 3x1¼ FTGxC	4.60	3.13	1.04	3.56	2.27	3.13	4.60	3.13	1.17
10068020	818 3x1½ FTGxC	4.70	3.13	1.31	3.39	2.27	3.13	4.70	3.13	1.29
10068010	818 3x2 FTGxC	4.57	3.13	1.51	3.06	2.26	3.13	4.57	3.13	1.64
10068011	818 4x½ FTGxC	6.02	4.13	0.85	5.17	2.80	4.13	6.02	4.13	2.44
10068022	818 4x¾ FTGxC	5.93	4.13	0.89	5.04	2.80	4.13	5.93	4.13	2.56
10068013	818 4x1 FTGxC	5.74	4.13	0.97	4.77	2.80	4.13	5.74	4.13	2.59
10068014	818 4x1¼ FTGxC	5.61	4.13	1.04	4.57	2.80	4.13	5.61	4.13	2.51
10068023	818 4x1½ FTGxC	5.75	4.13	1.31	4.44	2.80	4.13	5.75	4.13	2.63
10068016	818 4x2 FTGxC	5.60	4.13	1.51	4.09	2.76	4.13	5.60	4.13	2.98



* Tolerance +/- .045"
** Tolerance +.09 / -.03
*** Tolerance +.09 / -.00

Elkhart Products Corporation
1255 Oak Street, Elkhart, IN 46514
www.elkhartproducts.com (574) 264-3181

This specification is provided for reference only. Elkhart Products Corporation reserves the right to change any portion of this specification without notice and without incurring obligation to make such changes to Elkhart products previously or subsequently sold.



SUBMITTAL SHEET

818 Small Diameter Series

APOLLOXPRESS® Press End Copper Reducer
FTGxC (¾" x ½" through 2" x 1½")



Job Name:	
Job Location:	
Engineer:	
Contractor:	
Tag:	
PO Number:	
Representative:	
Wholesale Distributor:	



DESCRIPTION

The APOLLOXPRESS® 818 Small Diameter Press Reducer features a Lead-Free dezincification resistant copper body and an EPDM O-Ring. Our Small Diameter APOLLOXPRESS® products are manufactured utilizing proven ASTM materials and standards. Proudly Made In The USA.

FEATURES

- Lead-Free Construction
- Leak-Before-Press Technology
- Compatible with Pro-Press™ Pressing Tools
- Approved for underground installation (per local installation code)
- Use with hard/soft ASTM B88 K, L & M Copper Tube
- Made in USA
- cUPC® Compliant
- ARRA Compliant

PERFORMANCE RATING

- Maximum Pressure: 200 psi
- Temperature Range: 0°F to 250°F depending on application. Hot Water up to 250°F, Chilled Water down to 33°F

APPROVALS

- NSF/ANSI NSF 61 – Water Quality
- NSF/ANSI NSF-372 – Lead Free (LF)
- IAPMO File Listings: 4861, 6174 & N-4951

APOLLOXPRESS

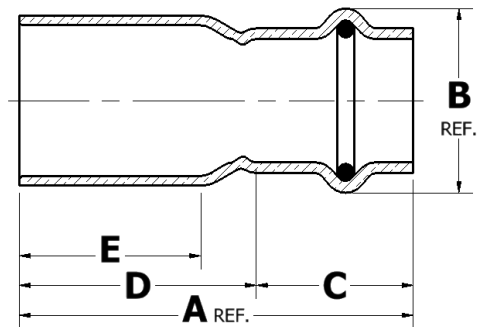
- Small Diameter Sizes ½", Through 2"
- Model 818, Reducer FTGxC

STANDARD MATERIALS

Part Name	Material
Body	UNS C12200 Copper
O-Ring	EPDM
Lubrication	Silicone, ANSI/NSF-61 Listed

DIMENSIONS

Item No.	Description	Dimension (in.)									(lb.)
		A	B	C*	D**	E***	Height	Width	Depth	Weight	
10075146	818 ¾x½ FTGxC	2.07	0.95	0.86	1.22	0.98	0.95	2.03	0.95	0.08	
10075150	818 1x½ FTGxC	2.37	1.25	0.81	1.56	1.10	1.25	2.37	1.25	0.10	
10075148	818 1x¼ FTGxC	2.22	1.25	0.85	1.37	1.10	1.25	2.22	1.25	0.12	
10075336	818 1¼x½ FTGxC	2.83	1.38	0.85	1.98	1.27	1.38	2.83	1.38	0.18	
10075154	818 1¼x¾ FTGxC	2.69	1.38	0.85	1.84	1.34	1.38	2.69	1.38	0.16	
10075156	818 1¼x1 FTGxC	2.40	1.50	0.91	1.48	1.23	1.50	2.40	1.50	0.20	
10075332	818 1½x½ FTGxC	3.19	1.63	0.81	2.38	1.43	1.63	3.19	1.63	0.31	
10075334	818 1½x¾ FTGxC	3.22	1.63	0.89	2.33	1.55	1.63	3.22	1.63	0.25	
10075158	818 1½x1 FTGxC	2.93	1.63	0.93	2.00	1.53	1.63	2.93	1.63	0.28	
10075160	818 1½x1¼ FTGxC	2.69	1.75	1.04	1.65	1.31	1.75	2.69	1.75	0.26	
10075338	818 2x½ FTGxC	4.04	2.13	0.85	3.19	1.83	2.13	4.04	2.13	0.34	
10075340	818 2x¾ FTGxC	3.87	2.13	0.89	2.99	1.83	2.13	3.87	2.13	0.46	
10075162	818 2x1 FTGxC	3.66	2.13	0.97	2.69	1.83	2.13	3.66	2.13	0.49	
10075152	818 2x1¼ FTGxC	3.34	2.13	1.04	2.30	1.60	2.13	3.34	2.13	0.41	
10075164	818 2x1½ FTGxC	3.51	2.13	1.31	2.20	1.77	2.13	3.51	2.13	0.53	



Elkhart Products Corporation
1255 Oak Street, Elkhart, IN 46514
www.elkhartproducts.com | (574) 264-3181

* Tolerance +/- .045"
** Tolerance +.09 / -.03
*** Tolerance +.09 / -.00

This specification is provided for reference only. Elkhart Products Corporation reserves the right to change any portion of this specification without notice and without incurring obligation to make such changes to Elkhart products previously or subsequently sold.



SUBMITTAL SHEET

836 Small Diameter Series

APOLLOXPRESS® Press End Copper Crossover
CxC (1/2" and 3/4")



Job Name:	
Job Location:	
Engineer:	
Contractor:	
Tag:	
PO Number:	
Representative:	
Wholesale Distributor:	



DESCRIPTION

The APOLLOXPRESS® 836 Small Diameter Press Crossover features a Lead-Free dezincification resistant copper body and an EPDM O-Ring. Our Small Diameter APOLLOXPRESS® products are manufactured utilizing proven ASTM materials and standards. Proudly Made In The USA.

FEATURES

- Lead-Free Construction
- Leak-Before-Press Technology
- Compatible with Pro-Press™ Pressing Tools
- Approved for underground installation (per local installation code)
- Use with hard/soft ASTM B88 K, L & M Copper Tube
- Made in USA
- cUPC® Compliant
- ARRA Compliant

PERFORMANCE RATING

- Maximum Pressure: 200 psi
- Temperature Range: 0°F to 250°F depending on application. Hot Water up to 250°F, Chilled Water down to 33°F

APPROVALS

- NSF/ANSI NSF 61 – Water Quality
- NSF/ANSI NSF-372 – Lead Free (LF)
- IAPMO File Listings: 4861, 6174 & N-4951

APOLLOXPRESS

- Small Diameter Sizes 1/2" and 3/4"
- Model 836, Reducer CxC

STANDARD MATERIALS

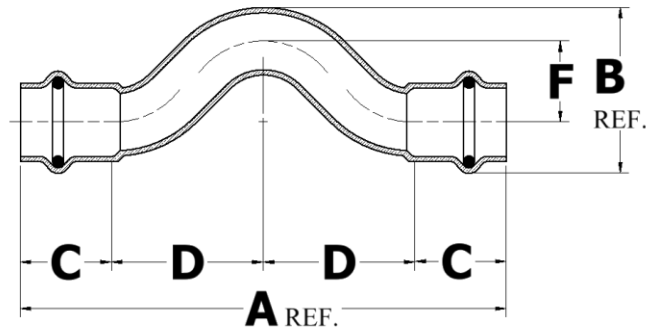
Part Name	Material
Body	UNS C12200 Copper
O-Ring	EPDM
Lubrication	Silicone, ANSI/NSF-61 Listed

DIMENSIONS

Item No.	Description	Dimension (in.)									(lb.)
		A	B	C*	D**	E*	F**	Height	Width	Depth	
10075370	836 1/2 CxC	4.50	1.54	0.81	1.44	0.81	1.44	1.54	4.50	1.54	0.16
10075372	836 3/4 CxC	5.50	2.06	0.84	1.91	0.84	1.91	2.06	5.50	2.06	0.28

* Tolerance +/- .045"

** Tolerance +.09 / -.03



Elkhart Products Corporation
1255 Oak Street, Elkhart, IN 46514
www.elkhartproducts.com (574) 264-3181

This specification is provided for reference only. Elkhart Products Corporation reserves the right to change any portion of this specification without notice and without incurring obligation to make such changes to Elkhart products previously or subsequently sold.



SUBMITTAL SHEET

8707-3 Small Diameter Series APOLLOXPRESS® Press End Copper/Brass Elbow 90° CxF (N.P.T.) (½” Through 2”)



Job Name:	
Job Location:	
Engineer:	
Contractor:	
Tag:	
PO Number:	
Representative:	
Wholesale Distributor:	



DESCRIPTION

The APOLLOXPRESS® 8707-3 Small Diameter Press Elbow features a Lead-Free dezincification resistant copper and brass body and an EPDM O-Ring. Our Small Diameter APOLLOXPRESS® products are manufactured utilizing proven ASTM materials and standards. Proudly Made In The USA.

FEATURES

- Lead-Free Construction
- Leak-Before-Press Technology
- Female N.P.T. per ANSI/ASME B1.20.1
- Compatible with Pro-Press™ Pressing Tools
- Approved for underground installation (per local installation code)
- Use with hard/soft ASTM B88 K, L & M Copper Tube
- Made in USA
- cUPC® Compliant
- ARRA Compliant

PERFORMANCE RATING

- Maximum Pressure: 200 psi
- Temperature Range: 0°F to 250°F depending on application. Hot Water up to 250°F, Chilled Water down to 33°F

APPROVALS

- NSF/ANSI NSF 61 ~ Water Quality
- NSF/ANSI NSF-372 ~ Lead Free (LF)
- IAPMO File Listings: 4861. 6174 & N-4951

APOLLOXPRESS

- Large Diameter Sizes ½” Through 2”
- Model 8707-3, Elbow with Female N.P.T.

STANDARD MATERIALS

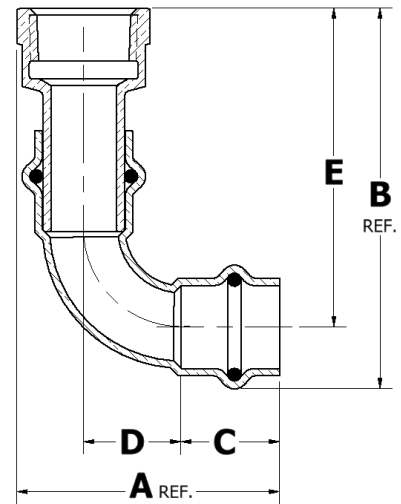
Part Name	Material
Elbow Body	UNS C12200 Copper
Brass Body	UNS C27451 Brass
O-Ring	EPDM
Lubrication	Silicone, ANSI/NSF-61 Listed

DIMENSIONSS

Item No.	Description	Dimension (in.)								(lb.)
		A	B	C*	D**	E**	Height	Width	Depth	
10066560	8707-3 ½ CxF	2.10	3.00	0.76	0.75	2.44	3.00	2.10	1.02	0.22
10066561	8707-3 ¾ CxF	2.58	3.54	0.93	1.03	2.92	3.54	2.58	1.25	0.34
10066562	8707-3 1 CxF	2.99	4.07	0.92	1.31	3.33	4.07	2.99	1.53	0.52
10066563	8707-3 1¼ CxF	3.92	4.91	1.09	1.87	4.04	4.91	3.92	1.93	0.77
10066564	8707-3 1½ CxF	4.43	5.63	1.31	2.02	4.58	5.63	4.43	2.20	1.24
10066565	8707-3 2 CxF	5.43	6.60	1.51	2.55	5.32	6.60	5.43	2.74	1.70

* Tolerance +/- .05"
** Tolerance +.09 / -.03

Note:
These fittings are crimped two-piece construction.



Elkhart Products Corporation
1255 Oak Street, Elkhart, IN 46514
www.elkhartproducts.com | (574) 264-3181

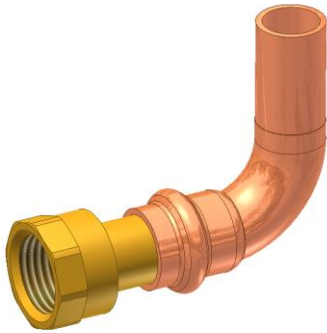
This specification is provided for reference only. Elkhart Products Corporation reserves the right to change any portion of this specification without notice and without incurring obligation to make such changes to Elkhart products previously or subsequently sold.



SUBMITTAL SHEET

8707-3-2 Small Diameter Series

APOLLOXPRESS® Press End Copper/Brass Street Elbow
90° FTGxF (1/2" x 1/2")



Job Name:	
Job Location:	
Engineer:	
Contractor:	
Tag:	
PO Number:	
Representative:	
Wholesale Distributor:	



DESCRIPTION

The APOLLOXPRESS® 8707-3-2 Small Diameter Press Street Elbow features a Lead-Free dezincification resistant copper and brass body and an EPDM O-Ring. Our Small Diameter APOLLOXPRESS® products are manufactured utilizing proven ASTM materials and standards. Proudly Made In The USA.

FEATURES

- Lead-Free Construction
- Leak-Before-Press Technology
- Compatible with Pro-Press™ Pressing Tools
- Approved for underground installation (per local installation code)
- Use with hard/soft ASTM B88 K, L & M Copper Tube
- Made in USA
- cUPC® Compliant
- ARRA Compliant

PERFORMANCE RATING

- Maximum Pressure: 200 psi
- Temperature Range: 0°F to 250°F depending on application. Hot Water up to 250°F, Chilled Water down to 33°F

APPROVALS

- NSF/ANSI NSF 61 ~ Water Quality
- NSF/ANSI NSF-372 ~ Lead Free (LF)
- IAPMO File Listings: 4861, 6174 & N-4951

APOLLOXPRESS

- Large Diameter Sizes 1/2" x 1/2"
- Model 8707-3-2, Street Elbow

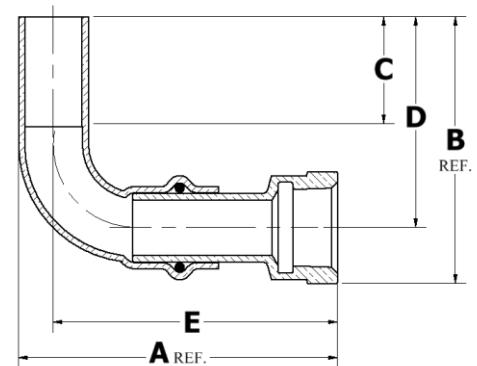
STANDARD MATERIALS

Part Name	Material
Elbow Body	UNS C12200 Copper
Brass Body	UNS C27451 Brass
O-Ring	EPDM
Lubrication	Silicone, ANSI/NSF-61 Listed

DIMENSIONSS

Item No.	Description	Dimension (in.)							(lb.)
		A	B	C*	D**	Height	Width	Depth	
10066578	8707-3-2 1/2 FTGxF	2.87	2.42	0.97	1.91	2.42	2.87	1.02	0.22

* Tolerance +.06 / -.00"
** Tolerance +.07 / -.03



Elkhart Products Corporation
1255 Oak Street, Elkhart, IN 46514
www.elkhartproducts.com | (574) 264-3181

Note:
These fittings are crimped two-piece construction.

This specification is provided for reference only. Elkhart Products Corporation reserves the right to change any portion of this specification without notice and without incurring obligation to make such changes to Elkhart products previously or subsequently sold.



SUBMITTAL SHEET

8707-3-5 Small Diameter Series

APOLLOXPRESS® Press End Copper & Brass Drop Ear Elbow CxF (N.P.T.) (½" through 1")



Job Name:	
Job Location:	
Engineer:	
Contractor:	
Tag:	
PO Number:	
Representative:	
Wholesale Distributor:	



DESCRIPTION

The APOLLOXPRESS® 8707-3-5 Small Diameter Press Drop Ear Elbow features a Lead-Free dezincification resistant copper body and an EPDM O-Ring. Our Small Diameter APOLLOXPRESS® products are manufactured utilizing proven ASTM materials and standards. Proudly Made In The USA.

FEATURES

- Lead-Free Construction
- Leak-Before-Press Technology
- Female N.P.T. per ANSI/ASME B1.20.1
- Compatible with Pro-Press™ Pressing Tools
- Approved for underground installation (per local installation code)
- Use with hard/soft ASTM B88 K, L & M Copper Tube
- Made in USA
- cUPC® Compliant
- ARRA Compliant

PERFORMANCE RATING

- Maximum Pressure: 200 psi
- Temperature Range: 0°F to 250°F depending on application. Hot Water up to 250°F, Chilled Water down to 33°F

APPROVALS

- NSF/ANSI NSF 61 – Water Quality
- NSF/ANSI NSF-372 – Lead Free (LF)
- IAPMO File Listings: 4861, 6174 & N-4951

APOLLOXPRESS

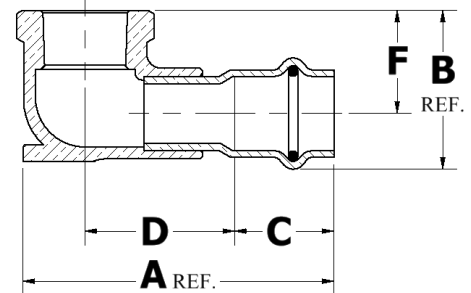
- Small Diameter Sizes ½" through 1"
- Model 8707-3-5, Drop Ear Elbow CxF (N.P.T.)

STANDARD MATERIALS

Part Name	Material
Body	UNS C12200 Copper
O-Ring	EPDM
Lubrication	Silicone, ANSI/NSF-61 Listed

DIMENSIONS

Item No.	Description	Dimension (in.)								(lb.)
		A	B	C*	D**	E**	Height	Width	Depth	
10075366	8707-3-5 ½ CxF	2.71	1.35	0.85	1.28	0.88	1.35	2.71	2.12	0.32
10075368	8707-3-5 ¾ CxF	3.28	1.62	0.89	1.70	1.00	1.62	3.28	2.34	0.56
10075369	8707-3-5 1 CxF	3.77	1.96	0.97	1.93	1.25	1.96	3.77	2.59	0.74



* Tolerance +/- .045"
 ** Tolerance +.09 / -.03

Elkhart Products Corporation
 1255 Oak Street, Elkhart, IN 46514
 www.elkhartproducts.com (574) 264-3181

This specification is provided for reference only. Elkhart Products Corporation reserves the right to change any portion of this specification without notice and without incurring obligation to make such changes to Elkhart products previously or subsequently sold.



SUBMITTAL SHEET

8707-4 Small Diameter Series

APOLLOXPRESS® Press End Copper/Brass Elbow
90° CxM (N.P.T.) (1/2" x 3/8" Through 1" x 1/2")



Job Name:	
Job Location:	
Engineer:	
Contractor:	
Tag:	
PO Number:	
Representative:	
Wholesale Distributor:	



DESCRIPTION

The APOLLOXPRESS® 8707R-4 Small Diameter Press Elbow features a Lead-Free dezincification resistant copper and brass body and an EPDM O-Ring. Our Small Diameter APOLLOXPRESS® products are manufactured utilizing proven ASTM materials and standards. Proudly Made In The USA.

FEATURES

- Lead-Free Construction
- Leak-Before-Press Technology
- Male N.P.T. per ANSI/ASME B1.20.1
- Compatible with Pro-Press™ Pressing Tools
- Approved for underground installation (per local installation code)
- Use with hard/soft ASTM B88 K, L & M Copper Tube
- Made in USA
- cUPC® Compliant
- ARRA Compliant

PERFORMANCE RATING

- Maximum Pressure: 200 psi
- Temperature Range: 0°F to 250°F depending on application. Hot Water up to 250°F, Chilled Water down to 33°F

APPROVALS

- NSF/ANSI NSF 61 ~ Water Quality
- NSF/ANSI NSF-372 ~ Lead Free (LF)
- IAPMO File Listings: 4861, 6174 & N-4951

APOLLOXPRESS

- Large Diameter Sizes 1/2" x 3/8" Through 1" x 1/2"
- Model 8707-4, Reducing Elbow with Male N.P.T.

STANDARD MATERIALS

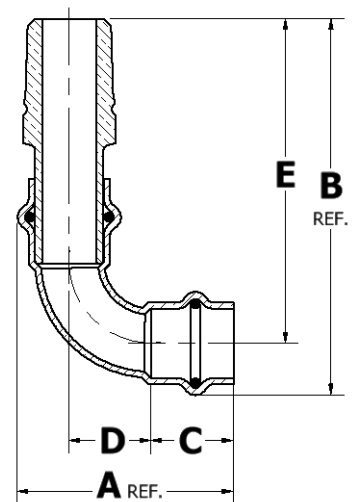
Part Name	Material
Elbow Body	UNS C12200 Copper
Brass Body	UNS C27451 Brass
O-Ring	EPDM
Lubrication	Silicone, ANSI/NSF-61 Listed

DIMENSIONSS

Item No.	Description	Dimension (in.)								(lb.)
		A	B	C*	D**	E**	Height	Width	Depth	
10066570	8707-4 1/2 CxM	1.97	3.43	0.76	0.74	2.96	3.43	1.97	0.94	0.24
10066571	8707-4 3/4 CxM	2.58	4.00	0.93	1.03	3.58	4.00	2.58	1.25	0.40
10066572	8707-4 1 CxM	2.97	4.76	0.92	1.31	4.02	4.76	2.97	1.49	0.62
10066573	8707-4 1 1/4 CxM	3.83	5.54	1.09	1.87	4.67	5.54	3.83	1.75	0.81
10066574	8707-4 1 1/2 CxM	4.37	6.30	1.31	2.02	5.26	6.30	4.37	2.11	1.36
10066575	8707-4 2 CxM	5.35	7.25	1.51	2.55	5.97	7.25	5.35	2.58	1.90

* Tolerance +/- .05"
** Tolerance +.09 / -.03

Note:
These fittings are crimped two-piece construction.



Elkhart Products Corporation
1255 Oak Street, Elkhart, IN 46514
www.elkhartproducts.com | (574) 264-3181

This specification is provided for reference only. Elkhart Products Corporation reserves the right to change any portion of this specification without notice and without incurring obligation to make such changes to Elkhart products previously or subsequently sold.



SUBMITTAL SHEET

8707-3-R Small Diameter Series

APOLLOXPRESS® Press End **Copper/Brass Elbow**
Reducing 90° CxF (N.P.T.) (½" x ⅜" Through 1" x ½")



Job Name:	
Job Location:	
Engineer:	
Contractor:	
Tag:	
PO Number:	
Representative:	
Wholesale Distributor:	



DESCRIPTION

The APOLLOXPRESS® 8707-3-R Small Diameter Press Reducing Elbow features a Lead-Free dezincification resistant copper and brass body and an EPDM O-Ring. Our Small Diameter APOLLOXPRESS® products are manufactured utilizing proven ASTM materials and standards. Proudly Made In The USA.

FEATURES

- Lead-Free Construction
- Leak-Before-Press Technology
- Male N.P.T. per ANSI/ASME B1.20.1
- Compatible with Pro-Press™ Pressing Tools
- Approved for underground installation (per local installation code)
- Use with hard/soft ASTM B88 K, L & M Copper Tube
- Made in USA
- cUPC® Compliant
- ARRA Compliant

PERFORMANCE RATING

- Maximum Pressure: 200 psi
- Temperature Range: 0°F to 250°F depending on application. Hot Water up to 250°F, Chilled Water down to 33°F

APPROVALS

- NSF/ANSI NSF 61 ~ Water Quality
- NSF/ANSI NSF-372 ~ Lead Free (LF)
- IAPMO File Listings: 4861. 6174 & N-4951

APOLLOXPRESS

- Large Diameter Sizes ½" x ⅜" Through 1" x ½"
- Model 8707-3-R, Reducing Elbow with (N.P.T.)

STANDARD MATERIALS

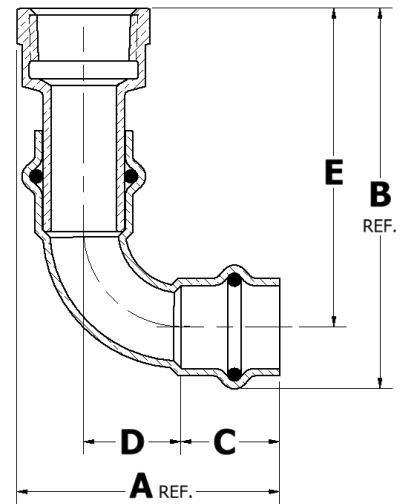
Part Name	Material
Elbow Body	UNS C12200 Copper
Brass Body	UNS C27451 Brass
O-Ring	EPDM
Lubrication	Silicone, ANSI/NSF-61 Listed

DIMENSIONSS

Item No.	Description	Dimension (in.)								(lb.)
		A	B	C*	D**	E*	Height	Width	Depth	
10066566	8707-3 ½x⅜ CxF	1.97	2.76	0.76	0.74	2.29	2.76	1.97	0.94	0.20
10066567	8707-3 ½x¼ CxF	2.13	2.99	0.76	0.74	2.52	2.99	2.13	1.26	0.24
10066568	8707-3 ¾x½ CxF	2.58	3.47	0.93	1.03	2.85	3.47	2.58	1.24	0.35
10066569	8707-3 1x½ CxF	2.97	3.68	0.92	1.31	2.95	3.68	2.97	1.49	0.48

* Tolerance +/- .05"
** Tolerance +.09 / -.03

Note:
These fittings are crimped two-piece construction.



Elkhart Products Corporation
1255 Oak Street, Elkhart, IN 46514
www.elkhartproducts.com | (574) 264-3181

This specification is provided for reference only. Elkhart Products Corporation reserves the right to change any portion of this specification without notice and without incurring obligation to make such changes to Elkhart products previously or subsequently sold.



SUBMITTAL SHEET

8707-3-5-R Small Diameter Series

APOLLOXPRESS® Press End Copper & Brass Drop Ear Elbow CxF (N.P.T.) (1/2" x 3/8")



Job Name:	
Job Location:	
Engineer:	
Contractor:	
Tag:	
PO Number:	
Representative:	
Wholesale Distributor:	

APOLLOXPRESS
Your Single Source Solution for Press Technology



DESCRIPTION

The APOLLOXPRESS® 8707-3-5-R Small Diameter Press Reducing Drop Ear Elbow features a Lead-Free dezincification resistant copper body and an EPDM O-Ring. Our Small Diameter APOLLOXPRESS® products are manufactured utilizing proven ASTM materials and standards. Proudly Made In The USA.

FEATURES

- Lead-Free Construction
- Leak-Before-Press Technology
- Female N.P.T. per ANSI/ASME B1.20.1
- Compatible with Pro-Press™ Pressing Tools
- Approved for underground installation (per local installation code)
- Use with hard/soft ASTM B88 K, L & M Copper Tube
- Made in USA
- cUPC® Compliant
- ARRA Compliant

PERFORMANCE RATING

- Maximum Pressure: 200 psi
- Temperature Range: 0°F to 250°F depending on application. Hot Water up to 250°F, Chilled Water down to 33°F

APPROVALS

- NSF/ANSI NSF 61 – Water Quality
- NSF/ANSI NSF-372 – Lead Free (LF)
- IAPMO File Listings: 4861, 6174 & N-4951

APOLLOXPRESS

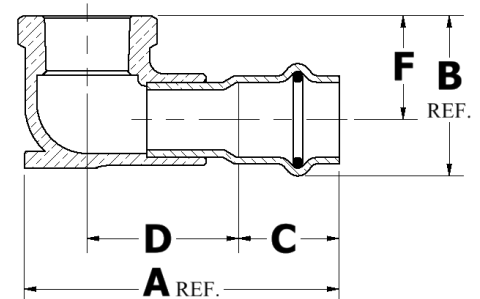
- Small Diameter Size 1/2" x 3/8"
- Model 8707-3-5-R, Reducing Drop Ear Elbow CxF (N.P.T.)

STANDARD MATERIALS

Part Name	Material
Body	UNS C12200 Copper
O-Ring	EPDM
Lubrication	Silicone, ANSI/NSF-61 Listed

DIMENSIONS

Item No.	Description	Dimension (in.)								(lb.)
		A	B	C*	D**	E**	Height	Width	Depth	Weight
10075367	8707-3-5 1/2x3/8 CxF	2.56	1.09	0.85	1.21	0.71	1.09	2.56	1.59	0.30



* Tolerance +/- .045"
** Tolerance +.09 / -.03

Elkhart Products Corporation
1255 Oak Street, Elkhart, IN 46514
www.elkhartproducts.com (574) 264-3181

This specification is provided for reference only. Elkhart Products Corporation reserves the right to change any portion of this specification without notice and without incurring obligation to make such changes to Elkhart products previously or subsequently sold.



SUBMITTAL SHEET

8707-4-R Small Diameter Series

APOLLOXPRESS® Press End Copper/Brass Elbow
Reducing 90° CxM (N.P.T.) (½" x ¾" & ¾" x ½")



Job Name:	
Job Location:	
Engineer:	
Contractor:	
Tag:	
PO Number:	
Representative:	
Wholesale Distributor:	



DESCRIPTION

The APOLLOXPRESS® 8707-4-R Small Diameter Press Elbow features a Lead-Free dezincification resistant copper and brass body and an EPDM O-Ring. Our Small Diameter APOLLOXPRESS® products are manufactured utilizing proven ASTM materials and standards. Proudly Made In The USA.

FEATURES

- Lead-Free Construction
- Leak-Before-Press Technology
- Male N.P.T. per ANSI/ASME B1.20.1
- Compatible with Pro-Press™ Pressing Tools
- Approved for underground installation (per local installation code)
- Use with hard/soft ASTM B88 K, L & M Copper Tube
- Made in USA
- cUPC® Compliant
- ARRA Compliant

APOLLOXPRESS

- Large Diameter Sizes ½" x ¾" Through 1" x ½"
- Model 8707-4-R, Reducing Elbow with Male N.P.T.

PERFORMANCE RATING

- Maximum Pressure: 200 psi
- Temperature Range: 0°F to 250°F depending on application. Hot Water up to 250°F, Chilled Water down to 33°F

STANDARD MATERIALS

Part Name	Material
Elbow Body	UNS C12200 Copper
Brass Body	UNS C27451 Brass
O-Ring	EPDM
Lubrication	Silicone, ANSI/NSF-61 Listed

APPROVALS

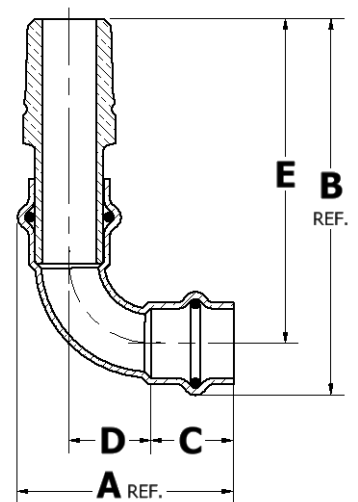
- NSF/ANSI NSF 61 ~ Water Quality
- NSF/ANSI NSF-372 ~ Lead Free (LF)
- IAPMO File Listings: 4861. 6174 & N-4951

DIMENSIONS

Item No.	Description	Dimension (in.)								(lb.)
		A	B	C*	D**	E*	Height	Width	Depth	
10066576	8707-4 ½x¾ CxM	2.03	3.62	0.76	0.74	3.15	3.62	2.03	1.05	0.36
10066577	8707-4 ¾x½ CxM	2.58	3.94	0.93	1.03	3.32	3.94	2.58	1.24	0.35

* Tolerance +/- .05"
** Tolerance +.09 / -.03

Note:
These fittings are crimped two-piece construction.



Elkhart Products Corporation
1255 Oak Street, Elkhart, IN 46514
www.elkhartproducts.com | (574) 264-3181

This specification is provided for reference only. Elkhart Products Corporation reserves the right to change any portion of this specification without notice and without incurring obligation to make such changes to Elkhart products previously or subsequently sold.



SUBMITTAL SHEET

8712 Small Diameter Series

APOLLOXPRESS® Press End Copper/Brass Tee
CxCxF (N.P.T.) (¾" x ½" through 2" x ¾")



Job Name:	
Job Location:	
Engineer:	
Contractor:	
Tag:	
PO Number:	
Representative:	
Wholesale Distributor:	



DESCRIPTION

The APOLLOXPRESS® 8712 Small Diameter Press Reducing Run Tee features a Lead-Free dezincification resistant copper body and an EPDM O-Ring. Our Small Diameter APOLLOXPRESS® products are manufactured utilizing proven ASTM materials and standards. Proudly Made In The USA.

FEATURES

- Lead-Free Construction
- Leak-Before-Press Technology
- Female N.P.T. per ANSI/ASME B1.20.1
- Compatible with Pro-Press™ Pressing Tools
- Approved for underground installation (per local installation code)
- Use with hard/soft ASTM B88 K, L & M Copper Tube
- Made in USA
- cUPC® Compliant
- ARRA Compliant

PERFORMANCE RATING

- Maximum Pressure: 200 psi
- Temperature Range: 0°F to 250°F depending on application. Hot Water up to 250°F, Chilled Water down to 33°F

APPROVALS

- NSF/ANSI NSF 61 – Water Quality
- NSF/ANSI NSF-372 – Lead Free (LF)
- IAPMO File Listings: 4861, 6174 & N-4951

APOLLOXPRESS

- Small Diameter Sizes ¾" x ½" through 2" x ¾"
- Model 8712, Tee CxCx F (N.P.T.)

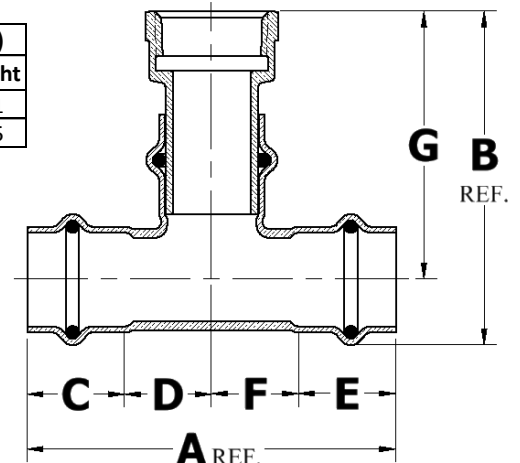
STANDARD MATERIALS

Part Name	Material
Body	UNS C12200 Copper
Outlet Body	UNS C27451 Brass
O-Ring	EPDM
Lubrication	Silicone, ANSI/NSF-61 Listed

DIMENSIONS

Item No.	Description	Dimension (in.)										(lb.)
		A	B	C*	D**	E*	F**	G**	Height	Width	Depth	
10066399	8712 ½ CxCx F	3.04	2.65	0.83	0.70	0.83	0.70	2.18	2.65	3.04	1.01	0.31
10066154	8712 ¾ CxCx F	3.47	3.14	0.92	0.82	0.92	0.82	2.52	3.14	3.47	1.25	0.45

* Tolerance +/- .05"
** Tolerance +.09 / -.03



Elkhart Products Corporation
1255 Oak Street, Elkhart, IN 46514
www.elkhartproducts.com | (574) 264-3181

This specification is provided for reference only. Elkhart Products Corporation reserves the right to change any portion of this specification without notice and without incurring obligation to make such changes to Elkhart products previously or subsequently sold.



SUBMITTAL SHEET

8712-R Small Diameter Series

APOLLOXPRESS® Press End Copper/Brass Reducing Tee
Reducing Outlet CxCxF (N.P.T.) (¾" x ½" through 2" x ¾")



Job Name:	
Job Location:	
Engineer:	
Contractor:	
Tag:	
PO Number:	
Representative:	
Wholesale Distributor:	



DESCRIPTION

The APOLLOXPRESS® 8712-R Small Diameter Press Reducing Outlet Tee features a Lead-Free dezincification resistant copper body and an EPDM O-Ring. Our Small Diameter APOLLOXPRESS® products are manufactured utilizing proven ASTM materials and standards. Proudly Made In The USA.

FEATURES

- Lead-Free Construction
- Leak-Before-Press Technology
- Female N.P.T. per ANSI/ASME B1.20.1
- Compatible with Pro-Press™ Pressing Tools
- Approved for underground installation (per local installation code)
- Use with hard/soft ASTM B88 K, L & M Copper Tube
- Made in USA
- cUPC® Compliant
- ARRA Compliant

PERFORMANCE RATING

- Maximum Pressure: 200 psi
- Temperature Range: 0°F to 250°F depending on application. Hot Water up to 250°F, Chilled Water down to 33°F

APPROVALS

- NSF/ANSI NSF 61 – Water Quality
- NSF/ANSI NSF-372 – Lead Free (LF)
- IAPMO File Listings: 4861, 6174 & N-4951

APOLLOXPRESS

- Small Diameter Sizes ¾" x ½" through 2" x ¾"
- Model 8712-R, Reducing Outlet Tee CxCxF (N.P.T.)

STANDARD MATERIALS

Part Name	Material
Body	UNS C12200 Copper
Outlet Body	UNS C27451 Brass
O-Ring	EPDM
Lubrication	Silicone, ANSI/NSF-61 Listed

DIMENSIONS

Item No.	Description	Dimension (in.)										(lb.)
		A	B	C*	D**	E*	F**	G**	Height	Width	Depth	
10066581	8712 ¾x¾x½ CxCxF	3.13	3.01	0.92	0.65	0.92	0.65	2.39	3.01	3.13	1.24	0.36
10066582	8712 1x1x½ CxCxF	3.67	3.35	0.98	0.86	0.98	0.86	2.61	3.35	3.67	1.50	0.46
10066583	8712 1x1x¾ CxCxF	3.67	3.42	0.98	0.86	0.98	0.86	2.67	3.42	3.67	1.50	0.54
10066584	8712 1¼x1¼x½ CxCxF	4.12	4.04	1.09	0.98	1.09	0.98	3.16	4.04	4.12	1.75	0.74
10066855	8712 1¼x1¼x¾ CxCxF	4.12	4.10	1.09	0.98	1.09	0.98	3.23	4.10	4.12	1.75	0.78
10066856	8712 1½x1½x½ CxCxF	4.00	4.01	1.31	0.69	1.31	0.69	2.96	4.01	4.00	2.11	0.92
10066587	8712 1½x1½x¾ CxCxF	4.00	4.08	1.31	0.69	1.31	0.69	3.02	4.08	4.00	2.11	0.96
10066588	8712 2x2x½ CxCxF	4.39	4.57	1.59	0.61	1.59	0.61	3.30	4.57	4.39	2.58	1.95
10066589	8712 2x2x¾ CxCxF	4.39	4.64	1.59	0.61	1.59	0.61	3.36	4.64	4.39	2.58	1.40

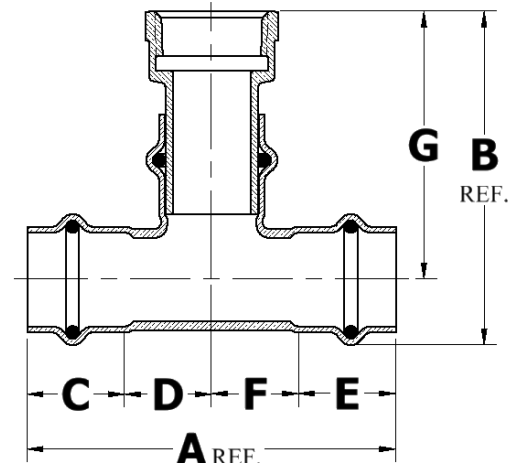
* Tolerance +/- .05"

** Tolerance +.09 / -.03

Elkhart Products Corporation

1255 Oak Street, Elkhart, IN 46514

www.elkhartproducts.com | (574) 264-3181

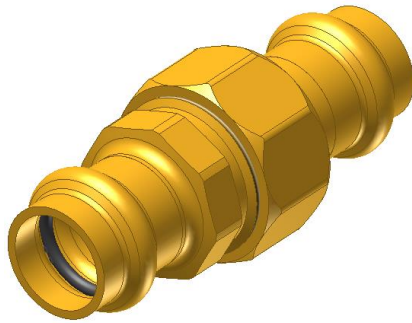


This specification is provided for reference only. Elkhart Products Corporation reserves the right to change any portion of this specification without notice and without incurring obligation to make such changes to Elkhart products previously or subsequently sold.



SUBMITTAL SHEET

8733 Small Diameter Series APOLLOXPRESS® Press End Brass Union CxC (½" through 2")



Job Name:	
Job Location:	
Engineer:	
Contractor:	
Tag:	
PO Number:	
Representative:	
Wholesale Distributor:	



DESCRIPTION

The APOLLOXPRESS® 8733 Small Diameter Press Brass Union features a Lead-Free dezincification resistant brass body and an EPDM O-Ring. Our Small Diameter APOLLOXPRESS® products are manufactured utilizing proven ASTM materials and standards. Proudly Made In The USA.

FEATURES

- Lead-Free Construction
- Leak-Before-Press Technology
- Compatible with Pro-Press™ Pressing Tools
- Approved for underground installation (per local installation code)
- Use with hard/soft ASTM B88 K, L & M Copper Tube
- Made in USA
- cUPC® Compliant
- ARRA Compliant

PERFORMANCE RATING

- Maximum Pressure: 200 psi
- Temperature Range: 0°F to 250°F depending on application. Hot Water up to 250°F, Chilled Water down to 33°F

APPROVALS

- NSF/ANSI NSF 61 ~ Water Quality
- NSF/ANSI NSF-372 ~ Lead Free (LF)
- IAPMO File Listings: 4861, 6174 & N-4951

APOLLOXPRESS

- Small Diameter Sizes ½" through 2"
- Model 8733, Brass Male Adapter CxC

STANDARD MATERIALS

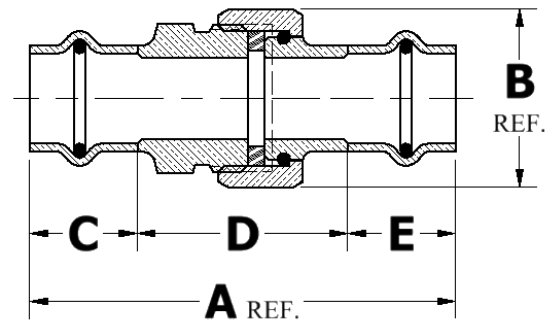
Part Name	Material
Body	UNS C27451 Brass
O-Ring	EPDM
Lubrication	Silicone, ANSI/NSF-61 Listed

DIMENSIONS

Item No.	Description	Dimension (in.)								(lb.)
		A	B	C*	D**	E*	Height	Width	Depth	
10075860	8733 ½ CxC	2.99	1.26	0.76	1.48	0.76	1.26	2.99	1.26	0.31
10075862	8733 ¾ CxC	3.69	1.52	0.92	1.86	0.92	1.52	3.69	1.52	0.50
10075864	8733 1 CxC	3.83	1.94	0.92	2.00	0.92	1.94	3.83	1.94	0.77
10075866	8733 1¼ CxC	3.83	2.19	1.04	1.74	1.04	2.19	3.83	2.19	0.94
10075868	8733 1½ CxC	3.95	2.45	1.43	1.04	1.43	2.45	3.95	2.45	1.23
10075870	8733 2 CxC	4.65	3.12	1.59	1.48	1.59	3.12	4.65	3.12	1.94

* Tolerance +/- .045"

** Tolerance +.09 / -.03



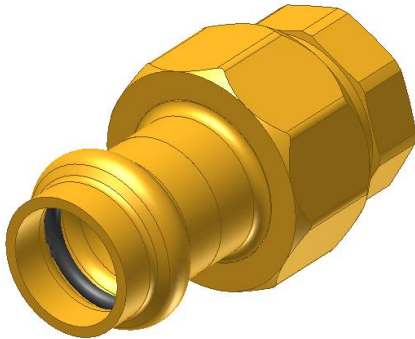
Elkhart Products Corporation
1255 Oak Street, Elkhart, IN 46514
www.elkhartproducts.com | (574) 264-3181

This specification is provided for reference only. Elkhart Products Corporation reserves the right to change any portion of this specification without notice and without incurring obligation to make such changes to Elkhart products previously or subsequently sold.



SUBMITTAL SHEET

8733-3 Small Diameter Series APOLLOXPRESS® Press End Brass Union CxF (N.P.T.) (½" through 2")



Job Name:	
Job Location:	
Engineer:	
Contractor:	
Tag:	
PO Number:	
Representative:	
Wholesale Distributor:	



DESCRIPTION

The APOLLOXPRESS® 8733-3 Small Diameter Press Brass Union features a Lead-Free dezincification resistant brass body and an EPDM O-Ring. Our Small Diameter APOLLOXPRESS® products are manufactured utilizing proven ASTM materials and standards. Proudly Made In The USA.

FEATURES

- Lead-Free Construction
- Leak-Before-Press Technology
- Female N.P.T. per ANSI/ASME B1.20.1
- Compatible with Pro-Press™ Pressing Tools
- Approved for underground installation (per local installation code)
- Use with hard/soft ASTM B88 K, L & M Copper Tube
- Made in USA
- cUPC® Compliant
- ARRA Compliant

APOLLOXPRESS

- Small Diameter Sizes ½" through 2"
- Model 8733-3, Brass Union CxF (N.P.T.)

PERFORMANCE RATING

- Maximum Pressure: 200 psi
- Temperature Range: 0°F to 250°F depending on application. Hot Water up to 250°F, Chilled Water down to 33°F

APPROVALS

- NSF/ANSI NSF 61 ~ Water Quality
- NSF/ANSI NSF-372 ~ Lead Free (LF)
- IAPMO File Listings: 4861, 6174 & N-4951

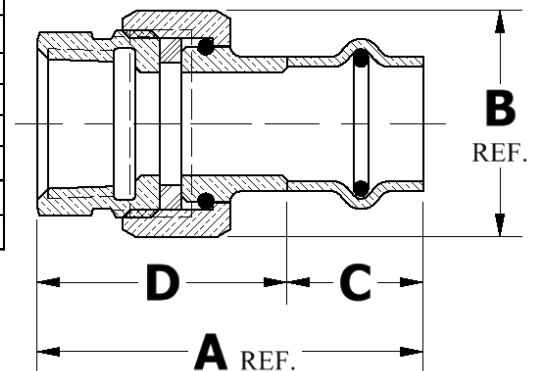
STANDARD MATERIALS

Part Name	Material
Body	UNS C27451 Brass
O-Ring	EPDM
Lubrication	Silicone, ANSI/NSF-61 Listed

DIMENSIONS

Item No.	Description	Dimension (in.)								(lb.)
		A	B	C*	D**	E*	Height	Width	Depth	
10075872	8733-3 ½ CxF	2.14	1.25	0.76	1.39	0.76	1.25	2.14	1.25	0.23
10075874	8733-3 ¾ CxF	2.88	1.52	0.92	1.96	0.92	1.52	2.88	1.52	0.42
10075876	8733-3 1 CxF	2.88	1.94	0.92	1.96	0.92	1.94	2.88	1.94	0.62
10075878	8733-3 1¼ CxF	3.16	2.19	1.04	2.12	1.04	2.19	3.16	2.19	0.86
10075880	8733-3 1½ CxF	3.09	2.45	1.43	1.66	1.43	2.45	3.09	2.45	1.09
10075882	8733-3 2 CxF	3.33	3.12	1.59	1.75	1.59	3.12	3.33	3.12	1.58

* Tolerance +/- .045"
** Tolerance +.09 / -.03



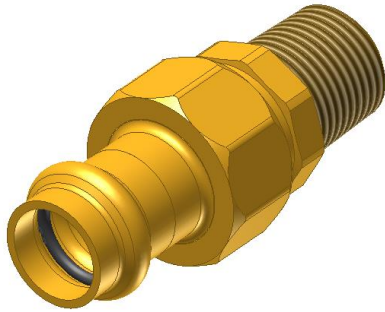
Elkhart Products Corporation
1255 Oak Street, Elkhart, IN 46514
www.elkhartproducts.com | (574) 264-3181

This specification is provided for reference only. Elkhart Products Corporation reserves the right to change any portion of this specification without notice and without incurring obligation to make such changes to Elkhart products previously or subsequently sold.



SUBMITTAL SHEET

8733-4 Small Diameter Series APOLLOXPRESS® Press End Brass Union CxM (N.P.T.) (½" through 2")



Job Name:	
Job Location:	
Engineer:	
Contractor:	
Tag:	
PO Number:	
Representative:	
Wholesale Distributor:	



DESCRIPTION

The APOLLOXPRESS® 8733-4 Small Diameter Press Brass Union features a Lead-Free dezincification resistant brass body and an EPDM O-Ring. Our Small Diameter APOLLOXPRESS® products are manufactured utilizing proven ASTM materials and standards. Proudly Made In The USA.

FEATURES

- Lead-Free Construction
- Leak-Before-Press Technology
- Male N.P.T. per ANSI/ASME B1.20.1
- Compatible with Pro-Press™ Pressing Tools
- Approved for underground installation (per local installation code)
- Use with hard/soft ASTM B88 K, L & M Copper Tube
- Made in USA
- cUPC® Compliant
- ARRA Compliant

PERFORMANCE RATING

- Maximum Pressure: 200 psi
- Temperature Range: 0°F to 250°F depending on application. Hot Water up to 250°F, Chilled Water down to 33°F

APPROVALS

- NSF/ANSI NSF 61 ~ Water Quality
- NSF/ANSI NSF-372 ~ Lead Free (LF)
- IAPMO File Listings: 4861, 6174 & N-4951

APOLLOXPRESS

- Small Diameter Sizes ½" through 2"
- Model 8733-4, Brass Union CxM (N.P.T.)

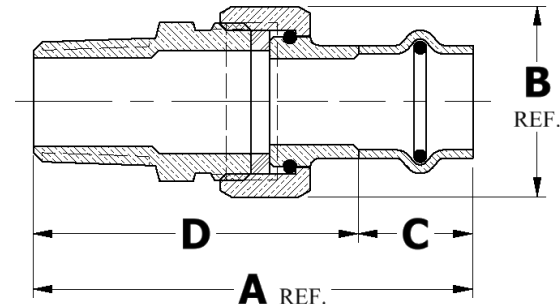
STANDARD MATERIALS

Part Name	Material
Body	UNS C27451 Brass
O-Ring	EPDM
Lubrication	Silicone, ANSI/NSF-61 Listed

DIMENSIONS

Item No.	Description	Dimension (in.)								(lb.)
		A	B	C*	D**	E*	Height	Width	Depth	
10075884	8733-4 ½ CxM	2.90	1.26	0.76	2.15	0.76	1.26	2.90	1.26	0.30
10075886	8733-4 ¾ CxM	3.42	1.52	0.92	2.51	0.92	1.52	3.42	1.52	0.50
10075888	8733-4 1 CxM	3.74	1.94	0.92	2.83	0.92	1.94	3.74	1.94	0.82
10075890	8733-4 1¼ CxM	3.78	2.19	1.04	2.73	1.04	2.19	3.78	2.19	0.99
10075892	8733-4 1½ CxM	3.73	2.45	1.43	2.30	1.43	2.45	3.73	2.45	1.36
10075894	8733-4 2 CxM	4.24	3.12	1.59	2.65	1.59	3.12	4.24	3.12	1.96

* Tolerance +/- .045"
** Tolerance +.09 / -.03



Elkhart Products Corporation
1255 Oak Street, Elkhart, IN 46514
www.elkhartproducts.com | (574) 264-3181

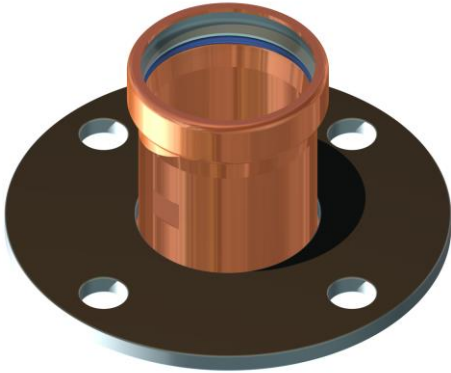
This specification is provided for reference only. Elkhart Products Corporation reserves the right to change any portion of this specification without notice and without incurring obligation to make such changes to Elkhart products previously or subsequently sold.



SUBMITTAL SHEET

8741 Large Diameter Series

APOLLOXPRESS® Press End Copper Companion Flange
125lb C (2 1/2" through 4")



Job Name:	
Job Location:	
Engineer:	
Contractor:	
Tag:	
PO Number:	
Representative:	
Wholesale Distributor:	



DESCRIPTION

The APOLLOXPRESS® 8741 Large Diameter Press 125lb Companion Flange features a Lead-Free dezincification resistant copper body, a patented stainless-steel solid cross-section Grab Ring, a Nylon Separation Ring and an EPDM O-Ring. The black powder coating provides separation of dissimilar metals preventing electrolysis. Our Large Diameter APOLLOXPRESS® products are manufactured utilizing proven ASTM materials and standards. Proudly Made In The USA.

FEATURES

- Black powder-coated steel flange base
- Lead-Free Construction
- Leak-Before-Press Technology
- Visual element, Break Away Band (Pat. Pending)
- Compatible with XL-C™ Pressing Tools
- Approved for underground installation (per local installation code)
- Use with hard/soft ASTM B88 K, L & M Copper Tube
- Made in USA
- cUPC® Compliant
- ARRA Compliant

PERFORMANCE RATING

- Maximum Pressure: 200 psi
- Temperature Range: 0°F to 250°F depending on application. Hot Water up to 250°F, Chilled Water down to 33°F

APPROVALS

- NSF/ANSI NSF 61 – Water Quality
- NSF/ANSI NSF-372 – Lead Free (LF)

APOLLOXPRESS

- Large Diameter Sizes 2 1/2", 3" & 4"
- Model 8741, 125lb Companion Flange

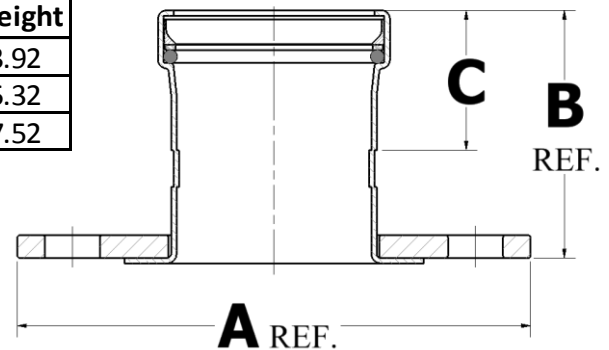
STANDARD MATERIALS

Part Name	Material
Body	UNS C12200 Copper
Grab Ring	304 / 306 Stainless Steel
Spacer Ring	Nylon 66
Flange Base	Black Powder-Coated Steel
O-Ring	EPDM
Lubrication	Silicone, ANSI/NSF-61 Listed

DIMENSIONS

Item No.	Description	Dimension (in.)						(lb.)
		A	B	C*	Height	Width	Depth	Weight
10061761	8741 2 1/2"	7.00	3.62	1.90	3.62	7.00	7.00	3.92
10061767	8741 3"	7.50	3.61	2.10	3.61	7.50	7.50	5.32
10061736	8741 4"	9.00	3.82	2.50	3.82	9.00	9.00	7.52

* Tolerance +/- .02"



Elkhart Products Corporation
1255 Oak Street, Elkhart, IN 46514
www.elkhartproducts.com | (574) 264-3181

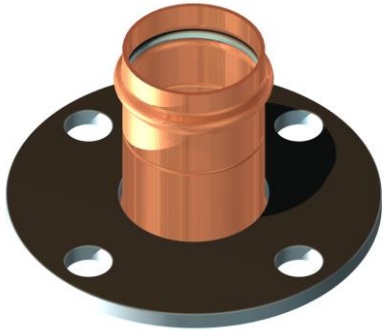
This specification is provided for reference only. Elkhart Products Corporation reserves the right to change any portion of this specification without notice and without incurring obligation to make such changes to Elkhart products previously or subsequently sold.



SUBMITTAL SHEET

8741 Small Diameter Series

APOLLOXPRESS® Press End Copper Companion Flange
125lb C (2")



DESCRIPTION

The APOLLOXPRESS® 8741 Small Diameter Press 125lb Companion Flange features a Lead-Free dezincification resistant copper body and an EPDM O-Ring. The black powder coating provides separation of dissimilar metals preventing electrolysis. Our Large Diameter APOLLOXPRESS® products are manufactured utilizing proven ASTM materials and standards. Proudly Made In The USA.



Job Name:	
Job Location:	
Engineer:	
Contractor:	
Tag:	
PO Number:	
Representative:	
Wholesale Distributor:	

FEATURES

- Black powder-coated steel flange base
- Lead-Free Construction
- Leak-Before-Press Technology
- Compatible with Pro-Press™ Pressing Tools
- Approved for underground installation (per local installation code)
- Use with hard/soft ASTM B88 K, L & M Copper Tube
- Made in USA
- cUPC® Compliant
- ARRA Compliant

PERFORMANCE RATING

- Maximum Pressure: 200 psi
- Temperature Range: 0°F to 250°F depending on application. Hot Water up to 250°F, Chilled Water down to 33°F

APPROVALS

- NSF/ANSI NSF 61 – Water Quality
- NSF/ANSI NSF-372 – Lead Free (LF)
- IAPMO File Listings: 4861, 6174 & N-4951

APOLLOXPRESS

- Small Diameter Size 2"
- Model 8741, 125lb Companion Flange

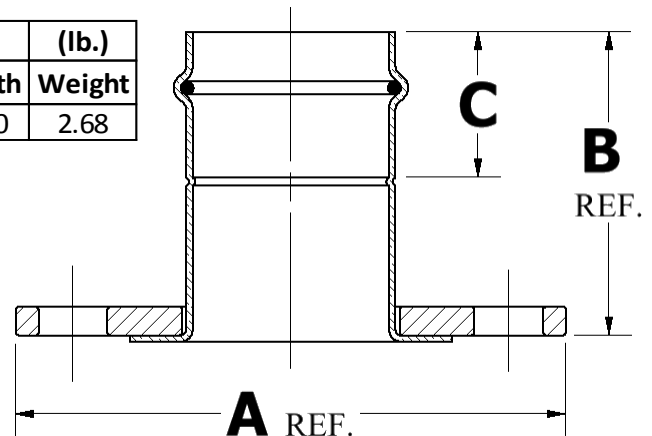
STANDARD MATERIALS

Part Name	Material
Body	UNS C12200 Copper
Flange Base	Black Powder-Coated Steel
O-Ring	EPDM
Lubrication	Silicone, ANSI/NSF-61 Listed

DIMENSIONS

Item No.	Description	Dimension (in.)						(lb.)
		A	B	C*	Height	Width	Depth	
10075702	8741 2	6.00	3.67	1.59	3.67	6.00	6.00	2.68

* Tolerance +/- .045"



Elkhart Products Corporation
1255 Oak Street, Elkhart, IN 46514
www.elkhartproducts.com (574) 264-3181

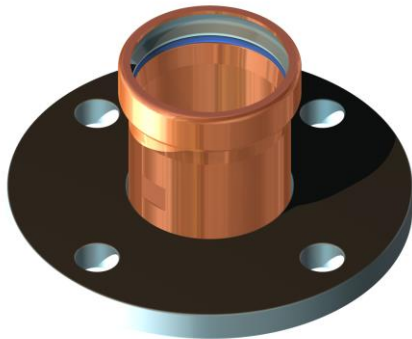
This specification is provided for reference only. Elkhart Products Corporation reserves the right to change any portion of this specification without notice and without incurring obligation to make such changes to Elkhart products previously or subsequently sold.



SUBMITTAL SHEET

8771 Large Diameter Series

APOLLOXPRESS® Press End Copper Companion Flange
150lb C (2 1/2" through 4")



Job Name:	
Job Location:	
Engineer:	
Contractor:	
Tag:	
PO Number:	
Representative:	
Wholesale Distributor:	



DESCRIPTION

The APOLLOXPRESS® 8771 Large Diameter Press 150lb Companion Flange features a Lead-Free dezincification resistant copper body, a patented stainless-steel solid cross-section Grab Ring, a Nylon Separation Ring and an EPDM O-Ring. The black powder coating provides separation of dissimilar metals preventing electrolysis. Our Large Diameter APOLLOXPRESS® products are manufactured utilizing proven ASTM materials and standards. Proudly Made In The USA.

FEATURES

- Black powder-coated steel flange base
- Lead-Free Construction
- Leak-Before-Press Technology
- Visual element, Break Away Band (Pat. Pending)
- Compatible with XL-C™ Pressing Tools
- Approved for underground installation (per local installation code)
- Use with hard/soft ASTM B88 K, L & M Copper Tube
- Made in USA
- cUPC® Compliant
- ARRA Compliant

PERFORMANCE RATING

- Maximum Pressure: 200 psi
- Temperature Range: 0°F to 250°F depending on application. Hot Water up to 250°F, Chilled Water down to 33°F

APPROVALS

- NSF/ANSI NSF 61 – Water Quality
- NSF/ANSI NSF-372 – Lead Free (LF)

APOLLOXPRESS

- Large Diameter Sizes 2 1/2", 3" & 4"
- Model 8771, 150lb Companion Flange

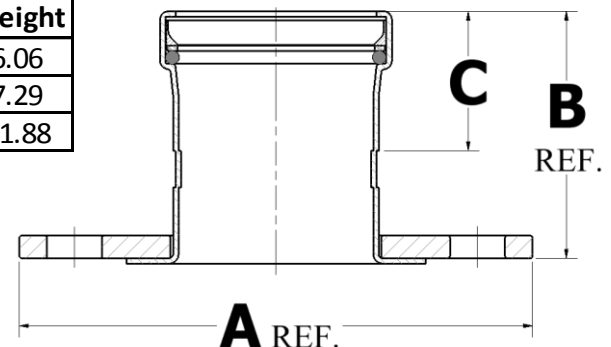
STANDARD MATERIALS

Part Name	Material
Body	UNS C12200 Copper
Grab Ring	304 / 306 Stainless Steel
Spacer Ring	Nylon 66
Flange Base	Black Powder-Coated Steel
O-Ring	EPDM
Lubrication	Silicone, ANSI/NSF-61 Listed

DIMENSIONS

Item No.	Description	Dimension (in.)						(lb.)
		A	B	C*	Height	Width	Depth	Weight
10061763	8771 2 1/2	7.00	3.62	1.90	3.62	7.00	7.00	6.06
10061769	8771 3	7.50	3.61	2.10	3.61	7.50	7.50	7.29
10061738	8771 4	9.00	3.82	2.50	3.82	9.00	9.00	11.88

* Tolerance +/- .02"



Elkhart Products Corporation

1255 Oak Street, Elkhart, IN 46514
www.elkhartproducts.com | (574) 264-3181

This specification is provided for reference only. Elkhart Products Corporation reserves the right to change any portion of this specification without notice and without incurring obligation to make such changes to Elkhart products previously or subsequently sold.

