

# APOLLOXPRESS<sup>®</sup>

## Valve Submittals

Made in  
**USA**



Valves available in both **Standard** and **Lead Free** models.



Your **Single Source Solution** for Press Technology

*Always check the individual product on our website for the most current version of submittal.*



SALES and CUSTOMER SERVICE  
Phone: (704) 841-6000 | Fax: (704) 841-6020 | [www.apollovalves.com](http://www.apollovalves.com)

# 'Apollo' Valves

## SUBMITTAL SHEET

### 77V Series

APOLLOXPRESS® Press End Brass Ball Valve  
(1/2" through 2")

**APOLLOXPRESS®**



<b>Job Name:</b>	
<b>Job Location:</b>	
<b>Engineer:</b>	
<b>Contractor:</b>	
<b>Tag:</b>	
<b>PO Number:</b>	
<b>Representative:</b>	
<b>Wholesale Distributor:</b>	



### DESCRIPTION

The APOLLOXPRESS® 77V Series two-piece press ball valve is ideal for installation in heating, cooling and non-potable plumbing. Features Leak Before Press® technology and 250 psig maximum working pressure. Proudly Made in the USA.

### FEATURES

- 2 piece, heavy pattern forged design
- Full-Port Flow
- Superior RPTFE Seats and Packing
- Adjustable Stem Packing
- Ridgid® XL Press Tool Compatible (1/2" - 2")
- Leak Before Press® Technology
- Blow-Out Proof Stem
- Corrosion Resistant Materials
- Silicone Free Assembly
- 100% Factory Tested
- **Made in USA**, ARRA Compliant

### PERFORMANCE RATING†

- Maximum Operating Pressure 250 psig
- Temperature Range: 0°F - 250°F

†APOLLOXPRESS® connectors are designed for direct mechanical connection to ASTM B88-Type K, L, and M copper tubing in the hard drawn condition. Press connectors are not suitable for steam or flammable gas service.

### APPROVALS

- MSS SP-110 Ball Valves
- Directive 2011/65/CE (RoHS) Compliant
- IAPMO IGC-157 Ball Valves (1/2"-2")

### APPROVED APPLICATIONS

- Water, chilled and hot: 33° - 250°F
- Hydronic Heating (90% glycol max)
- Low Pressure Steam, 15 psi max
- Not suitable for flammable gas service
- Not compatible with soft annealed copper tubing.

**Not intended for potable water**

### OPTIONS

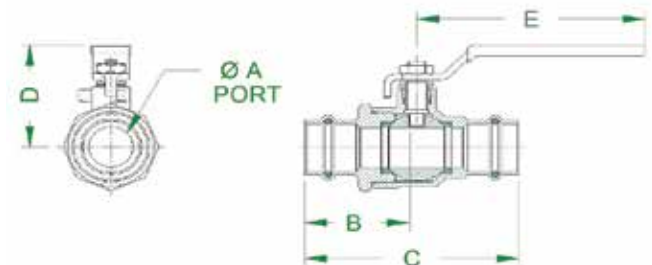
- (-01) Standard Lever Handle
- (-04) 2 1/4" Stem Extension (1/2" - 2-1/2")
- (-07) Tee Handle
- (-11) Therma-Seal™ Insulating Tee Handle
- (-27) Locking Handle SS (1/2" - 2-1/2")
- 77V140 Series – SS Ball & Stem
- 77V Large Diameter 2-1/2" - 4"
- 77VLF Series – Lead Free, 0.25% Pb max.

### STANDARD MATERIALS LIST

Part Name	Material
Body	Forged Brass, C37700
Seat	RPTFE
Ball	Brass, ASTM B16, C36000 or B283, C37700 Chrome Plated
Stem Packing	RPTFE
Nut	Corrosion Resistant Plated Steel
Stem	Forged Brass, C37700
Retainer	Forged Brass, C37700
Handle	Plated Steel / Insulated Polyvinyl
Gland	Brass, ASTM B16, C36000
O-Ring Seals	EPDM
Crimp Ring	316 SS
Spacer Ring	Nylon

### DIMENSIONS

Model Number	Size (in.)	Dimensions (in.)					Wt. (lbs.)
		A	B	C	D	E	
77V-103-01	1/2"	0.50	1.57	2.89	1.66	2.85	0.4
77V-104-01	3/4"	0.75	1.90	3.63	1.91	3.86	0.9
77V-105-01	1"	1.00	2.20	3.88	2.11	3.86	1.2
77V-106-01	1-1/4"	1.25	2.23	4.22	2.44	4.75	2.3
77V-107-01	1-1/2"	1.50	2.84	5.45	2.91	5.42	3.4
77V-108-01	2"	2.00	3.40	6.57	3.69	7.77	6.0



Apollo Valves, Manufactured by **Conbraco Industries, Inc.**  
701 Matthews Mint-Hill Road, Matthews, NC 28105 USA  
[www.apollovalves.com](http://www.apollovalves.com) | (704) 841-6000

This specification is provided for reference only. Conbraco Industries Inc. reserves the right to change any portion of this specification without notice and without incurring obligation to make such changes to Conbraco products previously or subsequently sold. Please visit our website @ [www.apollovalves.com](http://www.apollovalves.com) for the most current information.



# 'Apollo' Valves

## SUBMITTAL SHEET

### LEAD FREE

### 77VLF Series

APOLLOXPRESS® Press End Brass Ball Valve  
(1/2" through 2")



## APOLLOXPRESS®



<b>Job Name:</b>	
<b>Job Location:</b>	
<b>Engineer:</b>	
<b>Contractor:</b>	
<b>Tag:</b>	
<b>PO Number:</b>	
<b>Representative:</b>	
<b>Wholesale Distributor:</b>	



### DESCRIPTION

The APOLLOXPRESS® 77VLF Series Lead Free\* two-piece press ball valve is ideal for installation in most plumbing and heating systems, including potable water. Now with Leak Before Press® feature and 250 psig maximum working pressure. Proudly Made in the USA.

### FEATURES

- Lead Free\*, ANSI 3rd Party Certified and Listed
- Full-Port Flow
- Superior RPTFE Seats and Packing
- Adjustable Stem Packing
- Ridgid® XL Press Tool Compatible
- Leak Before Press® Technology
- Blow-Out Proof Stem
- Corrosion Resistant Materials
- Silicone Free Assembly
- 100% Factory Tested
- Made in USA, ARRA Compliant

### PERFORMANCE RATING

- Maximum Operating Pressure 250 psi
- Temperature Range: 0°F - 250°F

### APPROVALS

- MSS SP-110 Ball Valves
- NSF/ANSI 61-G
- NSF/ANSI 372 Lead Free
- IAPMO IGC-157 Ball Valves
- Directive 2011/65/CE (RoHS)

### APPROVED APPLICATIONS

- Water including Potable Water
- Hydronic Heating (90% glycol max)
- Low Pressure Steam, 15 psi max
- Not suitable for flammable gas service
- Designed for direct mechanical connection to ASTM B88-Type K, L, and M copper tubing in the hard drawn condition.
- Not compatible with soft annealed copper tubing.

### OPTIONS

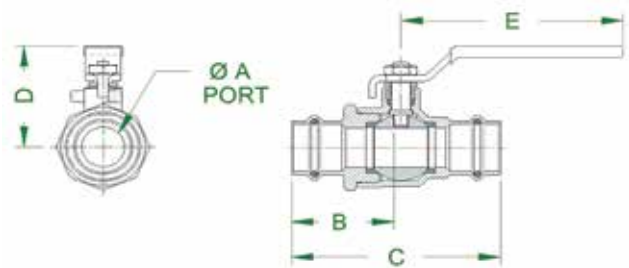
- (-01) Standard Lever Handle
- (-04) 2 1/4" Stem Extension (1/2" - 2-1/2")
- (-07) Tee Handle
- (-11) Therma-Seal™ Insulating Tee Handle
- (-27) Locking Handle SS (1/2" - 2-1/2")
- 77VLF140 Series – SS Ball & Stem

### STANDARD MATERIALS LIST

Part Name	Material
Body	Lead Free Brass, C27451
Seat	RPTFE
Ball	Lead Free Brass, C27451, Chrome Plated
Stem Packing	RPTFE
Nut	Corrosion Resistant Plated Steel
Stem	Lead Free Brass, C27451
Retainer	Lead Free Brass, C27451
Handle	Plated Steel / Insulated Polyvinyl
Gland	Brass, ASTM B16, C36000
O-Ring Seals	EPDM

### DIMENSIONS

Model Number	Size (in.)	Dimensions (in.)					Wt. (lbs.)
		A	B	C	D	E	
77VLF10301	1/2"	0.50	1.57	2.89	1.66	2.85	0.4
77VLF10401	3/4"	0.75	1.90	3.63	1.91	3.86	0.9
77VLF10501	1"	1.00	2.20	3.88	2.11	3.86	1.2
77VLF10601	1-1/4"	1.25	2.23	4.22	2.44	4.75	2.3
77VLF10701	1-1/2"	1.50	2.84	5.45	2.91	5.42	3.4
77VLF10801	2"	2.00	3.40	6.57	3.69	7.77	6.0



\* LEAD FREE: The wetted surfaces of this product shall contain no more than 0.25% lead by weighted average. Complies with Federal Public Law 111-380. ANSI 3rd party approved and listed.

This specification is provided for reference only. Conbraco Industries Inc. reserves the right to change any portion of this specification without notice and without incurring obligation to make such changes to Conbraco products previously or subsequently sold. Please visit our website @ [www.apollovalves.com](http://www.apollovalves.com) for the most current information.

Apollo Valves, Manufactured by **Conbraco Industries, Inc.**  
701 Matthews Mint-Hill Road, Matthews, NC 28105 USA  
[www.apollovalves.com](http://www.apollovalves.com) | (704) 841-6000



# 'Apollo' Valves

## SUBMITTAL SHEET

### 77V Series



APOLLOXPRESS® Press End Forged Ball Valve  
(Large Diameter)

**APOLLOXPRESS®**



Job Name:	
Job Location:	
Engineer:	
Contractor:	
Tag:	
PO Number:	
Representative:	
Wholesale Distributor:	



### DESCRIPTION

The APOLLOXPRESS® 77V Series ball valve is ideal for installation in heating, cooling and non-potable plumbing. Features Leak Before Press® technology and 250 psig maximum working pressure. Proudly made in the USA.

### FEATURES

- 2 piece, heavy pattern forged design
- Full-Port Flow
- Adjustable Stem Packing
- Fast, Reliable, Economical Press Installation
- Ridgid® XLC Press Tool Compatible (2-1/2" - 4")
- Leak Before Press® Technology
- Blow-Out Proof Stem
- Corrosion Resistant Materials
- Silicone Free Assembly
- 100% Factory Tested
- 316 SS Ball and Stem Option (77V-140)
- **Made in USA**, ARRA Compliant

### PERFORMANCE RATING†

- Maximum Operating Pressure 250 psi
- Temperature Range: 0°F - 250°F

†APOLLOXPRESS® connectors are designed for direct mechanical connection to ASTM B88-Type K, L, and M copper tubing in the hard drawn condition. Press connectors are not suitable for steam or flammable gas service.

### APPROVALS

- MSS SP-110 Ball Valves
- Directive 2011/65/CE (RoHS)
- IAPMO IGC-157 Ball Valves (2-1/2"-4")

### APPROVED APPLICATIONS

- Water, chilled and hot: 33° - 250°F
- Hydronic Heating (90% glycol max)
- Low Pressure Steam, 15 psi max
- Not suitable for flammable gas service
- Not compatible with soft annealed copper tubing.

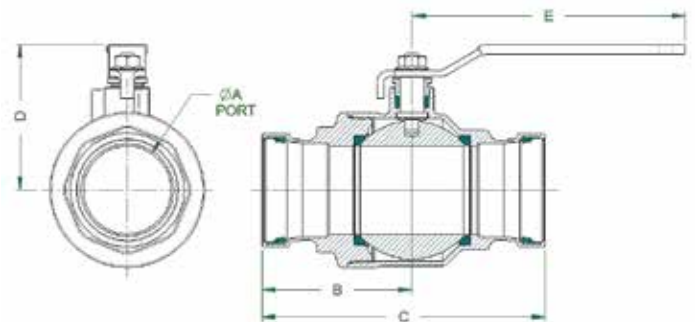
**Not intended for potable water**

### STANDARD MATERIALS LIST

Part Name	Material
Body	Forged Brass, C37700
Seat	RPTFE
Ball	Brass, B16, Chrome Plated
Stem Packing	RPTFE
Nut	Corrosion Resistant Plated Steel
Stem	Brass, B16
Retainer	Forged Brass, C37700
Handle	Plated Steel / Insulated Polyvinyl
Gland	Brass, ASTM B16, C36000
O-Ring Seals	EPDM
Crimp Ring	316 SS
Spacer Ring	Nylon

### DIMENSIONS

Model Number	Size (in.)	Dimensions (in.)					Wt. (lbs.)
		A	B	C	D	E	
77V-109-01	2-1/2"	2.50	4.26	8.04	4.13	7.77	12.0
77V-100-01	3"	3.00	5.10	9.45	5.03	9.92	19.5
77V-10A-01	4"	4.00	5.20	10.35	5.70	14.78	26.0



Apollo Valves, Manufactured by **Conbraco Industries, Inc.**  
701 Matthews Mint-Hill Road, Matthews, NC 28105 USA  
[www.apollovalves.com](http://www.apollovalves.com) | (704) 841-6000

This specification is provided for reference only. Conbraco Industries Inc. reserves the right to change any portion of this specification without notice and without incurring obligation to make such changes to Conbraco products previously or subsequently sold. Please visit our website @ [www.apollovalves.com](http://www.apollovalves.com) for the most current information.



# 'Apollo' Valves

## SUBMITTAL SHEET

### LEAD FREE

### 77VLF Series



APOLLOXPRESS® Press End Forged Ball Valve  
(Large Diameter)



## APOLLOXPRESS®



<b>Job Name:</b>	
<b>Job Location:</b>	
<b>Engineer:</b>	
<b>Contractor:</b>	
<b>Tag:</b>	
<b>PO Number:</b>	
<b>Representative:</b>	
<b>Wholesale Distributor:</b>	



### DESCRIPTION

The APOLLOXPRESS® 77VLF Series Lead Free\* Ball valve is ideal for installation in most plumbing and heating systems including potable water. Features Leak Before Press® technology and 250 psig maximum working pressure. Proudly made in the USA.

### FEATURES

- Lead Free\*, ANSI 3rd Party Certified and Listed
- 2 piece, heavy pattern forged design
- Full-Port Flow
- Adjustable Stem Packing
- Fast, Reliable, Economical Press Installation
- Ridgid® XLC Press Tool Compatible
- Leak Before Press® Technology
- Blow-Out Proof Stem
- Dezincification Resistant Materials
- Silicone Free Assembly
- 100% Factory Tested
- 316 SS Ball and Stem Option (77VLF-140) for sizes 2-1/2" & 3", standard for 4"
- Made in USA, ARRA Compliant

### APPROVALS

- MSS SP-110 Ball Valves
- NSF/ANSI 61-G
- NSF/ANSI 372 Lead Free
- Directive 2011/65/CE (RoHS)
- IAPMO IGC-157 Ball Valves (2-1/2"-4")

### APPROVED APPLICATIONS

- Water - chilled, hot and potable: 33° - 250°F
- Hydronic Heating (90% glycol max)
- Low Pressure Steam, 15 psi max
- Not suitable for flammable gas service
- Designed for direct mechanical connection to ASTM B88-Type K, L, and M copper tubing in the hard drawn condition.
- Not compatible with soft annealed copper tubing.

### STANDARD MATERIALS LIST

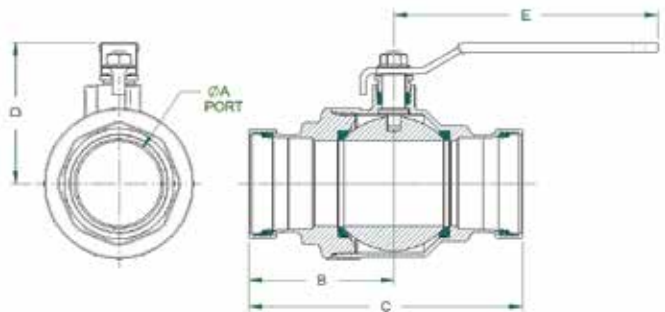
Part Name	Material
Body	Lead Free Brass, C27451
Seat	RPTFE
Ball	Lead Free Brass, C27451, Chr. Plated (2-1/2" & 3") 316 SS (4")
Stem Packing	RPTFE
Nut	Corrosion Resistant Plated Steel
Stem	Lead Free Brass, C27451 (2-1/2" & 3") 316 SS (4")
Retainer	Lead Free Brass, C27451
Handle	Plated Steel / Insulated Polyvinyl
Gland	Brass, ASTM B16, C36000
O-Ring Seals	EPDM
Crimp Ring	316 SS
Spacer Ring	Nylon

### PERFORMANCE RATING

- Maximum Operating Pressure 250 psi
- Temperature Range: 0°F - 250°F

### DIMENSIONS

Model Number	Size (in.)	Dimensions (in.)					Wt. (lbs.)
		A	B	C	D	E	
77VLF-109-01	2-1/2"	2.50	4.26	8.04	4.13	7.77	12.0
77VLF-100-01	3"	3.00	5.10	9.45	5.03	9.92	19.5
77VLF-14A-01	4"	4.00	5.20	10.35	5.70	14.78	26.0



\* LEAD FREE: The wetted surfaces of this product shall contain no more than 0.25% lead by weighted average. Complies with Federal Public Law 111-380. ANSI 3rd party approved and listed.

This specification is provided for reference only. Conbraco Industries Inc. reserves the right to change any portion of this specification without notice and without incurring obligation to make such changes to Conbraco products previously or subsequently sold. Please visit our website @ [www.apollovalves.com](http://www.apollovalves.com) for the most current information.

Apollo Valves, Manufactured by **Conbraco Industries, Inc.**  
701 Matthews Mint-Hill Road, Matthews, NC 28105 USA  
[www.apollovalves.com](http://www.apollovalves.com) | (704) 841-6000



# 'Apollo' Valves

## SUBMITTAL SHEET

### 77V-140 Series

APOLLOXPRESS® Ball Valve w/SS Ball & Stem

**APOLLOXPRESS®**



Job Name:	
Job Location:	
Engineer:	
Contractor:	
Tag:	
PO Number:	
Representative:	
Wholesale Distributor:	



### DESCRIPTION

The APOLLOXPRESS® 77V140 Series two-piece press ball valve with stainless steel ball and stem is ideal for installation in heating, cooling and non-potable plumbing. Features Leak Before Press® technology and 250 psig maximum working pressure. Proudly Made in the USA.

### FEATURES

- Full-Port Flow
- Superior RPTFE Seats and Packing
- Adjustable Stem Packing
- Ridgid® XL Press Tool Compatible
- Leak Before Press® Technology
- Blow-Out Proof Stem
- Corrosion Resistant Materials
- Stainless Steel Ball & Stem
- Silicone Free Assembly
- 100% Factory Tested
- **Made in USA**, ARRA Compliant

### PERFORMANCE RATING†

- Maximum Operating Pressure: 250 psi
- Temperature Range: 0°F - 250°F

†APOLLOXPRESS® connectors are designed for direct mechanical connection to ASTM B88-Type K, L, and M copper tubing in the hard drawn condition. Press connectors are not suitable for steam or flammable gas service.

### APPROVALS

- MSS SP-110 Ball Valves
- IAPMO IGC-157 Ball Valves
- Directive 2011/65/CE (RoHS)

### APPROVED APPLICATIONS

- Water, chilled and hot: 33° - 250°F
- Hydronic Heating (90% glycol max)
- Low Pressure Steam, 15 psi max
- Not suitable for flammable gas service
- Not compatible with soft annealed copper tubing.

**Not intended for potable water**

### OPTIONS

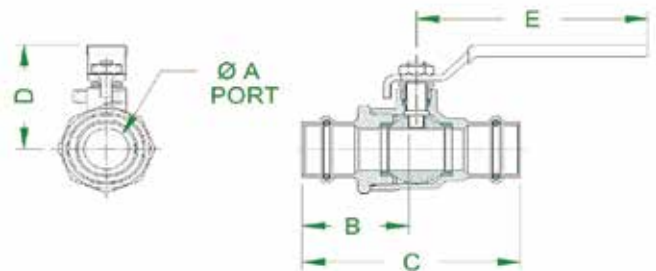
- (-01) Standard Lever Handle
- (-04) 2 ¼" Stem Extension (1/2" - 2-1/2")
- (-07) Tee Handle
- (-11) Therma-Seal™ Insulating Tee Handle
- (-27) Locking Handle SS (1/2" - 2-1/2")
- 77VLF – Lead Free, 0.25% Pb max.

### STANDARD MATERIALS LIST

Part Name	Material
Body	Lead Free Brass, C27451
Seat	RPTFE
Ball	Stainless Steel, ASTM A276 Type 316
Stem Packing	RPTFE
Nut	Corrosion Resistant Plated Steel
Stem	Stainless Steel, ASTM A276 Type 316
Retainer	Lead Free Brass, C27451
Handle	Plated Steel / Insulated Polyvinyl
Gland	Brass, ASTM B16, C36000
O-Ring Seals	EPDM

### DIMENSIONS

Model Number	Size (in.)	Dimensions (in.)					Wt. (lbs.)
		A	B	C	D	E	
77V-143-01	1/2"	0.50	1.57	2.89	1.66	2.85	0.4
77V-144-01	3/4"	0.75	1.90	3.63	1.91	3.86	0.9
77V-145-01	1"	1.00	2.39	4.07	2.11	3.86	1.2
77V-146-01	1-1/4"	1.25	2.40	4.39	2.44	4.75	2.3
77V-147-01	1-1/2"	1.50	2.84	5.45	2.91	5.42	3.4
77V-148-01	2"	2.00	3.40	6.57	3.69	7.77	6.0



Apollo Valves, Manufactured by **Conbraco Industries, Inc.**  
 701 Matthews Mint-Hill Road, Matthews, NC 28105 USA  
[www.apollovalves.com](http://www.apollovalves.com) | (704) 841-6000

This specification is provided for reference only. Conbraco Industries Inc. reserves the right to change any portion of this specification without notice and without incurring obligation to make such changes to Conbraco products previously or subsequently sold. Please visit our website at [www.apollovalves.com](http://www.apollovalves.com) for the most current information.



# 'Apollo' Valves

## SUBMITTAL SHEET

### LEAD FREE

## 77VLF-140 Series



APOLLOXPRESS® Ball Valve w/SS Ball & Stem



## APOLLOXPRESS®



<b>Job Name:</b>	
<b>Job Location:</b>	
<b>Engineer:</b>	
<b>Contractor:</b>	
<b>Tag:</b>	
<b>PO Number:</b>	
<b>Representative:</b>	
<b>Wholesale Distributor:</b>	



### DESCRIPTION

The APOLLOXPRESS™ 77VLF140 Series Lead Free\* two-piece press ball valve is ideal for installation in most plumbing and heating systems, including potable water. Now with Leak Before Press™ feature and 250 psig maximum working pressure. Proudly Made in the USA.

### FEATURES

- Lead Free\*, ANSI 3rd Party Certified and Listed
- Full-Port Flow
- Superior RPTFE Seats and Packing
- Adjustable Stem Packing
- Ridgid® XL Press Tool Compatible
- Leak Before Press™ Technology
- Blow-Out Proof Stem
- Corrosion Resistant Materials
- Stainless Steel Ball & Stem
- Silicone Free Assembly
- 100% Factory Tested
- Made in USA, ARRA Compliant

### APPROVALS

- MSS SP-110 Ball Valves
- NSF/ANSI 61-G
- NSF/ANSI 372 Lead Free
- IAPMO IGC-157 Ball Valves
- Directive 2011/65/CE (RoHS)

### PERFORMANCE RATING

- Maximum Operating Pressure 250 psi
- Temperature Range: 0°F - 250°F

### APPROVED APPLICATIONS

- Water including Potable Water
- Hydronic Heating (90% glycol max)
- Low Pressure Steam, 15 psi max
- Not suitable for flammable gas service
- Designed for direct mechanical connection to ASTM B88-Type K, L, and M copper tubing in the hard drawn condition.
- Not compatible with soft annealed copper tubing.

### OPTIONS

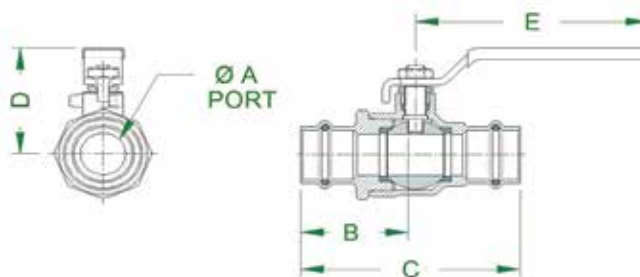
- (-01) Standard Lever Handle
- (-04) 2 1/4" Stem Extension
- (-07) Tee Handle
- (-11) Therma-Seal™ Insulating Tee Handle
- (-27) Locking Handle SS

### STANDARD MATERIALS LIST

Part Name	Material
Body	Lead Free Brass, C27451
Seat	RPTFE
Ball	Stainless Steel, ASTM A276 Type 316
Stem Packing	RPTFE
Nut	Corrosion Resistant Plated Steel
Stem	Stainless Steel, ASTM A276 Type 316
Retainer	Lead Free Brass, C27451
Handle	Plated Steel / Insulated Polyvinyl
Gland	Brass, ASTM B16, C36000
O-Ring Seals	EPDM

### DIMENSIONS

Part Number	Size (in.)	Dimensions (in.)					Wt. (lbs.)
		A	B	C	D	E	
77VLF-143-01	1/2"	0.50	1.57	2.89	1.66	2.85	0.4
77VLF-144-01	3/4"	0.75	1.90	3.63	1.91	3.86	0.9
77VLF-145-01	1"	1.00	2.20	3.88	2.11	3.86	1.2
77VLF-146-01	1-1/4"	1.25	2.23	4.22	2.44	4.75	2.3
77VLF-147-01	1-1/2"	1.50	2.84	5.45	2.91	5.42	3.4
77VLF-148-01	2"	2.00	3.40	6.57	3.69	7.77	6.0



\* LEAD FREE: The wetted surfaces of this product shall contain no more than 0.25% lead by weighted average. Complies with Federal Public Law 111-380. ANSI 3rd party approved and listed.

Apollo Valves, Manufactured by **Conbraco Industries, Inc.**  
701 Matthews Mint-Hill Road, Matthews, NC 28105 USA  
[www.apollovalves.com](http://www.apollovalves.com) | (704) 841-6000

This specification is provided for reference only. Conbraco Industries Inc. reserves the right to change any portion of this specification without notice and without incurring obligation to make such changes to Conbraco products previously or subsequently sold. Please visit our website @ [www.apollovalves.com](http://www.apollovalves.com) for the most current information.



# 'Apollo' Valves

## SUBMITTAL SHEET

### 77W Series

APOLLOXPRESS® Press End Bronze Ball Valve

**APOLLOXPRESS®**



<b>Job Name:</b>	
<b>Job Location:</b>	
<b>Engineer:</b>	
<b>Contractor:</b>	
<b>Tag:</b>	
<b>PO Number:</b>	
<b>Representative:</b>	
<b>Wholesale Distributor:</b>	



### DESCRIPTION

The APOLLOXPRESS® 77W Series Ball valve is ideal for installation in heating, cooling and non-potable plumbing. Now with Leak Before Press® feature and 250 psig maximum working pressure.

### FEATURES

- Heavy pattern cast bronze body
- Full-Port Flow
- Adjustable Stem Packing
- Fast, Reliable, Economical Press Installation
- Ridgid® XL Press Tool Compatible
- Leak Before Press® Technology
- Blow-Out Proof Stem
- Corrosion Resistant Materials
- 100% Factory Tested
- Silicone Free
- **Made in USA**, ARRA Compliant

### PERFORMANCE RATING<sup>†</sup>

- Maximum Operating Pressure 250 psi
- Temperature Range: 0°F - 250°F

<sup>†</sup>APOLLOXPRESS® connectors are designed for direct mechanical connection to ASTM B88-Type K, L, and M copper tubing in the hard drawn condition. Press connectors are not suitable for steam or flammable gas service.

### APPROVED APPLICATIONS

- Water, chilled and hot: 33°F - 250°F
- Hydronic Heating (50% glycol max)
- Low Pressure Steam, 15 psi max
- Not suitable for flammable gas service
- Not compatible with soft annealed copper tubing.

**Not intended for potable water**

### OPTIONS

- (-04) 2 ¼" Stem Extension
- (-07) Tee-Handle
- (-10) Stainless Steel Handle and Nut
- (-11) Therna-Seal™ Insulating Tee Handle
- (-92) Standard Lever with Balancing Stop
- (-94) 2 ¼" Stem Extension and Balancing Stop
- (-HC) Press x ¾" Hose w/ Cap & Chain (1/2" & ¾")
- (77W-140 Series) S.S. Ball and Stem
- (77WLF Series) Lead Free (0.25% Lead Max)

### STANDARD MATERIALS LIST

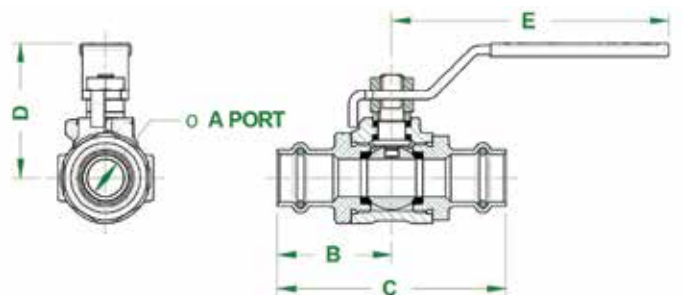
Part Name	Material
Body	Cast Bronze C89836
Seat	Multi-Fill PTFE
Ball	ASTM B16 Brass, plated or B283, C37700
Stem Packing	Multi-Fill PTFE
Nut	Corrosion Resistant Plated Steel
Stem	Brass, ASTM B16, UNS# C36000
Retainer	Brass, ASTM B16, UNS# C36000
Handle	Plated Steel/Insulated Polyvinyl
Gland	Brass, ASTM B16, UNS# C36000
O-Ring Seals	EPDM

### APPROVALS

- MSS SP-110 Ball Valves
- Directive 2011/65/CE (RoHS)

### DIMENSIONS

Model Number	Size (in.)	Dimensions (in.)					Wt. (lbs.)
		A	B	C	D	E	
77W-103-01	1/2"	0.50	1.54	3.08	1.50	3.74	0.6
77W-104-01	3/4"	0.75	1.78	3.55	2.01	4.78	1.1
77W-105-01	1"	1.00	2.12	4.24	2.20	4.78	1.8
77W-106-01	1-1/4"	1.25	2.61	5.22	3.13	7.04	4.3
77W-107-01	1-1/2"	1.50	2.96	5.92	3.10	7.04	4.6
77W-108-01	2"	2.00	3.74	7.47	3.48	7.04	8.2



Apollo Valves, Manufactured by **Conbraco Industries, Inc.**  
 701 Matthews Mint-Hill Road, Matthews, NC 28105 USA  
[www.apollovalves.com](http://www.apollovalves.com) | (704) 841-6000

This specification is provided for reference only. Conbraco Industries Inc. reserves the right to change any portion of this specification without notice and without incurring obligation to make such changes to Conbraco products previously or subsequently sold. Please visit our website @ [www.apollovalves.com](http://www.apollovalves.com) for the most current information.





# 'Apollo' Valves

## SUBMITTAL SHEET

### LEAD FREE

## 77WLF Series

APOLLOXPRESS® Press End **Bronze Ball Valve**



## APOLLOXPRESS®



<b>Job Name:</b>	
<b>Job Location:</b>	
<b>Engineer:</b>	
<b>Contractor:</b>	
<b>Tag:</b>	
<b>PO Number:</b>	
<b>Representative:</b>	
<b>Wholesale Distributor:</b>	



### DESCRIPTION

The Lead Free\* APOLLOXPRESS® 77WLF ball valve is ideal for installation in potable water systems requiring NSF 61 or Lead Free\* approval. Now with Leak Before Press® feature and 250 psig maximum working pressure.

### FEATURES

- Lead Free\* Brass & Bronze Materials
- Easily Identifiable Blue Lead Free Hang Tag
- Full-Port Flow
- Adjustable Stem Packing
- Fast, Reliable, Economical Press Installation
- Leak Before Press® Technology
- Corrosion Resistant Materials
- 100% Factory Tested
- Ridgid® XL Press Tool Compatible
- **Made in USA, ARRA Compliant**

### PERFORMANCE RATING†

- Maximum Operating Pressure 250 psi
- Temperature Range: 0°F - 250°F

† APOLLOXPRESS® connectors are designed for direct mechanical connection to ASTM B88-Type K, L, and M copper tubing in the hard drawn condition. Press connectors are not suitable for steam or flammable gas service.

### APPROVALS

- MSS SP-110 Ball Valves
- NSF/ANSI 61G
- NSF/ANSI 372 Lead Free\*
- ANSI 3rd Party Approval to AB 1953 0.25% Lead Max.

### OPTIONS

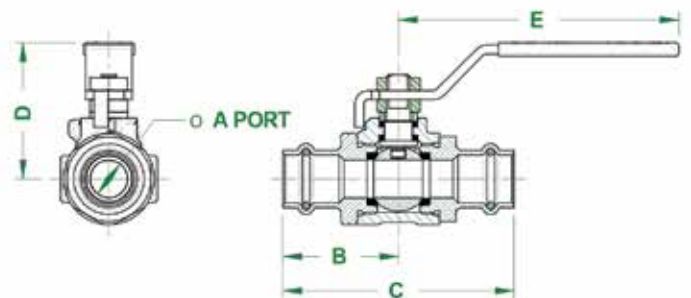
- (-04) 2 ¼" Stem Extension
  - (-07) Tee-Handle
  - (-10) Stainless Steel Handle and Nut
  - (-11) Therma-Seal™ Insulating Tee Handle
  - (-92) Standard Lever with Balancing Stop
  - (-94) 2 ¼" Stem Extension and Balancing Stop
  - (77WLF-140 SERIES) S.S. Ball and Stem
- \*\* Consult factory for availability of LF Model options

### STANDARD MATERIALS LIST

Part Name	Material
Body	ASTM B584 C89836
Seat	Multi-Fill PTFE
Ball	UNS C27451 Brass, Chr. Plated
Stem Packing	Multi-Fill PTFE
Nut	Zinc Plated Steel
Stem	UNS C27451 Brass
Retainer	UNS C27451 Brass
Handle	Plated Steel / Insulated Polyvinyl
Gland	Brass, ASTM B16, C36000
O-Ring	EPDM

### DIMENSIONS

Model Number	Size (in.)	Dimensions (in.)					Wt. (lbs.)
		A	B	C	D	E	
77WLF-103-01	1/2"	0.50	1.54	3.08	1.50	3.74	0.61
77WLF-104-01	3/4"	0.75	1.78	3.55	2.01	4.78	1.09
77WLF-105-01	1"	1.00	2.12	4.24	2.20	4.78	1.77
77WLF-106-01	1-1/4"	1.25	2.61	5.22	3.13	7.04	4.27
77WLF-107-01	1-1/2"	1.50	2.96	5.92	3.10	7.04	4.63
77WLF-108-01	2"	2.00	3.74	7.47	3.48	7.04	8.21



\* LEAD FREE: The wetted surfaces of this product shall contain no more than 0.25% lead by weighted average. Complies with Federal Public Law 111-380. ANSI 3rd party approved and listed.

Apollo Valves, Manufactured by **Conbraco Industries, Inc.**  
701 Matthews Mint-Hill Road, Matthews, NC 28105 USA  
[www.apollovalves.com](http://www.apollovalves.com) | (704) 841-6000

This specification is provided for reference only. Conbraco Industries Inc. reserves the right to change any portion of this specification without notice and without incurring obligation to make such changes to Conbraco products previously or subsequently sold. Please visit our website @ [www.apollovalves.com](http://www.apollovalves.com) for the most current information.



"Apollo" Valves

# SUBMITTAL SHEET

## 77W-HC Series

Ball Valve with Press x Hose Connection

### APOLLOXPRESS®



Job Name:	
Job Location:	
Engineer:	
Contractor:	
Tag:	
PO Number:	
Representative:	
Wholesale Distributor:	



### DESCRIPTION

The APOLLOXPRESS® 77W-HC Press x Hose ball valve is designed for direct mechanical connection to ASTM B88-Type K, L, and M copper tubing in the hard drawn condition for sizes 1/2" - 3/4". Valves feature a 3/4" hose connection with heavy brass cap to protect the threads. The 77W-HC is ideal for most plumbing and heating systems, including potable water. Now with Leak Before Press® feature and 250 psig maximum working pressure.

### FEATURES

- Full-Port
- Ridgid® "XL" Press Tool Compatible
- Adjustable Stem Packing
- Fast, Reliable, Economical Press Installation
- Leak Before Press® Technology
- Dezincification Resistant Bronze Body
- Heavy duty brass cap is full pressure rated
- 100% Factory Tested
- Made in USA, ARRA Compliant

### PERFORMANCE RATING†

- Maximum Operating Pressure: 250 psi
- Maximum Temperature: 250°F

†APOLLOXPRESS® connectors are designed for direct mechanical connection to ASTM B88-Type K, L, and M copper tubing in the hard drawn condition. Press connectors are not suitable for steam or flammable gas service.

### APPROVALS

- MSS SP-110 Ball Valves
- Directive 2011/65/CE (RoHS)

### APPROVED APPLICATIONS

- Water
- Hydronic Heating (50% glycol max)
- Not compatible with soft annealed copper tubing

**Not intended for potable water**

### OPTIONS

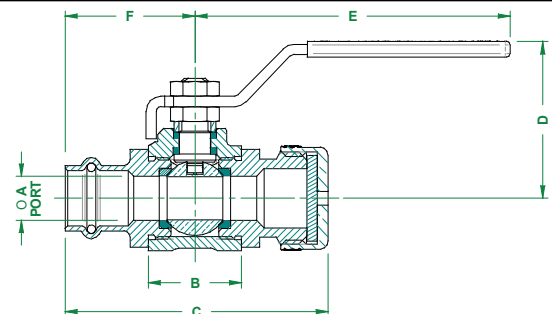
- (-04) 2 1/4" Stem Extension
- (-07) Tee-Handle
- (-10) Stainless Steel Handle and Nut
- (-11) Therma-Seal™ Insulating Tee Handle
- (-92) Balancing Stop
- (-94) 2 1/4" Stem Extension and Balancing Stop
- (77WLF-140-HC SERIES) S.S. Ball and Stem
- (77WLF-HC SERIES) Lead Free 0.25% Lead Max
- (77W-HC-PR-LF) Lead Free APOLLOXPRESS®

### STANDARD MATERIALS LIST

Part Name	Material
Body	ASTM B584 C89836 Bronze
Seat	Multi-Fill PTFE
Ball	ASTMB16Brass,plated
Stem Packing	Multi-Fill PTFE
Nut	Corrosion Resistant Plated Steel
Stem	Brass, ASTM B16, UNS# C36000
Retainer	Brass, ASTM B16, UNS# C36000
Cap	Brass, ASTM B16, UNS# C36000
Handle	Plated Steel/Insulated Polyvinyl
Gland	Brass, ASTM B16, UNS# C36000
O-Ring	EPDM

### DIMENSIONS

Part Number	Size (in.)	Dimensions (in.)						Wt. (lbs.)
		A	B	C	D	E	F	
77W-103-HC	1/2"	0.50	1.54	3.12	1.80	3.74	1.54	0.61
77W-104-HC	3/4"	0.75	1.72	3.45	2.01	4.78	1.78	1.16



Apollo Valves, Manufactured by **Conbraco Industries, Inc.**  
 701 Matthews Mint-Hill Road, Matthews, NC 28105 USA  
[www.apollovalves.com](http://www.apollovalves.com) | (704) 841-6000

This specification is provided for reference only. Conbraco Industries Inc. reserves the right to change any portion of this specification without notice and without incurring obligation to make such changes to Conbraco products previously or subsequently sold. Please visit our website @ [www.apollovalves.com](http://www.apollovalves.com) for the most current information.



# 'Apollo' Valves

## SUBMITTAL SHEET

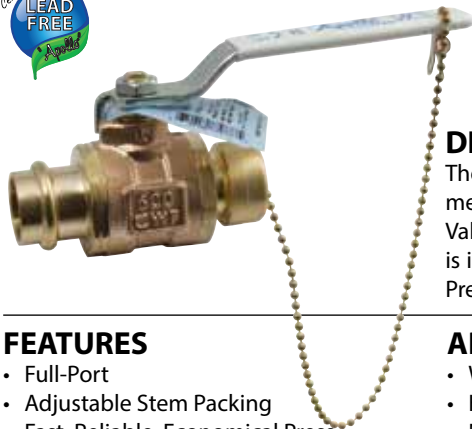
### LEAD FREE

## 77WLF-HC Series

Ball Valve with Press x Hose Connection



### APOLLOXPRESS®



<b>Job Name:</b>	
<b>Job Location:</b>	
<b>Engineer:</b>	
<b>Contractor:</b>	
<b>Tag:</b>	
<b>PO Number:</b>	
<b>Representative:</b>	
<b>Wholesale Distributor:</b>	



### DESCRIPTION

The ApolloXpress® Lead Free\* Press x Hose Cap & Chain ball valves are designed for direct mechanical connection to ASTM B88-Type K, L, and M copper tubing in the hard drawn condition. Valves feature a 3/4" hose connection with heavy brass cap to protect the threads. The 77WLF-HC is ideal for most plumbing and heating systems, including potable water. Now with Leak Before Press® feature and 250 psig maximum working pressure.

### FEATURES

- Full-Port
- Adjustable Stem Packing
- Fast, Reliable, Economical Press Installation
- Leak Before Press® Technology
- Lead Free\* Brass & Bronze Materials
- Heavy brass cap is full pressure rated
- Easily Identifiable Blue "Lead Free" Hang Tag
- Ridgid® "XL" Press Tool Compatible
- **Made in USA, ARRA Compliant**

### PERFORMANCE RATING†

- Maximum Operating Pressure: 250 psi
- Temperature Range: 0°F - 200°F

†APOLLOXPRESS® connectors are designed for direct mechanical connection to ASTM B88-Type K, L, and M copper tubing in the hard drawn condition. Press connectors are not suitable for steam or flammable gas service.

### APPROVED APPLICATIONS

- Water, including Potable Water
- Hydronic Heating (50% glycol max)
- Not compatible with soft annealed copper tubing

### APPROVALS

- MSS SP-110 Ball Valves
- NSF/ANSI 61-G
- NSF/ANSI 372 Lead Free\*, ANSI 3RD Party Certified

### OPTIONS

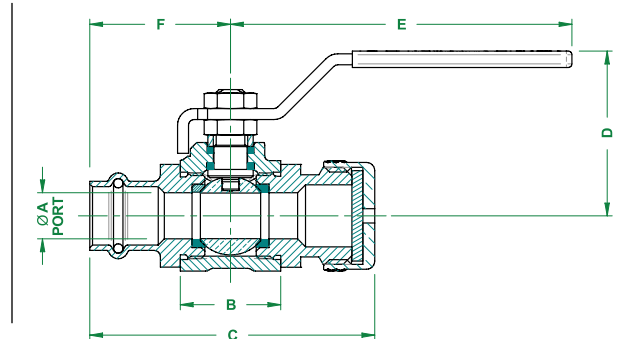
- (-04) 2 1/4" Stem Extension
- (-07) Tee-Handle
- (-10) Stainless Steel Handle and Nut
- (-11) Therma-Seal™ Insulating Tee Handle
- (-92) Balancing Stop
- (-94) 2 1/4" Stem Extension and Balancing Stop
- (77WLF-14x-HC Series) SS Ball and Stem
- (77W-HC-PR) APOLLOXPRESS®

### STANDARD MATERIALS LIST

Part Name	Material
Body	C89836 Lead Free* Bronze
Seat	Multi-Fill PTFE
Ball	C27451 Lead Free* Brass Cr. Plated
Stem Packing	Multi-Fill PTFE
Nut	Corrosion Resistant Plated Steel
Stem	C27451 Lead Free* Brass
Retainer	C27451 Lead Free* Brass
Cap	C27451 Lead Free* Brass
Handle	Plated Steel/Insulated Polyvinyl
Gland	Brass, ASTM B16, UNS# C36000
O-Ring	EPDM

### DIMENSIONS

Part Number	Size (in.)	Dimensions (in.)						Wt. (lbs.)
		A	B	C	D	E	F	
77WLF-103-HC	1/2"	0.50	1.54	3.12	1.80	3.74	1.54	0.61
77WLF-104-HC	3/4"	0.75	1.72	3.45	2.01	4.78	1.78	1.16



\* LEAD FREE: The wetted surfaces of this product shall contain no more than 0.25% lead by weighted average. Complies with Federal Public Law 111-380. ANSI 3rd party approved and listed.

Apollo Valves, Manufactured by **Conbraco Industries, Inc.**  
701 Matthews Mint-Hill Road, Matthews, NC 28105 USA  
[www.apollovalves.com](http://www.apollovalves.com) | (704) 841-6000

This specification is provided for reference only. Conbraco Industries Inc. reserves the right to change any portion of this specification without notice and without incurring obligation to make such changes to Conbraco products previously or subsequently sold. Please visit our website @ [www.apollovalves.com](http://www.apollovalves.com) for the most current information.



# 'Apollo' Valves

# SUBMITTAL SHEET

## 101T-PR

200 CWP Bronze RS Gate Valve

**APOLLOXPRESS®**



<b>Job Name:</b>	
<b>Job Location:</b>	
<b>Engineer:</b>	
<b>Contractor:</b>	
<b>Tag:</b>	
<b>PO Number:</b>	
<b>Representative:</b>	
<b>Wholesale Distributor:</b>	



### DESCRIPTION

The APOLLOXPRESS® Model 101T-PR (30 Series) Gate valve with Press connections is a proven combination that provides economical installation and reliable service. The valves are cast, machined, assembled, and tested in South Carolina using proven ASTM quality materials. The Apollo rising stem Gate valve can reliably be installed in most plumbing and heating systems including building service piping and OEM applications.

### FEATURES

- Fast, Reliable, Economical Press Installation
- Ridgid® XL Press Tool Compatible
- Leak Before Press® Technology
- Full Port Flow
- Guided Solid Bronze Disc
- Adjustable Graphite Stem Packing
- Rising Stem
- Screw-in Bonnet
- Rugged Malleable Iron Hand Wheel
- Back seat protection
- **Made in U.S.A., ARRA Compliant**

### PERFORMANCE RATING†

- Maximum Pressure: 200 psi (13.8 bar) non-shock
- Temperature Range: 0°F - 250°F (-18°C - 121°C)

†APOLLOXPRESS® connectors are designed for direct mechanical connection to ASTM B88-Type K, L, and M copper tubing in the hard drawn condition. Press connectors are not suitable for steam or flammable gas service.

### OPTIONS

- (101T-PR-LF) Lead Free APOLLOXPRESS®

### STANDARD MATERIALS LIST

Part Name	Material
Body	ASTM B62 –C83600 Bronze
Bonnet	ASTM B62 –C83600 Bronze
Connector Housing	ASTM B16 –C36000 Brass
Connector O-Ring	NSF grade EPDM
Stem	ASTM B371 C69400 Bronze
Disc	ASTM B62 –C83600 Bronze
Packing	Grafoil
Hand Wheel	Malleable Iron
Nameplate	Aluminum

### APPROVALS

- MSS SP-80, "Bronze Gate, Globe, Angle & Check Valves"
- Canadian Registration Number OC14667.5

**Not intended for potable water**

### ORDER INFORMATION

Model Number	Part Number	Size (in.)
101T-12-PR	30-003-01PR	1/2"
101T-34-PR	30-004-01PR	3/4"
101T-1-PR	30-005-01PR	1"
101T-114-PR	30-006-01PR	1-1/4"
101T-112-PR	30-007-01PR	1-1/2"
101T-2-PR	30-008-01PR	2"

### DIMENSIONS

Height open (in.)	Length (in.)	Weight (lbs)	Cv (gpm)
4.85	3.9	1.3	12.5
5.71	4.3	1.8	24.0
6.71	4.7	2.6	72.3
8.1	5.13	3.8	80.0
9.08	6.12	5.4	119.0
11.28	6.70	8.5	338.0

For liquids the flow coefficient - Cv - expresses the flow capacity in gallons per minute (GPM) of 60oF water with a pressure drop of 1 psi (lb/in<sup>2</sup>).

Apollo Valves, Manufactured by **Conbraco Industries, Inc.**  
701 Matthews Mint-Hill Road, Matthews, NC 28105 USA  
[www.apollovalves.com](http://www.apollovalves.com) | (704) 841-6000

This specification is provided for reference only. Conbraco Industries Inc. reserves the right to change any portion of this specification without notice and without incurring obligation to make such changes to Conbraco products previously or subsequently sold. Please visit our website @ [www.apollovalves.com](http://www.apollovalves.com) for the most current information.



# 'Apollo' Valves

## SUBMITTAL SHEET

### LEAD FREE

## 101T-PRLF

200 CWP Bronze RS Gate Valve

**APOLLOXPRESS®**



<b>Job Name:</b>	
<b>Job Location:</b>	
<b>Engineer:</b>	
<b>Contractor:</b>	
<b>Tag:</b>	
<b>PO Number:</b>	
<b>Representative:</b>	
<b>Wholesale Distributor:</b>	



### DESCRIPTION

The Lead Free\* APOLLOXPRESS® Model 101T-PRLF (30LF Series) Gate valve with press connectors is a proven combination that provides economical installation and reliable service for potable water applications. These valves are cast, machined, assembled, and tested in South Carolina using proven ASTM quality materials.

### FEATURES

- ANSI 3rd Party Certified Lead Free\*
- Fast, Reliable, Economical Press Installation
- Rigid® XL Press Tool Compatible
- Leak Before Press® Technology
- Full Port Flow
- Guided Solid Lead Free\* Bronze Disc
- Adjustable Graphite Stem Packing
- Rising Stem
- Screw-in Bonnet
- Rugged Malleable Iron Hand Wheel
- Back seat protection
- **Made in U.S.A., ARRA Compliant**

### APPROVALS

- MSS SP-139, "Copper Alloy Gate, Globe, & Check Valves"
- NSF/ANSI 61-G
- NSF/ANSI 372 Lead Free\*
- Canadian Registration Number 0C14667.5

### PERFORMANCE RATING<sup>†</sup>

- Maximum Pressure: 200 psi (13.8 bar) non-shock
- Temperature Range: 0°F - 250°F (-18°C - 121°C)
- Valves should be in open position to allow complete drainage during freezing conditions.

<sup>†</sup>APOLLOXPRESS® connectors are designed for direct mechanical connection to ASTM B88-Type K, L, and M copper tubing in the hard drawn condition. Press connectors are not suitable for steam or flammable gas service.

### STANDARD MATERIALS LIST

Part Name	Material
Body	ASTM B584-C89836 Bronze
Bonnet	ASTM B584-C89836 Bronze
Connector Housing	UNS C27451 Brass C27451
Connector O-Ring	NSF grade EPDM
Stem	ASTM B371 C69400 Bronze
Disc	ASTM B584-C89836 Bronze
Packing Nut	ASTM B16 Brass
Packing	Grafoil
Hand Wheel	Malleable Iron
Nameplate	Aluminum

### ORDER INFORMATION

Model Number	Part Number	Size (in.)
101T12-PRLF	30LF-003-01PR	1/2"
101T34-PRLF	30LF-004-01PR	3/4"
101T1-PRLF	30LF-005-01PR	1"
101T114-PRLF	30LF-006-01PR	1-1/4"
101T112-PRLF	30LF-007-01PR	1-1/2"
101T2-PRLF	30LF-008-01PR	2"

### DIMENSIONS

Height open (in.)	Length (in.)	Weight (lbs)	Cv (gpm)
4.85	3.9	1.3	12.5
5.71	4.3	1.8	24.0
6.71	4.7	2.6	72.3
8.1	5.13	3.8	80.0
9.08	6.12	5.4	119.0
11.28	6.70	8.5	338.0

For liquids the flow coefficient - Cv - expresses the flow capacity in gallons per minute (GPM) of 60oF water with a pressure drop of 1 psi (lb/in<sup>2</sup>).

\* LEAD FREE: The wetted surfaces of this product shall contain no more than 0.25% lead by weighted average. Complies with Federal Public Law 111-380. ANSI 3rd party approved and listed.

Apollo Valves, Manufactured by **Conbraco Industries, Inc.**  
701 Matthews Mint-Hill Road, Matthews, NC 28105 USA  
[www.apollovalves.com](http://www.apollovalves.com) | (704) 841-6000

This specification is provided for reference only. Conbraco Industries Inc. reserves the right to change any portion of this specification without notice and without incurring obligation to make such changes to Conbraco products previously or subsequently sold. Please visit our website @ [www.apollovalves.com](http://www.apollovalves.com) for the most current information.



# 'Apollo' Valves

# SUBMITTAL SHEET

## 102T-PR

200 CWP Bronze NRS Gate Valve

**APOLLOXPRESS®**



<b>Job Name:</b>	
<b>Job Location:</b>	
<b>Engineer:</b>	
<b>Contractor:</b>	
<b>Tag:</b>	
<b>PO Number:</b>	
<b>Representative:</b>	
<b>Wholesale Distributor:</b>	



### DESCRIPTION

The APOLLOXPRESS® Model 102T-PR (30 Series) Gate valve with press connections is a proven combination that provides economical installation and reliable service. The valves are cast, machined, assembled, and tested in South Carolina with proven ASTM quality material. The Apollo Gate valve can reliably be installed in most plumbing and heating systems or building service piping and OEM applications.

### FEATURES

- Fast, Reliable, Economical Press Installation
- Ridgid® XL Press Tool Compatible
- Leak Before Press® Technology
- Guided Solid Bronze Disc
- Adjustable Graphite Stem Packing
- Non-Rising Stem
- Dezincification Resistant
- All Bronze Construction
- 100% Factory tested per MSS standard
- Screw-in Bonnet
- Rugged Malleable Iron Hand Wheel
- Back seat protection
- Made in U.S.A., ARRA Compliant

### PERFORMANCE RATING†

- Maximum Pressure: 200 psi (13.8 bar) non-shock
- Temperature Range: 0°F - 250°F (-18°C - 121°C)

†APOLLOXPRESS® connectors are designed for direct mechanical connection to ASTM B88-Type K, L, and M copper tubing in the hard drawn condition. Press connectors are not suitable for steam or flammable gas service.

### OPTIONS

- (102T-PR-LF) Lead Free APOLLOXPRESS®

### STANDARD MATERIALS LIST

Part Name	Material
Body	ASTM B62 –C83600 Bronze
Bonnet	ASTM B62 –C83600 Bronze
Stem	ASTM B371 Bronze
Disc	ASTM B62 –C83600 Bronze
Connector Housing	ASTM B16 –C36000 Brass
Connector O-Ring	NSF grade EPDM
Packing	Grafoil®
Packing Nut	ASTM B16 Brass
Hand Wheel	Malleable Iron
Nameplate	Aluminum

### APPROVALS

- MSS SP-80, "Bronze Gate, Globe, Angle & Check Valves"
- Canadian Registration Number OC14667.5

**Not intended for potable water**

### ORDER INFORMATION

Model Number	Part Number	Size (in.)
102T-12-PR	30-033-01PR	1/2"
102T-34-PR	30-034-01PR	3/4"
102T-1-PR	30-035-01PR	1"
102T-114-PR	30-036-01PR	1-1/4"
102T-112-PR	30-037-01PR	1-1/2"
102T-2-PR	30-038-01PR	2"

### DIMENSIONS

Height open (in.)	Length (in.)	Weight (lbs)	Cv (gpm)
4.85	3.9	1.3	12.5
5.71	4.3	1.8	24.0
6.71	4.7	2.6	72.3
8.1	5.13	3.8	80.0
9.08	6.12	5.4	119.0
11.28	6.70	8.5	338.0

For liquids the flow coefficient - Cv - expresses the flow capacity in gallons per minute (GPM) of 60oF water with a pressure drop of 1 psi (lb/in2).

Apollo Valves, Manufactured by **Conbraco Industries, Inc.**  
701 Matthews Mint-Hill Road, Matthews, NC 28105 USA  
[www.apollovalves.com](http://www.apollovalves.com) | (704) 841-6000

This specification is provided for reference only. Conbraco Industries Inc. reserves the right to change any portion of this specification without notice and without incurring obligation to make such changes to Conbraco products previously or subsequently sold. Please visit our website @ [www.apollovalves.com](http://www.apollovalves.com) for the most current information.



# 'Apollo' Valves

## SUBMITTAL SHEET

### LEAD FREE

### 102T-PRLF

200 CWP Bronze NRS Gate Valve

**APOLLOXPRESS®**



<b>Job Name:</b>	
<b>Job Location:</b>	
<b>Engineer:</b>	
<b>Contractor:</b>	
<b>Tag:</b>	
<b>PO Number:</b>	
<b>Representative:</b>	
<b>Wholesale Distributor:</b>	



### DESCRIPTION

The Lead Free\* APOLLOXPRESS® Model 102T-PRLF (30LF Series) Gate valve with Press connectors is a proven combination that provides economical installation and reliable service for potable water applications. These valves are cast, machined, assembled, and tested in South Carolina using proven ASTM quality materials.

### FEATURES

- Fast, Easy, Economical Press Installation
- Ridgid® XL Press Tool Compatible
- Leak Before Press® Technology
- Full Port
- Guided Solid Bronze Disc
- Adjustable Graphite Stem Packing
- Non-Rising Stem
- "Lead-Free\*" AB1953 Certified
- 100% Factory tested per MSS
- Screw-in Bonnet
- Rugged Malleable Iron Hand Wheel
- Back seat protection
- **Made in U.S.A., ARRA Compliant**

### APPROVALS

- MSS SP-139, "Copper Alloy Bronze Gate, Globe, Angle & Check Valves"
- NSF/ANSI 61-G
- NSF/ANSI 372 Lead Free\*

### PERFORMANCE RATING<sup>†</sup>

- Maximum Pressure: 200 psi (13.8 bar) non-shock
- Temperature Range: 0°F - 250°F (-18°C - 121°C)
- Valves should be in open position to allow complete drainage during freezing conditions.

<sup>†</sup>APOLLOXPRESS® connectors are designed for direct mechanical connection to ASTM B88-Type K, L, and M copper tubing in the hard drawn condition. Press connectors are not suitable for steam or flammable gas service.

### STANDARD MATERIALS LIST

Part Name	Material
Body	ASTM B584-C89836 Bronze
Bonnet	ASTM B584-C89836 Bronze
Stem	ASTM B371 Bronze
Connector Housing	UNS C27451 Brass
Connector O-Ring	NSF Grade EPDM
Disc	ASTM B584-C89836 Bronze
Packing	Grafoil®
Packing Nut	ASTM B16 Brass
Hand Wheel	Malleable Iron
Nameplate	Aluminum

### ORDER INFORMATION

Model Number	Part Number	Size (in.)
102T12-PRLF	30LF-033-01PR	1/2"
102T34-PRLF	30LF-034-01PR	3/4"
102T1-PRLF	30LF-035-01PR	1"
102T114-PRLF	30LF-036-01PR	1-1/4"
102T112-PRLF	30LF-037-01PR	1-1/2"
102T2-PRLF	30LF-038-01PR	2"

### DIMENSIONS

Height open (in.)	Length (in.)	Weight (lbs)	Cv (gpm)
4.85	3.9	1.3	12.5
5.71	4.3	1.8	24.0
6.71	4.7	2.6	72.3
8.1	5.13	3.8	80.0
9.08	6.12	5.4	119.0
11.28	6.70	8.5	338.0

\*\* Cv = flowrate at 1.0 psid.

\* LEAD FREE: The wetted surfaces of this product shall contain no more than 0.25% lead by weighted average. Complies with Federal Public Law 111-380. ANSI 3rd party approved and listed.

Apollo Valves, Manufactured by **Conbraco Industries, Inc.**  
701 Matthews Mint-Hill Road, Matthews, NC 28105 USA  
[www.apollovalves.com](http://www.apollovalves.com) | (704) 841-6000

This specification is provided for reference only. Conbraco Industries Inc. reserves the right to change any portion of this specification without notice and without incurring obligation to make such changes to Conbraco products previously or subsequently sold. Please visit our website at [www.apollovalves.com](http://www.apollovalves.com) for the most current information.



# 'Apollo' Valves

# SUBMITTAL SHEET

## 120T-PR

200 CWP Bronze NRS Globe Valve

**APOLLOXPRESS®**



<b>Job Name:</b>	
<b>Job Location:</b>	
<b>Engineer:</b>	
<b>Contractor:</b>	
<b>Tag:</b>	
<b>PO Number:</b>	
<b>Representative:</b>	
<b>Wholesale Distributor:</b>	



### DESCRIPTION

The APOLLOXPRESS® Model 120T-PR (33 Series) Globe valve with press connections is a proven combination that provides economical installation and reliable service. The valves are cast, machined, assembled, and tested in South Carolina with proven ASTM quality material. The Apollo Globe valve can reliably be installed in most plumbing and heating systems (or building service piping).

### FEATURES

- Fast, Reliable, Economical Press Installation
- Ridgid® XL Press Tool Compatible
- Leak Before Press® Technology
- Optimum Flow Capacity
- PTFE Soft Seat
- Adjustable Graphite Stem Packing
- Dezincification Resistant
- 100% Factory tested per MSS standard
- Screw-in Bonnet
- Rugged Malleable Iron Hand Wheel
- Back seat protection
- **Made in U.S.A., ARRA Compliant**

### PERFORMANCE RATING<sup>†</sup>

- Maximum Pressure: 200 psi (13.8 bar) non-shock
- Temperature Range: 0°F - 250°F (-18°C - 121°C)

*†APOLLOXPRESS® connectors are designed for direct mechanical connection to ASTM B88-Type K, L, and M copper tubing in the hard drawn condition. Press connectors are not suitable for steam or flammable gas service.*

### OPTIONS

- (120T-PR-LF) Lead Free APOLLOXPRESS®

### STANDARD MATERIALS LIST

Part Name	Material
Body	ASTM B62 –C83600 Bronze
Bonnet	ASTM B62 –C83600 Bronze
Stem	ASTM B371 Bronze
Disc	ASTM B62 –C83600 Bronze
Connector Housing	ASTM B16 –C36000 Brass
Connector O-Ring	NSF grade EPDM
Packing	Grafoil®
Packing Nut	ASTM B16 Brass
Hand Wheel	Malleable Iron
Nameplate	Aluminum

### APPROVALS

- MSS SP-80, "Bronze Gate, Globe, Angle & Check Valves",
- Canadian Registration Number OC14667.5

**Not intended for potable water**

### ORDER INFORMATION

Model Number	Part Number	Size (in.)
120T-12-PR	33-133-01PR	1/2"
120T-34-PR	33-134-01PR	3/4"
120T-1-PR	33-135-01PR	1"
120T-114-PR	33-136-01PR	1-1/4"
120T-112-PR	33-137-01PR	1-1/2"
120T-2-PR	33-138-01PR	2"

### DIMENSIONS

Height open (in.)	Length (in.)	Weight (lbs)	Cv (gpm)
3.47	4.5	1.1	4.4
4.75	5.9	1.9	7.4
5.40	7.0	3.0	12.1
7.80	8.5	7.8	29.0
7.80	9.2	7.8	30.0
8.43	10.8	11.3	49.0

*For liquids the flow coefficient - Cv - expresses the flow capacity in gallons per minute (GPM) of 60oF water with a pressure drop of 1 psi (lb/in<sup>2</sup>).*

Apollo Valves, Manufactured by **Conbraco Industries, Inc.**  
701 Matthews Mint-Hill Road, Matthews, NC 28105 USA  
[www.apollovalves.com](http://www.apollovalves.com) | (704) 841-6000

This specification is provided for reference only. Conbraco Industries Inc. reserves the right to change any portion of this specification without notice and without incurring obligation to make such changes to Conbraco products previously or subsequently sold. Please visit our website @ [www.apollovalves.com](http://www.apollovalves.com) for the most current information.





# 'Apollo' Valves

## SUBMITTAL SHEET

### LEAD FREE

## 120T-PRLF

200 CWP PTFE Seat **Globe Valve**

**APOLLOXPRESS®**



<b>Job Name:</b>	
<b>Job Location:</b>	
<b>Engineer:</b>	
<b>Contractor:</b>	
<b>Tag:</b>	
<b>PO Number:</b>	
<b>Representative:</b>	
<b>Wholesale Distributor:</b>	



### DESCRIPTION

The Lead Free\* APOLLOXPRESS® Model 120T-PRLF (33LF Series) Globe valve with press connections is a proven combination that provides economical installation and reliable service for potable water applications. These valves are cast, machined, assembled, and tested in South Carolina using proven ASTM quality materials.

### FEATURES

- ANSI 3rd party Certified "Lead-Free\*\*"
- Fast, Reliable, Economical Press Installation
- Ridgid® XL Press Tool Compatible
- Leak Before Press® Technology
- Optimum Flow Capacity
- PTFE Soft Seat
- Adjustable Graphite Stem Packing
- Dezincification Resistant
- 100% Factory tested per MSS standards
- Screw-in Bonnet
- Rugged Malleable Iron Hand Wheel
- Back seat protection
- **Made in U.S.A., ARRA Compliant**

### APPROVALS

- NSF/ANSI 61-G
- NSF/ANSI 372 Lead Free\*
- MSS SP-139, "Copper Alloy Gate, Globe, & Check Valves"
- Canadian Registration Number 0C14667.5

### PERFORMANCE RATING†

- Maximum Pressure: 200 psi (13.8 bar) non-shock
- Temperature Range: 0°F - 250°F (-18°C - 121°C)
- Valves should be in open position to allow complete drainage during freezing conditions.

†APOLLOXPRESS® connectors are designed for direct mechanical connection to ASTM B88-Type K, L, and M copper tubing in the hard drawn condition. Press connectors are not suitable for steam or flammable gas service.

### STANDARD MATERIALS LIST

Part Name	Material
Body	ASTM B584 C89836 Bronze
Bonnet	ASTM B584 C89836 Bronze
Stem	ASTM B371 C69400 Bronze
Connector Housing	UNS C27451 Brass C27451
Connector O-Ring	NSF grade EPDM
Disc	PTFE
Packing Nut	ASTM B16 Brass
Packing	Grafoil®
Hand Wheel	Malleable Iron
Nameplate	Aluminum

### ORDER INFORMATION

Model Number	Part Number	Size (in.)
120T12-PRLF	33LF-133-01PR	1/2"
120T34-PRLF	33LF-134-01PR	3/4"
120T1-PRLF	33LF-135-01PR	1"
120T114-PRLF	33LF-136-01PR	1-1/4"
120T112-PRLF	33LF-137-01PR	1-1/2"
120T2-PRLF	33LF-138-01PR	2"

### DIMENSIONS

Height open (in.)	Length (in.)	Weight (lbs)	Cv (gpm)
3.47	2.70	1.1	4.4
4.75	3.20	1.9	7.4
5.40	3.75	3.0	12.1
7.78	4.74	7.3	29.0
7.78	4.74	7.0	30.0
8.43	5.72	10.7	49.0

\*\* Cv = flowrate at 1.0 psid.

\* LEAD FREE: The wetted surfaces of this product shall contain no more than 0.25% lead by weighted average. Complies with Federal Public Law 111-380. ANSI 3rd party approved and listed.

Apollo Valves, Manufactured by **Conbraco Industries, Inc.**  
701 Matthews Mint-Hill Road, Matthews, NC 28105 USA  
www.apollovalves.com | (704) 841-6000

This specification is provided for reference only. Conbraco Industries Inc. reserves the right to change any portion of this specification without notice and without incurring obligation to make such changes to Conbraco products previously or subsequently sold. Please visit our website @ www.apollovalves.com for the most current information.



"Apollo" Valves

# SUBMITTAL SHEET

## 61 Series

In-Line Check Valve

### APOLLOXPRESS®



<b>Job Name:</b>	
<b>Job Location:</b>	
<b>Engineer:</b>	
<b>Contractor:</b>	
<b>Tag:</b>	
<b>PO Number:</b>	
<b>Representative:</b>	
<b>Wholesale Distributor:</b>	



### DESCRIPTION

The APOLLOXPRESS® Model CVB-PR (61 Series) BALL-CONE® check valves with Press connections offer reliable protection against reverse flow in a variety of liquid applications including hot and chilled water / HVAC applications using proven ASTM quality materials. May be installed in both horizontal and vertical flow with upward flow.

### FEATURES

- Fast, Reliable, Economical Press Installation
- Ridgid® XL Press Tool Compatible
- Leak Before Press® Technology
- 1/2 psi spring cracking pressure is standard
- Tight Shut-off With Liquid Media
- Straight-through Flow Design Efficiency
- RPTFE Ball-Cone® for Chemical Resistance
- Made in USA, ARRA Compliant

### APPROVALS

- Canadian Registration Number OC11218.5C

**Not intended for potable water**

### PERFORMANCE RATING†

- Maximum Pressure: 250 psi (17.2 bar) non-shock
- Temperature Range: 0°F - 250°F (-18°C - 121°C)

†APOLLOXPRESS® connectors are designed for direct mechanical connection to ASTM B88-Type K, L, and M copper tubing in the hard drawn condition. Press connectors are not suitable for steam or flammable gas service.

### OPTIONS

- Soft Seat (61-500 Series)
- 0 psig Cracking Pressure (No Spring)
- 5 psig Cracking Pressure
- 10 psig Cracking Pressure
- Lead Free 0.25% Lead Max.
- (61LF-PR Series) Lead Free APOLLOXPRESS®

### STANDARD MATERIALS LIST

Part Name	Material
Body	ASTM B584 Bronze C84400
Retainer	ASTM B16 Brass
Spring	AISI 316 Stainless Steel
Connector Housing	ASTM B16 Brass
Connector Retainer	316 Stainless Steel
Ball Cone Check	RPTFE, 15% Glass Filled
Stem	ASTM B16 Brass

### DIMENSIONS

Model Number	Part Number	Size (in.)	Length	Cv	Wt. (lbs.)
CVB12PR	61-103-01PR	1/2"	4.2"	1.4	.42
CVB34PR	61-104-01PR	3/4"	5.0"	3.5	1.0
CVB1PR	61-105-01PR	1"	5.8"	6.0	1.9
CVB114PR	61-106-01PR	1-1/4"	6.7"	44	3.35
CVB112PR	61-107-01PR	1-1/2"	8.2"	65	4.6
CVB2PR	61-108-01PR	2"	9.7"	81	7.3

For liquids the flow coefficient - Cv - expresses the flow capacity in gallons per minute (GPM) of 60°F water with a pressure drop of 1 psi (lb/in<sup>2</sup>).

**Precautionary Note:** Not recommended for applications which may induce pulsation or repetitive vibration. See Installation Manual for details.

Apollo Valves, Manufactured by **Conbraco Industries, Inc.**  
701 Matthews Mint-Hill Road, Matthews, NC 28105 USA  
[www.apollovalves.com](http://www.apollovalves.com) | (704) 841-6000

This specification is provided for reference only. Conbraco Industries Inc. reserves the right to change any portion of this specification without notice and without incurring obligation to make such changes to Conbraco products previously or subsequently sold. Please visit our website at [www.apollovalves.com](http://www.apollovalves.com) for the most current information.



# 'Apollo' Valves

## SUBMITTAL SHEET

### LEAD FREE

## 61LF Series

In-Line Check Valve

### APOLLOXPRESS®



<b>Job Name:</b>	
<b>Job Location:</b>	
<b>Engineer:</b>	
<b>Contractor:</b>	
<b>Tag:</b>	
<b>PO Number:</b>	
<b>Representative:</b>	
<b>Wholesale Distributor:</b>	



### DESCRIPTION

The Lead Free\* APOLLOXPRESS® Model CVB-PRLF (61LF Series) BALL-CONE® check valves with Press connections offer reliable protection against reverse flow in potable water applications using proven ASTM quality materials made in the USA. Valves may be installed in both horizontal and vertical flow with upward flow.

### FEATURES

- Fast, Reliable, Economical Press Installation
- Ridgid® XL Press Tool Compatible
- Leak Before Press® Technology
- 1/2 psi spring cracking pressure
- Tight Shut-off With Liquid Media
- Straight-through Flow Design Efficiency
- RPTFE Ball-Cone® for Chemical Resistance
- Made in USA, ARRA Compliant

### PERFORMANCE RATING†

- Maximum Pressure: 250 psi (17.2 bar) non-shock
- Temperature Range: 0°F - 250°F (-18°C - 121°C)

†APOLLOXPRESS® connectors are designed for direct mechanical connection to ASTM B88-Type K, L, and M copper tubing in the hard drawn condition. Press connectors are not suitable for steam or flammable gas service.

### STANDARD MATERIALS LIST

Part Name	Material
Body	ASTM B584 C89836 Lead Free* Bronze
Retainer	UNS C27450 Lead Free* Brass
Connector Housing	UNSC27450 Lead Free* Brass
Connector O-Ring	NSF grade EPDM
Spring	AISI 316 Stainless Steel
Ball Cone Check	RPTFE, 15% Glass Filled
Stem	UNS C27450 Lead Free* Brass

### APPROVALS

- NSF/ANSI 61-G
- NSF/ANSI 372 Lead Free\*
- Canadian Registration Number 0C11218.5C

### OPTIONS

- Soft Seat (61LF-500 Series)
- 0 psig Cracking Pressure (No Spring)
- 5 psig Cracking Pressure
- 10 psig Cracking Pressure
- Consult factory for availability of LF Model options
- (61-PR) APOLLOXPRESS®

### DIMENSIONS

Model Number	LF Part Number	Size (in.)	Length	Cv	Wt. (lbs.)
CVB12PRLF	61LF-103-01PR	1/2"	4.2"	1.4	.42
CVB34PRLF	61LF-104-01PR	3/4"	5.0"	3.5	1.0
CVB1PRLF	61LF-105-01PR	1"	5.8"	6.0	1.9
CVB114PRLF	61LF-106-01PR	1-1/4"	6.7"	44	3.35
CVB112PRLF	61LF-107-01PR	1-1/2"	8.2"	65	4.6
CVB2PRLF	61LF-108-01PR	2"	9.7"	81	7.3

For liquids the flow coefficient - Cv - expresses the flow capacity in gallons per minute (GPM) of 60°F water with a pressure drop of 1 psi (lb/in<sup>2</sup>).

\* LEAD FREE: The wetted surfaces of this product shall contain no more than 0.25% lead by weighted average. Complies with Federal Public Law 111-380. ANSI 3rd party approved and listed.

**Precautionary Note:** Not recommended for applications which may induce pulsation or repetitive vibration. See Installation Manual for details.

Apollo Valves, Manufactured by **Conbraco Industries, Inc.**  
701 Matthews Mint-Hill Road, Matthews, NC 28105 USA  
www.apollovalves.com | (704) 841-6000

This specification is provided for reference only. Conbraco Industries Inc. reserves the right to change any portion of this specification without notice and without incurring obligation to make such changes to Conbraco products previously or subsequently sold. Please visit our website @ www.apollovalves.com for the most current information.



"Apollo" Valves

# SUBMITTAL SHEET

## 163T-PR Model

200 CWP Bronze Swing Check  
**APOLLOXPRESS®**



<b>Job Name:</b>	
<b>Job Location:</b>	
<b>Engineer:</b>	
<b>Contractor:</b>	
<b>Tag:</b>	
<b>PO Number:</b>	
<b>Representative:</b>	
<b>Wholesale Distributor:</b>	



### DESCRIPTION

The APOLLOXPRESS® Model 163T-PR (61Y Series) Swing Check valve with press connectors is a proven combination that provides economical installation and reliable service. These valves are cast, machined, assembled, and tested in South Carolina using proven ASTM quality materials.

### FEATURES

- Fast, Reliable, Economical Press Installation
- Ridgid® XL Press Tool Compatible
- Leak Before Press® Technology
- Renewable PTFE Seat Disc
- Dezincification Resistant
- Factory tested per MSS SP-80
- **Made in USA, ARRA Compliant**

### APPROVALS

- MSS SP-80, "Bronze Gate, Globe & Check Valves"
- Canadian Registration Number 0C14667.5

### PERFORMANCE RATING<sup>†</sup>

- Maximum Pressure: 200 psi (13.8 bar) non-shock
- Temperature Range: 0°F - 250°F (-18°C - 121°C)

<sup>†</sup>APOLLOXPRESS® connectors are designed for direct mechanical connection to ASTM B88-Type K, L, and M copper tubing in the hard drawn condition. Press connectors are not suitable for steam or flammable gas service.

### OPTIONS

- (163T-PR-LF) Lead Free APOLLOXPRESS®

**Not intended for potable water**

### STANDARD MATERIALS LIST

Part Name	Material
Body	ASTM B62 Bronze
Cap	ASTM B62 Bronze
Connector Housing	ASTM B16 Brass
Connector O-Ring	FDA grade EPDM
Hanger	304 Stainless Steel or ASTM B62 Bronze
Pin	Stainless Steel
Seat	PTFE
Plug	ASTM B16 Brass

### DIMENSIONS

Model Number	Part Number	Size (in.)	Height	Length	Cv	Wt. (lbs.)
163T12-PR	61Y-203-T1PR	1/2"	1.65	4.3	7.0	.78
163T34-PR	61Y-204-T1PR	3/4"	1.9	5.1	12.0	1.8
163T1-PR	61Y-205-T1PR	1"	2.26	5.9	28.6	2.5
163T114-PR	61Y-206-T1PR	1-1/4"	2.99	7.0	39.0	4.4
163T112-PR	61Y-207-T1PR	1-1/2"	2.99	7.75	56.0	4.5
163T2-PR	61Y-208-T1PR	2"	3.74	8.9	152.0	7.0

For liquids the flow coefficient - Cv - expresses the flow capacity in gallons per minute (GPM) of 60°F water with a pressure drop of 1 psi (lb/in<sup>2</sup>).

**Precautionary Note:** Not recommended for applications which may induce pulsation or repetitive vibration. See Installation Manual for details.

Apollo Valves, Manufactured by **Conbraco Industries, Inc.**  
701 Matthews Mint-Hill Road, Matthews, NC 28105 USA  
[www.apollovalves.com](http://www.apollovalves.com) | (704) 841-6000

This specification is provided for reference only. Conbraco Industries Inc. reserves the right to change any portion of this specification without notice and without incurring obligation to make such changes to Conbraco products previously or subsequently sold. Please visit our website at [www.apollovalves.com](http://www.apollovalves.com) for the most current information.



"Apollo" Valves

# SUBMITTAL SHEET

## LEAD FREE

### 163T-PRLF Model

200 CWP Bronze Swing Check

## APOLLOXPRESS®



<b>Job Name:</b>	
<b>Job Location:</b>	
<b>Engineer:</b>	
<b>Contractor:</b>	
<b>Tag:</b>	
<b>PO Number:</b>	
<b>Representative:</b>	
<b>Wholesale Distributor:</b>	



### DESCRIPTION

The Lead Free\* APOLLOXPRESS® Model 163T-PRLF (Series 61YLF) Swing Check with press connections is a proven combination that provides economical installation and reliable service for potable water applications. These valves are cast, machined, assembled, and tested in South Carolina using proven ASTM quality materials.

### FEATURES

- Fast, Reliable, Economical Press Installation
- Ridgid® XL Press Tool Compatible
- Leak Before Press® Technology
- ANSI/NSF 61-8
- Quick Press End Connection
- Renewable PTFE Seat Disc
- Dezincification Resistant
- **Made in USA, ARRA Compliant**

### APPROVALS

- MSS SP-139, "Copper Alloy Gate, Globe, & Check Valves"
- NSF/ANSI 61-G
- NSF/ANSI 372 Lead Free
- Canadian Registration Number 0C14667.5

### PERFORMANCE RATING†

- Maximum Pressure: 200 psi (13.8 bar) non-shock
- Temperature Range: 0°F - 250°F (-18°C - 121°C)

†APOLLOXPRESS® connectors are designed for direct mechanical connection to ASTM B88-Type K, L, and M copper tubing in the hard drawn condition. Press connectors are not suitable for steam or flammable gas service.

### OPTIONS

- (163T-PR) APOLLOXPRESS®

### STANDARD MATERIALS LIST

Part Name	Material
Body	ASTM B584 C89836 Bronze
Cap	ASTM B584 C89836 Bronze
Connector Housing	UNS C27450 Brass
Connector O-Ring	NSF grade EPDM
Hanger	304 Stainless Steel or ASTM B584 C89836 Bronze
Pin	Stainless Steel
Seat	PTFE
Plug	UNS C27450 Brass

### DIMENSIONS

Model Number	Part Number	Size (in.)	Height	Length	Cv	Wt. (lbs.)
163T12-PRLF	61YLF-203-T1PR	1/2"	1.65	4.3	7.0	.78
163T34-PRLF	61YLF-204-T1PR	3/4"	1.9	5.1	12.0	1.8
163T1-PRLF	61YLF-205-T1PR	1"	2.26	5.9	28.6	2.5
163T114-PRLF	61YLF-206-T1PR	1-1/4"	2.99	7.0	39.0	4.4
163T112-PRLF	61YLF-207-T1PR	1-1/2"	2.99	7.75	56.0	4.5
163T2-PRLF	61YLF-208-T1PR	2"	3.74	8.9	152.0	7.0

For liquids the flow coefficient - Cv - expresses the flow capacity in gallons per minute (GPM) of 60°F water with a pressure drop of 1 psi (lb/in<sup>2</sup>).

**Precautionary Note:** Not recommended for applications which may induce pulsation or repetitive vibration. See Installation Manual for details.

\* LEAD FREE: The wetted surfaces of this product shall contain no more than 0.25% lead by weighted average. Complies with Federal Public Law 111-380. ANSI 3rd party approved and listed.

Apollo Valves, Manufactured by **Conbraco Industries, Inc.**  
701 Matthews Mint-Hill Road, Matthews, NC 28105 USA  
[www.apollovalves.com](http://www.apollovalves.com) | (704) 841-6000

This specification is provided for reference only. Conbraco Industries Inc. reserves the right to change any portion of this specification without notice and without incurring obligation to make such changes to Conbraco products previously or subsequently sold. Please visit our website at [www.apollovalves.com](http://www.apollovalves.com) for the most current information.



# 'Apollo' Valves

# SUBMITTAL SHEET

## 36 Series

Water Pressure Reducing Valve

**APOLLOXPRESS®**



<b>Job Name:</b>	
<b>Job Location:</b>	
<b>Engineer:</b>	
<b>Contractor:</b>	
<b>Tag:</b>	
<b>PO Number:</b>	
<b>Representative:</b>	
<b>Wholesale Distributor:</b>	



### DESCRIPTION

The APOLLOXPRESS® Model PR-PR (36 Series) Pressure Reducing Valves with Press end connections are designed to protect residential and commercial water distribution systems by controlling excessive pressures. The valves are built for long reliable service with proven ASTM grade materials including a bronze body and cover and integral stainless steel strainer.

### FEATURES

- Fast, Reliable, Economical Press Installation
- Ridgid® XL Press Tool Compatible
- Leak Before Press® Technology
- Corrosion Resistant Bronze Body and Bonnet
- Integral SS Strainer
- Balanced Piston Design
- Internal Thermal Expansion By-pass
- High and Low Pressure Range Options
- Pressure Gauge Connection Option
- **Made in USA, ARRA Compliant**

### PERFORMANCE RATING†

- Maximum Press Fitting Pressure: 250 psi (17.2 bar)
- Maximum Temperature: 180°F (82°C)

†APOLLOXPRESS® connectors are designed for direct mechanical connection to ASTM B88-Type K, L, and M copper tubing in the hard drawn condition. Press connectors are not suitable for steam or flammable gas service.

### OPTIONS

- (36LF-PR) Lead Free APOLLOXPRESS®

### STANDARD MATERIALS LIST

Part Name	Material
Body	Bronze, ASTM B584
Covers	Bronze, ASTM B584
Diaphragm	FDA Grade Buna W/ Polyester
Seat disc	FDA Grade EPDM
Stem	Brass, ASTM B-16
Spring	Stainless Steel
Piston O-Ring	FDA approved Nitrile
Connector Housing	ASTM B16 Brass
Connector O-Ring	FDA grade EPDM

### APPROVALS

- ASSE 1003-2009; "Water Pressure Reducing Valves"
- CSA B356 "Water Pressure Reducing Valves for Domestic Water Supply Systems."

**Not intended for potable water**

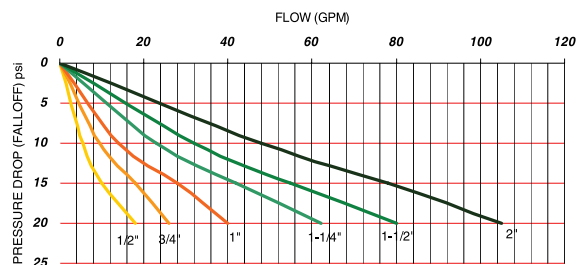
### DIMENSIONS

Model Number	Part Number	Size (in.)	Length	Height from CL	Wt. (lbs.)
PR12PR	36-203-01PR	1/2"	5.53"	4.75"	3.1
PR34PR	36-204-01PR	3/4"	5.80"	4.75"	3.3
PR1PR	36-205-01PR	1"	6.35"	5.9"	4.1
PR114PR	36-206-01PR	1-1/4"	7.88"	7.49"	9.0
PR112PR	36-207-01PR	1-1/2"	8.62"	7.49"	9.0
PR2PR	36-208-01PR	2"	10.76"	9.76"	21

### MODEL NUMBER

PR	X	X	X	PR
SIZE	PRESSURE GAUGE	PRESSURE RANGE		
12 = 1/2"	blank = No Gauge Port	blank = 25 - 75 PSIG		
34 = 3/4"	P = w/Gauge Port Plugged	L = 10 - 35 PSIG		
1 = 1"	G = w/Pressure Gauge	H = 75 - 125 PSIG		
114 = 1-1/4"				
112 = 1-1/2"				
2 = 2"				

### FLOW CHART



Apollo Valves, Manufactured by **Conbraco Industries, Inc.**  
701 Matthews Mint-Hill Road, Matthews, NC 28105 USA  
[www.apollovalves.com](http://www.apollovalves.com) | (704) 841-6000

This specification is provided for reference only. Conbraco Industries Inc. reserves the right to change any portion of this specification without notice and without incurring obligation to make such changes to Conbraco products previously or subsequently sold. Please visit our website @ [www.apollovalves.com](http://www.apollovalves.com) for the most current information.



# 'Apollo' Valves

## SUBMITTAL SHEET

### LEAD FREE

## 36LF Series

Water Pressure Reducing Valve

### APOLLOXPRESS®



<b>Job Name:</b>	
<b>Job Location:</b>	
<b>Engineer:</b>	
<b>Contractor:</b>	
<b>Tag:</b>	
<b>PO Number:</b>	
<b>Representative:</b>	
<b>Wholesale Distributor:</b>	



### DESCRIPTION

The Lead Free\* APOLLOXPRESS® Model PR-PRLF (36LF Series) Pressure Reducing Valves with Press connections are designed to protect residential and commercial potable water distribution systems by controlling excessive pressures. The valves are built for long reliable service with proven ASTM grade Lead Free\* materials.

### FEATURES

- ANSI 3rd Party Certified Lead Free
- Fast, Reliable, Economical Press Installation
- Ridgid® XL Press Tool Compatible
- Leak Before Press® Technology
- Corrosion Resistant Bronze Body and Cover
- Integral SS Strainer
- Balanced Piston Design
- Internal Thermal Expansion By-pass
- High and Low Pressure Range Options
- Pressure Gauge Connection Option
- **Made in USA, ARRA Compliant**

### APPROVALS

- ASSE 1003-2009; "Water Pressure Reducing Valves"
- CSA B356 "Water pressure reducing valves..."
- NSF/ANSI 372 Lead Free

### PERFORMANCE RATING†

- Maximum Press Fitting Pressure: 250 psi (17.2 bar)
- Maximum Temperature: 180°F (82°C)

†APOLLOXPRESS® connectors are designed for direct mechanical connection to ASTM B88-Type K, L, and M copper tubing in the hard drawn condition. Press connectors are not suitable for steam or flammable gas service.

### STANDARD MATERIALS LIST

Part Name	Material
Body	ASTM B584 C89836 Bronze
Cover	ASTM B584 C84400 Bronze
Diaphragm	FDA Grade Buna W/ Polyester
Seat disc	FDA Grade EPDM
Stem	UNS C27450 Brass
Spring	Stainless Steel
O-Rings	FDA Grade EPDM
Connector Housing	UNS 27450 Brass
Connector O-Ring	FDA Grade EPDM

### OPTIONS

- (36-PR) APOLLOXPRESS®

### DIMENSIONS

Model Number	LF Part Number	Size (in.)	Length	Height from CL	Wt. (lbs.)
PR12PRLF	36LF-203-01PR	1/2"	5.53"	4.75"	3.1
PR34PRLF	36LF-204-01PR	3/4"	5.80"	4.75"	3.1
PR1PRLF	36LF-205-01PR	1"	6.35"	5.9"	4.1
PR114PRLF	36LF-206-01PR	1-1/4"	7.88"	7.49"	9.0
PR112PRLF	36LF-207-01PR	1-1/2"	8.62"	7.49"	9.0
PR2PRLF	36LF-208-01PR	2"	10.76"	9.76"	21.0

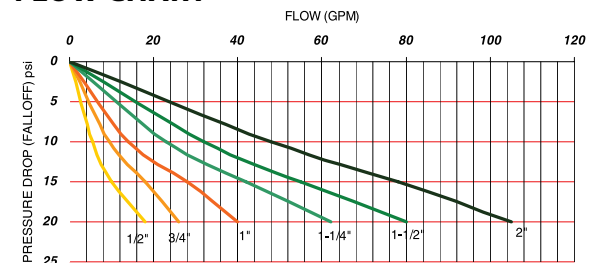
### MODEL NUMBER

PR	X	X	X	PRLF
SIZE	PRESSURE GAUGE	PRESSURE RANGE		
12 = 1/2"	blank = No Gauge Port	blank = 25 - 75 PSIG		
34 = 3/4"	P = w/Gauge Port Plugged	L = 10 - 35 PSIG		
1 = 1"	G = w/Pressure Gauge	H = 75 - 125 PSIG		
114 = 1-1/4"				
112 = 1-1/2"				
2 = 2"				

\* LEAD FREE: The wetted surfaces of this product shall contain no more than 0.25% lead by weighted average. Complies with Federal Public Law 111-380. ANSI 3rd party approved and listed.

This specification is provided for reference only. Conbraco Industries Inc. reserves the right to change any portion of this specification without notice and without incurring obligation to make such changes to Conbraco products previously or subsequently sold. Please visit our website @ [www.apollovalves.com](http://www.apollovalves.com) for the most current information.

### FLOW CHART



Apollo Valves, Manufactured by **Conbraco Industries, Inc.**  
 701 Matthews Mint-Hill Road, Matthews, NC 28105 USA  
[www.apollovalves.com](http://www.apollovalves.com) | (704) 841-6000



"Apollo" Valves

# SUBMITTAL SHEET

## 36C Series

Water Pressure Reducing Valve  
**APOLLOXPRESS®**



<b>Job Name:</b>	
<b>Job Location:</b>	
<b>Engineer:</b>	
<b>Contractor:</b>	
<b>Tag:</b>	
<b>PO Number:</b>	
<b>Representative:</b>	
<b>Wholesale Distributor:</b>	



### DESCRIPTION

The APOLLOXPRESS® Model PRC-PR (36C Series) Pressure Reducing Valves with Press connections are easily installed to protect residential and commercial water distribution systems by automatically controlling excessive pressure. The dielectric thermoplastic cage provides maximum corrosion resistance. Designed for easy in-line servicing with bottom cleanout and service access.

### FEATURES

- Fast, Reliable, Economical Press Installation
- Ridgid® XL Press Tool Compatible
- Leak Before Press® Technology
- Balanced Piston Design
- SS Adjusting Screw and Sealed Cage Standard
- Built-in Thermal Expansion By-Pass
- Bottom Access to Seat Disc and Strainer
- **Made in USA, ARRA Compliant**

### APPROVALS

- ASSE 1003-2009; "Water Pressure Reducing Valves"
- CSA B356 "Water pressure reducing valves for domestic water supply systems"

### PERFORMANCE RATING<sup>†</sup>

- Maximum Press Fitting Pressure: 250 psig non-shock
- Standard Temperature Range: 33°F – 180°F
- Maximum Set Pressure: 125 psig

<sup>†</sup>APOLLOXPRESS® connectors are designed for direct mechanical connection to ASTM B88-Type K, L, and M copper tubing in the hard drawn condition. Press connectors are not suitable for steam or flammable gas service.

### OPTIONS

- (36C-PR-LF) Lead Free APOLLOXPRESS®

**Not intended for potable water**

### STANDARD MATERIALS LIST

Part Name	Material
Body	Bronze, ASTM B584
Tailpiece	Brass, ASTM B16
Screen	Stainless Steel
Cap	Glass Filled Celcon®
Diaphragm	FDA grade EPDM Reinforced
Seat disc	FDA grade EPDM
Stem / Adj Screw	Brass, ASTM B-16 / Stainless
Spring	Music Wire ASTM 228
O-Rings	FDA grade Nitrile
Connector Housing	ASTM B16 Brass
Connector O-Ring	FDA grade EPDM

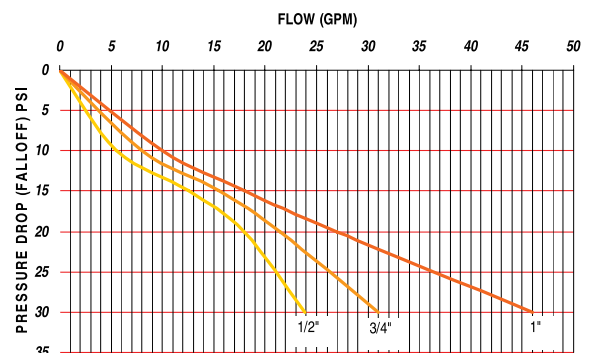
### DIMENSIONS

Model Number	Part Number	Size (in.)	Length	Height from CL	Wt. (lbs.)
PRC12PR	36C-203-01PR	1/2"	5.35"	4.75"	2.1
PRC34PR	36C-204-01PR	3/4"	5.68"	4.75"	2.3
PRC1PR	36C-205-01PR	1"	6.25"	4.75"	2.9

### MODEL NUMBER

PRC	X	X	X	PR
SIZE	PRESSURE GAUGE		PRESSURE RANGE	
12 = 1/2"	blank =	No Gauge Port	blank =	25 - 75 PSIG
34 = 3/4"	P =	w/Gauge Port Plugged	L =	10 - 35 PSIG
1 = 1"	G =	w/Pressure Gauge	H =	75 - 125 PSIG

### FLOW CHART



Apollo Valves, Manufactured by **Conbraco Industries, Inc.**  
701 Matthews Mint-Hill Road, Matthews, NC 28105 USA  
[www.apollovalves.com](http://www.apollovalves.com) | (704) 841-6000

This specification is provided for reference only. Conbraco Industries Inc. reserves the right to change any portion of this specification without notice and without incurring obligation to make such changes to Conbraco products previously or subsequently sold. Please visit our website @ [www.apollovalves.com](http://www.apollovalves.com) for the most current information.





# 'Apollo' Valves

## SUBMITTAL SHEET

### LEAD FREE

## 36CLF Series

Water Pressure Reducing Valve

### APOLLOXPRESS®



<b>Job Name:</b>	
<b>Job Location:</b>	
<b>Engineer:</b>	
<b>Contractor:</b>	
<b>Tag:</b>	
<b>PO Number:</b>	
<b>Representative:</b>	
<b>Wholesale Distributor:</b>	



### DESCRIPTION

The Lead Free\* APOLLOXPRESS® Model PRC-PRLF (36CLF Series) Pressure Reducing Valves with Press connections are easily installed to protect residential and commercial potable water distribution systems by automatically controlling excessive pressure. The dielectric thermoplastic cage provides maximum corrosion resistance. Designed for easy in-line servicing with bottom access to seat disc and strainer.

### FEATURES

- ANSI 3rd Party Certified Lead Free
- Fast, Reliable, Economical Press Installation
- Ridgid® XL Press Tool Compatible
- Leak Before Press® Technology
- Balanced Piston Design
- SS Adjusting Screw and Sealed Cage Standard
- Built-in Thermal Expansion By-Pass
- Easy Access to Seat Disc and Strainer
- **Made in USA, ARRA Compliant**

### PERFORMANCE RATING†

- Maximum Press Fitting Pressure: 250 psi (17.2 bar)
- Maximum Temperature: 180°F (82°C)

†APOLLOXPRESS® connectors are designed for direct mechanical connection to ASTM B88-Type K, L, and M copper tubing in the hard drawn condition. Press connectors are not suitable for steam or flammable gas service.

### OPTIONS

- (36C-PR) APOLLOXPRESS®

### STANDARD MATERIALS LIST

Part Name	Material
Body	C89836 Lead Free* Bronze
Screen	Stainless Steel
Cap	Glass Filled Celcon®
Diaphragm	FDA grade EPDM
Seat disc	FDA grade EPDM
Adjusting Screw & Nut	Stainless Steel
Stem	UNS 27450 Lead Free* Brass
Spring	Music Wire ASTM 228
O-Rings	FDA grade Nitrile
Connector Housing	UNS 27450 Lead Free* Brass
Connector O-Ring	FDA Grade EPDM

### APPROVALS

- ASSE 1003-2009; "Water Pressure Reducing Valves"
- CSA B356 "Water pressure reducing valves..."
- NSF/ANSI 372 Lead Free

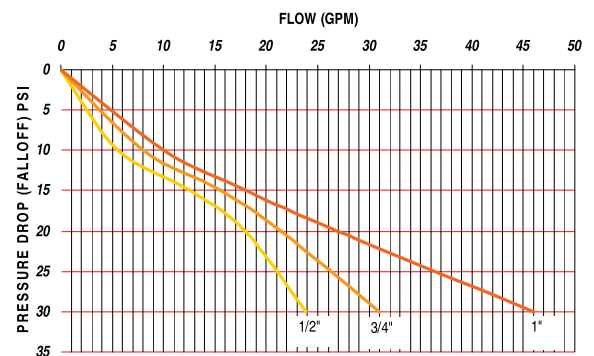
### DIMENSIONS

Model Number	LF Part Number	Size (in.)	Length	Height from CL	Wt. (lbs.)
PRC12PRLF	36CLF-203-01PR	1/2"	5.35"	4.75"	2.1
PRC34PRLF	36CLF-204-01PR	3/4"	5.68"	4.75"	2.3
PRC1PRLF	36CLF-205-01PR	1"	6.25"	4.75"	2.9

### MODEL NUMBER

PRC	X	X	X	PRLF
SIZE	PRESSURE GAUGE		PRESSURE RANGE	
12 = 1/2"	blank = No Gauge Port		blank = 25 - 75 PSIG	
34 = 3/4"	P = w/Gauge Port Plugged		L = 10 - 35 PSIG	
1 = 1"	G = w/Pressure Gauge		H = 75 - 125 PSIG	

### FLOW CHART



\* LEAD FREE: The wetted surfaces of this product shall contain no more than 0.25% lead by weighted average. Complies with Federal Public Law 111-380. ANSI 3rd party approved and listed.

Apollo Valves, Manufactured by **Conbraco Industries, Inc.**  
701 Matthews Mint-Hill Road, Matthews, NC 28105 USA  
www.apollovalves.com | (704) 841-6000

This specification is provided for reference only. Conbraco Industries Inc. reserves the right to change any portion of this specification without notice and without incurring obligation to make such changes to Conbraco products previously or subsequently sold. Please visit our website @ www.apollovalves.com for the most current information.



# 'Apollo' Valves

# SUBMITTAL SHEET

## 36E Series

Water Pressure Reducing Valve

**APOLLOXPRESS®**



<b>Job Name:</b>	
<b>Job Location:</b>	
<b>Engineer:</b>	
<b>Contractor:</b>	
<b>Tag:</b>	
<b>PO Number:</b>	
<b>Representative:</b>	
<b>Wholesale Distributor:</b>	



### DESCRIPTION

The APOLLOXPRESS® Model PRE-PR (36E Series) Pressure Reducing Valve with Press connections is easily installed to protect residential and commercial water distribution systems by automatically reducing excessive supply pressures. The dezincification resistant bronze body, stainless steel adjusting screw and dielectric polymer cage provide maximum corrosion resistance. Designed for easy in-line servicing with simple cartridge removal.

### FEATURES

- Fast, Reliable, Economical Press Installation
- Ridgid® XL Press Tool Compatible
- Leak Before Press® Technology
- Sealed Cage for vault installations
- Built-in Thermal Expansion By-Pass
- Large Area Integral Stainless Steel Strainer
- Modular Seat Disc and Strainer Cartridge
- Control Pressure Ranges: 15-75 psi and 75-150 psi
- Factory tested and preset at 60 psi or 100 psi
- High flow / high efficiency design
- Made in USA, ARRA Compliant

### PERFORMANCE RATING<sup>†</sup>

- Maximum Press Fitting Pressure: 250 psi (17.2 bar)
- Maximum Temperature: 180°F (82°C)

*†APOLLOXPRESS® connectors are designed for direct mechanical connection to ASTM B88-Type K, L, and M copper tubing in the hard drawn condition. Press connectors are not suitable for steam or flammable gas service.*

### APPROVALS

- ASSE 1003-2009; "Water Pressure Reducing Valves"
- CSA B356 "Water pressure reducing valves for domestic water supply systems"

### STANDARD MATERIALS LIST

Part Name	Material
Body	UNS C84400 Bronze
Connector Housing	ASTM B16 Brass
Connector O-Ring	NSF grade EPDM
Screen	Stainless Steel
Spring Housing	Glass Filled Celcon®
Diaphragm	FDA grade EPDM Reinforced
Seat disc	FDA grade EPDM
Adjusting Screw & Nut	Stainless Steel
Cage Seal	Nitrile
Stem	ASTM B16 Brass
Spring	Music Wire ASTM A228
Cartridge O-rings	FDA grade EPDM

### OPTIONS

- (36E-PR-LF) Lead Free APOLLOXPRESS®

**Not intended for potable water**

### FLOW CAPACITY

Pipe Size	Fall-Off (PSI)	Pressure Differential (PSI)		
		25	50	75
1/2"	10	10	13	16
	15	13	18	22
	20	17	23	29
	30	22	29	36
3/4"	10	16	21	26
	15	20	27	32
	20	24	32	40
	30	29	38	48
1"	10	25	33	41
	15	30	42	52
	20	34	45	56
	30	35	47	59

Pressure differential is the difference between the supply pressure and adjusted outlet pressure measured in the static (closed) condition. Fall-off is the decrease in downstream regulated pressure as the flow increases.

### DIMENSIONS

Model Number	Part Number	Size (in.)	Length	Height from CL	Wt. (lbs.)
PRE12PR	36E-103-01PR	1/2"	5.4"	4.75"	1.5
PRE34PR	36E-104-01PR	3/4"	5.7"	4.75"	1.7
PRE1PR	36E-105-01PR	1"	6"	4.75"	2.3

### MODEL NUMBER

PRE	X	X	PR
SIZE	PRESSURE RANGE		
12 = 1/2"	blank = 15 - 75 PSIG		
34 = 3/4"	H = 75 - 150 PSIG		
1 = 1"			

Apollo Valves, Manufactured by **Conbraco Industries, Inc.**  
701 Matthews Mint-Hill Road, Matthews, NC 28105 USA  
[www.apollovalves.com](http://www.apollovalves.com) | (704) 841-6000

This specification is provided for reference only. Conbraco Industries Inc. reserves the right to change any portion of this specification without notice and without incurring obligation to make such changes to Conbraco products previously or subsequently sold. Please visit our website @ [www.apollovalves.com](http://www.apollovalves.com) for the most current information.



# 'Apollo' Valves

## SUBMITTAL SHEET

### LEAD FREE

## 36ELF Series

Water Pressure Reducing Valve

### APOLLOXPRESS®



Job Name:	
Job Location:	
Engineer:	
Contractor:	
Tag:	
PO Number:	
Representative:	
Wholesale Distributor:	



### DESCRIPTION

The Lead Free\* APOLLOXPRESS® Model PRE-PRLF (36ELF Series) Pressure Reducing Valves with Press connections are easily installed to protect residential and commercial potable water distribution systems by automatically reducing excessive supply pressures. The dezincification resistant bronze body, stainless steel adjusting screw and dielectric polymer cage provide maximum corrosion resistance. Designed for easy in-line servicing with simple cartridge removal.

### FEATURES

- Fast, Reliable, Economical Press Installation
- Ridgid® XL Press Tool Compatible
- Leak Before Press® Technology
- Balanced Piston Design
- Sealed Cage for vault installations
- Built-in Thermal Expansion By-Pass
- Large Area Integral Stainless Steel Strainer
- Modular Seat Disc and Strainer Cartridge
- Control Pressure Ranges: 15-75 psi and 75-150 psi
- Factory Tested and Preset at 60 or 100 psi
- High flow / high efficiency design
- **Made in USA, ARRA Compliant**

### APPROVALS

- NSF/ANSI 61-G
- NSF/ANSI 372 Lead Free
- ASSE 1003-2009; "Water Pressure Reducing Valves"
- CSA B356 Water pressure reducing valves for domestic water supply systems

### PERFORMANCE RATING<sup>†</sup>

- Maximum Press Fitting Pressure: 250 psi (17.2 bar)
- Maximum Temperature: 180°F (82°C)

<sup>†</sup>APOLLOXPRESS® connectors are designed for direct mechanical connection to ASTM B88-Type K, L, and M copper tubing in the hard drawn condition. Press connectors are not suitable for steam or flammable gas service.

### STANDARD MATERIALS LIST

Part Name	Material
Body	UNS 89836 Lead Free Bronze
Connector Housing	UNS 27450 Lead Free Brass
Connector O-Ring	NSF grade EPDM
Screen	Stainless Steel
Spring Housing	Glass Filled Celcon®
Diaphragm	NSF grade EPDM
Seat disc	FDA grade EPDM
Adjusting Screw & Nut	Stainless Steel
Cage Seal	Nitrile
Stem	UNS 27450 Lead Free Brass
Spring	Music Wire ASTM A228
Cartridge O-rings	NSF grade EPDM

### OPTIONS

- (36E-PR) APOLLOXPRESS®

### FLOW CAPACITY

Pipe Size	Fall-Off (PSI)	Pressure Differential (PSI)		
		25	50	75
1/2"	10	10	13	16
	15	13	18	22
	20	17	23	29
	30	22	29	36
3/4"	10	16	21	26
	15	20	27	32
	20	24	32	40
	30	29	38	48
1"	10	25	33	41
	15	30	42	52
	20	34	45	56
	30	35	47	59

Pressure differential is the difference between the supply pressure and adjusted outlet pressure measured in the static (closed) condition. Fall-off is the decrease in downstream regulated pressure as the flow increases.

\* **LEAD FREE:** The wetted surfaces of this product shall contain no more than 0.25% lead by weighted average. Complies with Federal Public Law 111-380. ANSI 3rd party approved and listed.

This specification is provided for reference only. Conbraco Industries Inc. reserves the right to change any portion of this specification without notice and without incurring obligation to make such changes to Conbraco products previously or subsequently sold. Please visit our website @ [www.apollovalves.com](http://www.apollovalves.com) for the most current information.

### DIMENSIONS

Model Number	LF Part Number	Size (in.)	Length	Height from CL	Wt. (lbs.)
PRE12PRLF	36ELF-103-01PR	1/2"	5.4"	4.75"	1.5
PRE34PRLF	36ELF-104-01PR	3/4"	5.7"	4.75"	1.7
PRE1PRLF	36ELF-105-01PR	1"	6"	4.75"	2.3

### MODEL NUMBER

PRE	X	X	PRLF
SIZE	PRESSURE RANGE		
12 = 1/2"	blank = 15 - 75 PSIG		
34 = 3/4"	H = 75 - 150 PSIG		
1 = 1"			

Apollo Valves, Manufactured by **Conbraco Industries, Inc.**  
701 Matthews Mint-Hill Road, Matthews, NC 28105 USA  
[www.apollovalves.com](http://www.apollovalves.com) | (704) 841-6000



# 'Apollo' Valves

# SUBMITTAL SHEET

## Model RP4A

Reduced Pressure **Backflow Preventers**  
With Press Connections

**APOLLOXPRESS®**



<b>Job Name:</b>	
<b>Job Location:</b>	
<b>Engineer:</b>	
<b>Contractor:</b>	
<b>Tag:</b>	
<b>PO Number:</b>	
<b>Representative:</b>	
<b>Wholesale Distributor:</b>	



### DESCRIPTION

The APOLLOXPRESS® Model RP4A series Reduced Pressure Backflow Preventers with Press end connections provide maximum protection against back-siphonage or backpressure from substances that are hazardous to the potable water supply. The top accessed modular check valve cartridges provide captured springs, replaceable seats and reversible silicone seat discs. This Made in America / 5 year factory warranty assembly features APOLLOXPRESS® ball valves with stainless steel handles and trim as standard and Leak Before Press® technology.

### FEATURES

- Fast, Reliable, Economical Press Installation
- Rigid® XL Press Tool Compatible
- Leak Before Press® Technology
- Low pressure loss
- Easily removable modular check valve cartridge
- Captured stainless steel check springs
- APOLLOXPRESS® ball valves w/ SS handles & nuts standard
- Top-mounted test cocks for easy testing
- Modular Relief Valve
- No special tools required for servicing
- **Made in U.S.A., ARRA Compliant**

### PERFORMANCE RATING

- Maximum Working Pressure 175 psi
- Temperature Range 33 ° F – 180 ° F

### APPROVALS

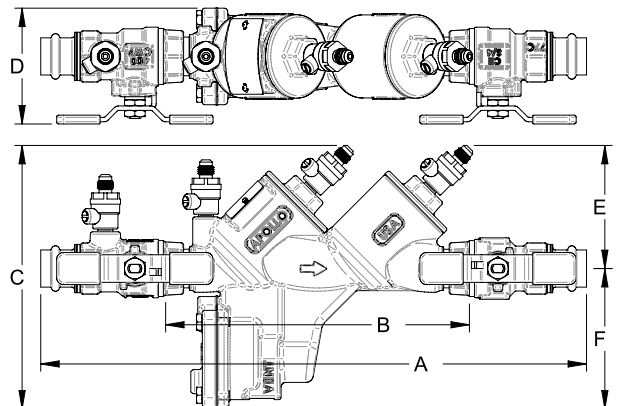
- ASSE 1013 - Horizontal (½"-2")
- CSA B.64.4 - Horizontal (½"-2")
- Backflow assembly is approved by the Foundation for Cross-Connection Control and Hydraulic Research at the University of Southern California. Push connections are optional factory installed connectors on each end of the approved assembly. – Horizontal (½"-2")

### STANDARD MATERIALS LIST

Part Name	Material
Body, Caps, Ball Valve Shutoffs, Test cocks	Cast Bronze C84400 or C89836
Check Valve Cartridges	Glass-Filled PPO
Springs	300 Series Stainless Steel
Seat Discs	Chloramine-resistant Silicone
O-rings	Chloramine-resistant EPDM

### DIMENSIONS

Model Number	Size (in.)	Dimensions (in.)						Wt. (lbs.)
		A	B	C	D	E	F	
4A203-T2FPR	½"	13	7 ¾	7 ½	2 ¾	3 ¼	3 ¾	7.4
4A204-T2FPR	¾"	14 ⅞	8 ½	7 ¾	3 ½	3 ½	3 ¾	9.0
4A205-T2FPR	1"	16 ⅞	9 ½	8	3 ¼	4	4	13.0
4A206-T2PR	1 ¼"	21 ⅞	11 ¾	9 ¾	5 ½	4 ½	5 ¾	19.1
4A207-T2PR	1 ½"	22	11 ⅝	9 ¾	5 ½	4 ½	5 ¾	22.5
4A208-T2PR	2"	24 ¾	12 ¾	11	5 ¾	5	6	34.6



Apollo Valves, Manufactured by **Conbraco Industries, Inc.**  
701 Matthews Mint-Hill Road, Matthews, NC 28105 USA  
[www.apollovalves.com](http://www.apollovalves.com) | (704) 841-6000

This specification is provided for reference only. Conbraco Industries Inc. reserves the right to change any portion of this specification without notice and without incurring obligation to make such changes to Conbraco products previously or subsequently sold. Please visit our website @ [www.apollovalves.com](http://www.apollovalves.com) for the most current information.



# 'Apollo' Valves

# SUBMITTAL SHEET

## Model RP4A

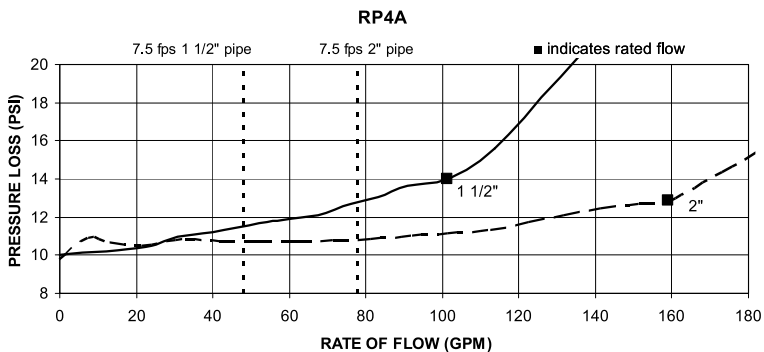
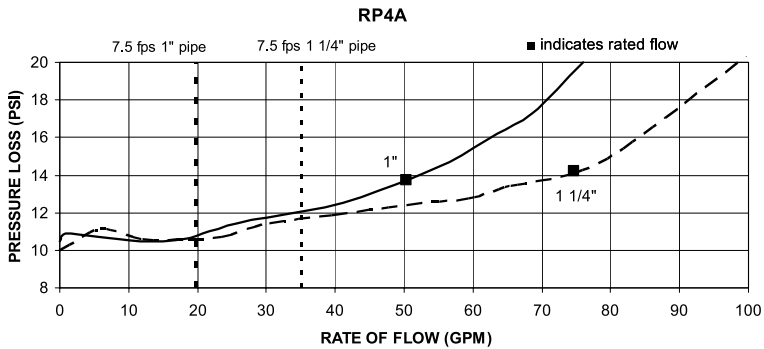
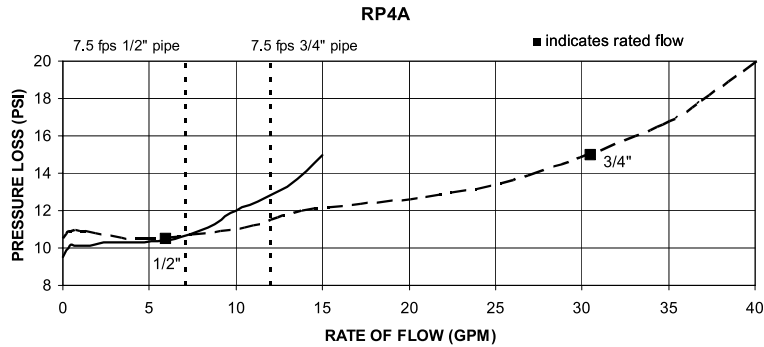
Reduced Pressure **Backflow Preventers**  
With Press Connections

### FACTORY CODE

4A [XX]	20	X	T2F	PR
	Y-STRAINER	SIZE	OPTIONS (CAN BE COMBINED)	CONNECTION
4A = Non-Lead Free 4ALF = Lead Free	<input type="checkbox"/> 0 = None - Standard	<input type="checkbox"/> 3 = 1/2" <input type="checkbox"/> 4 = 3/4" <input type="checkbox"/> 5 = 1" <input type="checkbox"/> 6 = 1-1/4" <input type="checkbox"/> 7 = 1-1/2" <input type="checkbox"/> 8 = 2"	<input type="checkbox"/> Blank = NPT Testcock (1-1/4" - 2") <input type="checkbox"/> F = SAE test cocks (standard) (1/2" - 1")	PR - APOLLOXPRESS®
			<b>AIR GAP DEVICES</b>	
			<input type="checkbox"/> AGD4A1 = (1/2" - 1") <input type="checkbox"/> AGD4A112 = (1-1/4" & 1-1/2") <input type="checkbox"/> AGD4A2 = (2")	

### FLOW CURVES

#### ■ Meter Rated Flow



Curves developed from independent approval agencies actual tests – Consult factory for details.

■ indicates rated flow as determined by approval agencies, 7.5 ft/sec is the typical maximum Plumbing system flow rate.

Apollo Valves, Manufactured by **Conbraco Industries, Inc.**  
701 Matthews Mint-Hill Road, Matthews, NC 28105 USA  
[www.apollovalves.com](http://www.apollovalves.com) | (704) 841-6000

This specification is provided for reference only. Conbraco Industries Inc. reserves the right to change any portion of this specification without notice and without incurring obligation to make such changes to Conbraco products previously or subsequently sold. Please visit our website @ [www.apollovalves.com](http://www.apollovalves.com) for the most current information.

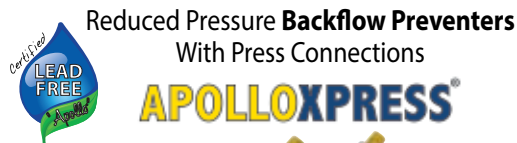


# 'Apollo' Valves

## SUBMITTAL SHEET

### LEAD FREE

## Model RPLF 4A



Reduced Pressure **Backflow Preventers**  
With Press Connections



<b>Job Name:</b>	
<b>Job Location:</b>	
<b>Engineer:</b>	
<b>Contractor:</b>	
<b>Tag:</b>	
<b>PO Number:</b>	
<b>Representative:</b>	
<b>Wholesale Distributor:</b>	



### DESCRIPTION

The APOLLOXPRESS® Model RPLF4A Series Lead Free\* Reduced Pressure Backflow Preventers with Press end connections provide maximum protection against back-siphonage or backpressure from substances that are hazardous to the potable water supply. The top accessed modular check valve cartridges provide captured springs, replaceable seats and reversible silicone seat discs. This Made in America / 5 year factory warranty assembly features APOLLOXPRESS® ball valves with stainless steel handles and trim and Leak Before Press® technology.

### FEATURES

- Fast, Reliable, Economical Press Installation
- Ridgid® XL Press Tool Compatible
- Leak Before Press® Technology
- Low pressure loss
- Easily removable modular check valve cartridge
- Captured stainless steel springs
- Top-mounted test cocks for easy testing
- Modular Relief Valve
- APOLLOXPRESS® ball valves w/ SS handles & nuts standard
- No special tools required for servicing
- **Made in U.S.A., ARRA Compliant**

### PERFORMANCE RATING

- Maximum Working Pressure 175 psi
- Temperature Range 33 ° F – 180 ° F

### APPROVALS

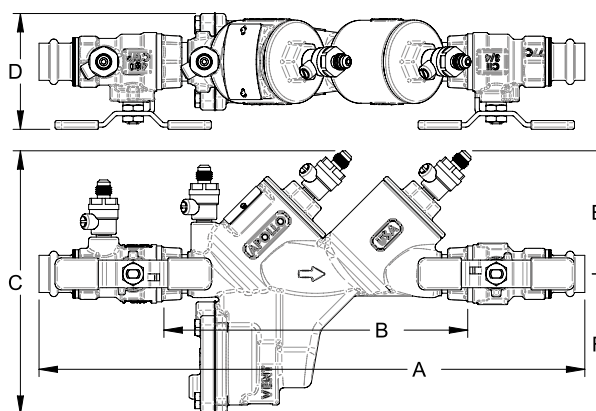
- ASSE 1013 - Horizontal (½"-2")
- CSA B.64.4 - Horizontal (½"-2")
- NSF/ANSI 61-G
- NSF/ANSI 372 Lead Free\*
- Backflow assembly is approved by the Foundation for Cross-Connection Control and Hydraulic Research at the University of Southern California. Push connections are optional factory installed connectors on each end of the approved assembly. – Horizontal (½"-2")

### STANDARD MATERIALS LIST

Part Name	Material
Body, Caps, Ball Valve Shutoffs, Test cocks	Bronze C89836 Lead Free*
Check Valve Cartridges	Glass-Filled PPO
Springs	300 Series Stainless Steel
Seat Discs	Chloramine-resistant Silicone
O-rings	Chloramine-resistant EPDM

### DIMENSIONS

Model Number	Size (in.)	Dimensions (in.)						Wt. (lbs.)
		A	B	C	D	E	F	
4ALF203-T2FPR	½"	13	7 ¾	7 ½	2 7/8	3 ¼	3 7/8	7.4
4ALF204-T2FPR	¾"	14 7/8	8 ½	7 ¾	3 ½	3 ½	3 7/8	9.0
4ALF205-T2FPR	1"	16 7/8	9 ½	8	3 ¼	4	4	13.0
4ALF206-T2PR	1 ¼"	21 ½	11 ¾	9 7/8	5 ½	4 ½	5 ¾	19.1
4ALF207-T2PR	1 ½"	22	11 5/8	9 7/8	5 ½	4 ½	5 ¾	22.5
4ALF208-T2PR	2"	24 ¾	12 ¾	11	5 7/8	5	6	34.6



\* LEAD FREE: The wetted surfaces of this product shall contain no more than 0.25% lead by weighted average. Complies with Federal Public Law 111-380. ANSI 3rd party approved and listed.

Apollo Valves, Manufactured by **Conbraco Industries, Inc.**  
701 Matthews Mint-Hill Road, Matthews, NC 28105 USA  
[www.apollovalves.com](http://www.apollovalves.com) | (704) 841-6000

This specification is provided for reference only. Conbraco Industries Inc. reserves the right to change any portion of this specification without notice and without incurring obligation to make such changes to Conbraco products previously or subsequently sold. Please visit our website at [www.apollovalves.com](http://www.apollovalves.com) for the most current information.



# "Apollo" Valves

# SUBMITTAL SHEET

## LEAD FREE

# Model RPLF 4A

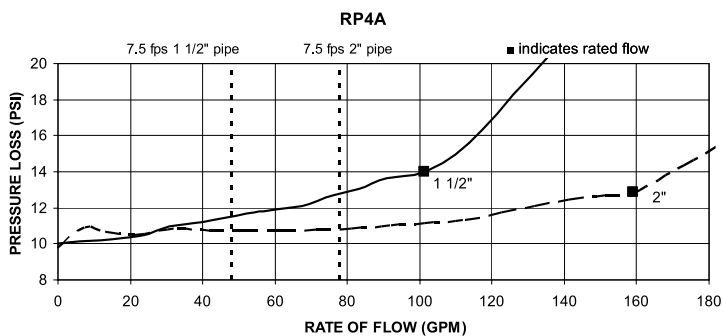
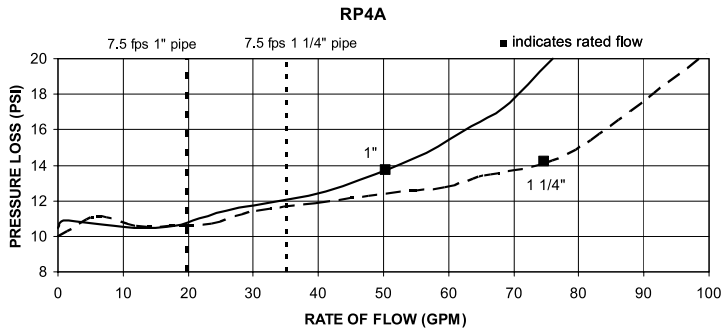
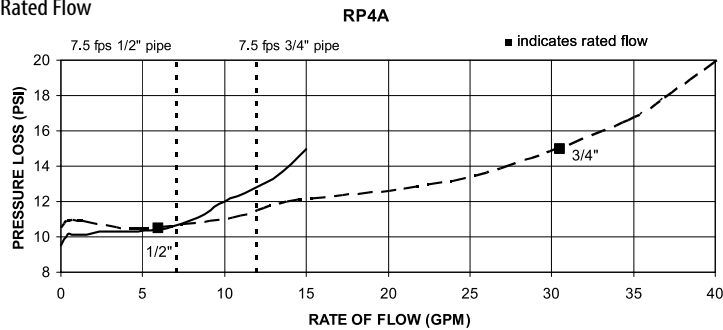
Reduced Pressure **Backflow Preventers**  
With Press Connections

### FACTORY CODE

4A [XX]	2 0	X	T2 F	PR
	Y-STRAINER	SIZE	OPTIONS (CAN BE COMBINED)	CONNECTION
4A = Non-Lead Free 4ALF = Lead Free	<input type="checkbox"/> 0 = None - Standard	<input type="checkbox"/> 3 = 1/2" <input type="checkbox"/> 4 = 3/4" <input type="checkbox"/> 5 = 1" <input type="checkbox"/> 6 = 1-1/4" <input type="checkbox"/> 7 = 1-1/2" <input type="checkbox"/> 8 = 2"	<input type="checkbox"/> Blank = NPT Testcock (1-1/4" - 2") <input type="checkbox"/> F = SAE test cocks (standard) (1/2" - 1") <div style="background-color: black; color: white; padding: 2px; text-align: center; font-weight: bold;">AIR GAP DEVICES</div> <input type="checkbox"/> AGD4A1 = (1/2" - 1") <input type="checkbox"/> AGD4A112 = (1-1/4" & 1-1/2") <input type="checkbox"/> AGD4A2 = (2")	PR - APOLLOXPRESS®

### FLOW CURVES

■ Meter Rated Flow



Curves developed from independent approval agencies actual tests – Consult factory for details.

■ indicates rated flow as determined by approval agencies, 7.5 ft/sec is the typical maximum Plumbing system flow rate.

Apollo Valves, Manufactured by **Conbraco Industries, Inc.**  
701 Matthews Mint-Hill Road, Matthews, NC 28105 USA  
[www.apollovalves.com](http://www.apollovalves.com) | (704) 841-6000

This specification is provided for reference only. Conbraco Industries Inc. reserves the right to change any portion of this specification without notice and without incurring obligation to make such changes to Conbraco products previously or subsequently sold. Please visit our website @ [www.apollovalves.com](http://www.apollovalves.com) for the most current information.



"Apollo" Valves

# SUBMITTAL SHEET

## 59 Series

Bronze Wye Strainer

### APOLLOXPRESS®



<b>Job Name:</b>	
<b>Job Location:</b>	
<b>Engineer:</b>	
<b>Contractor:</b>	
<b>Tag:</b>	
<b>PO Number:</b>	
<b>Representative:</b>	
<b>Wholesale Distributor:</b>	



### DESCRIPTION

The APOLLOXPRESS® Model YB-PR (59 Series) Strainers with quick Press connections are designed to protect domestic water systems and process equipment from unwanted foreign particles with minimal pressure loss. The valves are built for long reliable service with proven ASTM grade materials and stainless steel strainer. Features Leak Before Press® technology and 250 psig maximum working pressure.

### FEATURES

- Fast, Reliable, Economical Press Installation
- Ridgid® XL Press Tool Compatible
- Leak Before Press® Technology
- Self-Aligning Screen Design
- Blowout Ball Valve Option
- CRN 0E8959.5C
- **Made in USA, ARRA Compliant**

### PERFORMANCE RATING†

- Maximum Pressure:  
250 psi (17.2 bar) non-shock
- Temperature Range:  
0°F - 250°F (-18°C - 121°C)

†APOLLOXPRESS® connectors are designed for direct mechanical connection to ASTM B88-Type K, L, and M copper tubing in the hard drawn condition. Press connectors are not suitable for steam or flammable gas service.

### OPTIONS

- (01) – 50 Mesh (Standard 1/2" models)
- (01) – 20 Mesh (Standard 3/4" - 2" models)
- (02) – Tapped Cap
- (P2) – Tapped Cap with Plug
- (06) – Tapped cap with Ball Valve
- (E1) – 20 Mesh (for 1/2" model)
- (A1) – 40 Mesh
- (B1) – 60 Mesh
- (C1) – 80 Mesh
- (H1) – 100 Mesh
- (59-PR-LF) Lead Free APOLLOXPRESS®

**Not intended for potable water**

### STANDARD MATERIALS LIST

Part Name	Material
Body	Cast Bronze, ASTM B584
Cap	Brass, ASTM B16
Connector Housing	ASTM B16 Brass
Connector O-Ring	NSF grade EPDM
Screen	302 Stainless Steel
O-Ring	Teflon®
Gasket	PTFE

### DIMENSIONS

Model Number	Part Number	Size (in.)	Length	Cv	Wt. (lbs.)
YB-12PR	59-003-01PR	1/2"	4.75"	5	1.0
YB-34PR	59-004-01PR	3/4"	6.1"	15	2.0
YB-1PR	59-005-01PR	1"	7.25"	28	3.0
YB-114PR	59-006-01PR	1-1/4"	7.62"	55	3.8
YB-112PR	59-007-01PR	1-1/2"	8.25"	70	5.7
YB-2PR	59-008-01PR	2"	10.39"	99	7.7

For liquids the flow coefficient - Cv - expresses the flow capacity in gallons per minute (GPM) of 60°F water with a pressure drop of 1 psi (lb/in<sup>2</sup>).

Apollo Valves, Manufactured by **Conbraco Industries, Inc.**  
701 Matthews Mint-Hill Road, Matthews, NC 28105 USA  
[www.apollovalves.com](http://www.apollovalves.com) | (704) 841-6000

This specification is provided for reference only. Conbraco Industries Inc. reserves the right to change any portion of this specification without notice and without incurring obligation to make such changes to Conbraco products previously or subsequently sold. Please visit our website @ [www.apollovalves.com](http://www.apollovalves.com) for the most current information.





"Apollo" Valves

# SUBMITTAL SHEET

## LEAD FREE

## 59LF Series

Bronze Wye Strainer

### APOLLOXPRESS®



<b>Job Name:</b>	
<b>Job Location:</b>	
<b>Engineer:</b>	
<b>Contractor:</b>	
<b>Tag:</b>	
<b>PO Number:</b>	
<b>Representative:</b>	
<b>Wholesale Distributor:</b>	



### DESCRIPTION

The Lead Free\* APOLLOXPRESS® YB-PRLF (59LF Series) Strainers with quick Press connections are designed to protect potable piping systems from unwanted foreign particles with minimum pressure loss. The valves are built for long reliable service with proven ASTM grade materials including a Lead Free\* bronze body and stainless steel strainer.

### FEATURES

- Lead Free\* Bronze and Brass Construction
- Fast, Reliable, Economical Press Installation
- Ridgid® XL Press Tool Compatible
- Leak Before Press® Technology
- Self-Aligning SS Screen Design
- Blowout Ball Valve Option
- CRN 0E8959.5C
- **Made in USA, ARRA Compliant**

### PERFORMANCE RATING†

- Maximum Pressure: 250 psi (17.2 bar) non-shock
- Temperature Range: 0°F - 250°F (-18°C - 121°C)

†APOLLOXPRESS® connectors are designed for direct mechanical connection to ASTM B88-Type K, L, and M copper tubing in the hard drawn condition. Press connectors are not suitable for steam or flammable gas service.

### APPROVALS

- NSF/ANSI 61-G
- NSF/ANSI 372 Lead Free\*

### OPTIONS

- (01) – 50 Mesh (Standard 1/2" models)
- (01) – 20 Mesh (Standard 3/4" - 2" models)
- (02) – Tapped Cap
- (P2) – Tapped Cap with Plug
- (06) – Tapped cap with Ball Valve
- (E1) – 20 Mesh (for 1/2" model)
- (A1) – 40 Mesh
- (B1) – 60 Mesh
- (C1) – 80 Mesh
- (H1) – 100 Mesh
- (59-PR) APOLLOXPRESS®

### STANDARD MATERIALS LIST

Part Name	Material
Body	ASTM B584 C89836 Bronze
Cap	UNS C27450 Brass
Connector Housing	UNS C27450 Brass
Connector O-Ring	NSF grade EPDM
Screen	302 Stainless Steel
Cap Seal (1/2")	Teflon® O-Ring
Cap Seal (3/4" – 2")	PTFE Gasket

### DIMENSIONS

Model Number	LF Part Number	Size (in.)	Length	Cv	Wt. (lbs.)
YB12PRLF	59LF-003-01PR	1/2"	4.75"	5	1.0
YB34PRLF	59LF-004-01PR	3/4"	6.1"	15	2.0
YB1PRLF	59LF-005-01PR	1"	7.25"	28	3.0
YB114PRLF	59LF-006-01PR	1-1/4"	7.62"	55	3.8
YB112PRLF	59LF-007-01PR	1-1/2"	8.25"	70	5.7
YB2PRLF	59LF-008-01PR	2"	10.39"	99	7.7

For liquids the flow coefficient - Cv - expresses the flow capacity in gallons per minute (GPM) of 60°F water with a pressure drop of 1 psi (lb/in<sup>2</sup>).

\* LEAD FREE: The wetted surfaces of this product shall contain no more than 0.25% lead by weighted average. Complies with Federal Public Law 111-380. ANSI 3rd party approved and listed.

Apollo Valves, Manufactured by **Conbraco Industries, Inc.**  
701 Matthews Mint-Hill Road, Matthews, NC 28105 USA  
[www.apollovalves.com](http://www.apollovalves.com) | (704) 841-6000

This specification is provided for reference only. Conbraco Industries Inc. reserves the right to change any portion of this specification without notice and without incurring obligation to make such changes to Conbraco products previously or subsequently sold. Please visit our website @ [www.apollovalves.com](http://www.apollovalves.com) for the most current information.



# 'Apollo' Valves

# SUBMITTAL SHEET

## 58A Series

Calibrated **Balancing Valve**  
Multi-Turn, Variable Orifice Adjustment

**APOLLOXPRESS®**



<b>Job Name:</b>	
<b>Job Location:</b>	
<b>Engineer:</b>	
<b>Contractor:</b>	
<b>Tag:</b>	
<b>PO Number:</b>	
<b>Representative:</b>	
<b>Wholesale Distributor:</b>	



### DESCRIPTION

Apollo Model 58A balance valves are precision engineered and manufactured valves which provide two position hydronic circuit isolation capability and multi-turn throttling adjustment as required for proportional balancing of hydronic systems. The valves unique needle valve adjustment, with integrated digital readout incorporated into the handle allows qualified technicians to have the valve function as a highly accurate variable orifice flow meter. Valve pressure drop can be read through the valves integrated 1/4" measurement ports, and flow calculated from the flow coefficient associated with the numerical setting.

### FEATURES

- P/T plugs
- Compatible with All Flow Meters
- Easy Adjustment and Setpoint Indicator
- Isolated Flow Shut-off
- Reversible Lever

### OPTIONS

- Solder Connection (58A-S Series)
- Press Connection (58A-PR Series)
- Push Connection (58A-P Series)

### STANDARD MATERIALS LIST

Part Name	Material
Valve body	DZR brass CW602N
Ball & needle	DZR brass CW602N (chrome plated)
Valve handle	Glass Filled Polyamide
Sealing O-ring	EPDM
Gasket	PTFE
Test port seal	EPDM

### PERFORMANCE RATING

- Max Pressure: 600 psi (41.3 bar)
- Max Temp: 250°F (121°C)

*Not intended for potable water*

### SPECIFICATION

#### 2.4.1 Ball Valves (& Butterfly Valves)

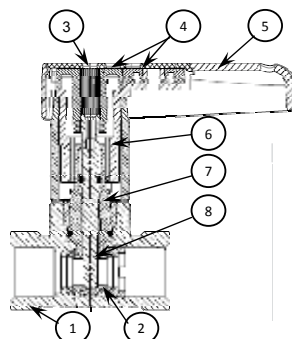
Ball valves shall conform to MSS SP-72 and shall be rated for service at not less than (1207 kilopascal at 93° C) 175 psig at 200°F. Valve bodies in sizes (DN50) 2 inches and smaller shall be screwed-end connection-type constructed of Class A dezincification resistant copper alloy. Balls and stems of valves (DN50) 2 inches and smaller shall be manufacturer's standard with hard chrome plating finish. Valves shall be suitable for flow from either direction and shall seal equally tight in either direction. Valves with ball seals held in place by spring washers are not acceptable. Seats and seals shall be EPDM or polytetrafluoroethylene.

#### 2.4.1.1 Balance and Commissioning Valves

Valves in sizes (DN 50) 2 inches and smaller shall meet construction requirements of 2.4.1. Valves shall provide flow calibration coefficient (CV) to valve position or fixed flow measurement port and flow coefficient (CV) of venturi construction with calibrated pressure drop adjustment. Valve

throttling adjustment shall be no less than five rotations of 360°. Throttled valve setting shall be indicated using digital numeric dial indicator clearly showing numeric value for rotation setting, and partial rotation setting in tenths of adjustment rotation. Valve shall have two integrated instrumentation pressure measurement ports and internal hypodermic seals to allow measurement needle insertion and removal without leakage. Measurement ports shall be provided with captured threaded brass cap. Measurement ports shall be located (A) upstream and downstream of throttling adjustment in variable orifice commissioning valve or (B) At Vena Contracta and downstream of venturi in fixed orifice commissioning valve. Valve shall provide two position 90° control of full adjusted flow rate (open valve ball) or no flow (closed valve ball). Opening and closing of valve shall not influence the adjustment setting of the valve throttling device.

Item No.	Description
1	Machined Valve Body
2	Ball
3	Regulating Adjustment
4	Dial Indicators
5	Valve Handle
6	Valve Stem Cover
7	Ball Valve Stem
8	Regulating Stem



Apollo Valves, Manufactured by **Conbraco Industries, Inc.**  
701 Matthews Mint-Hill Road, Matthews, NC 28105 USA  
[www.apollovalves.com](http://www.apollovalves.com) | (704) 841-6000

*This specification is provided for reference only. Conbraco Industries Inc. reserves the right to change any portion of this specification without notice and without incurring obligation to make such changes to Conbraco products previously or subsequently sold. Please visit our website @ [www.apollovalves.com](http://www.apollovalves.com) for the most current information.*



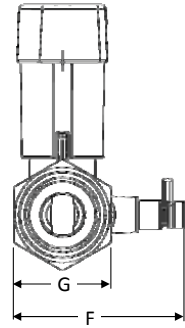
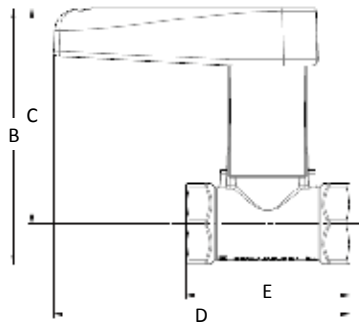
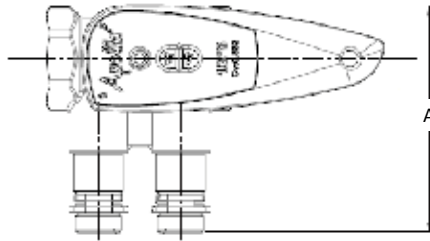
# 'Apollo' Valves

## SUBMITTAL SHEET

### 58A Series

Calibrated **Balancing Valve**  
Multi-Turn, Variable Orifice Adjustment

**APOLLOXPRESS®**

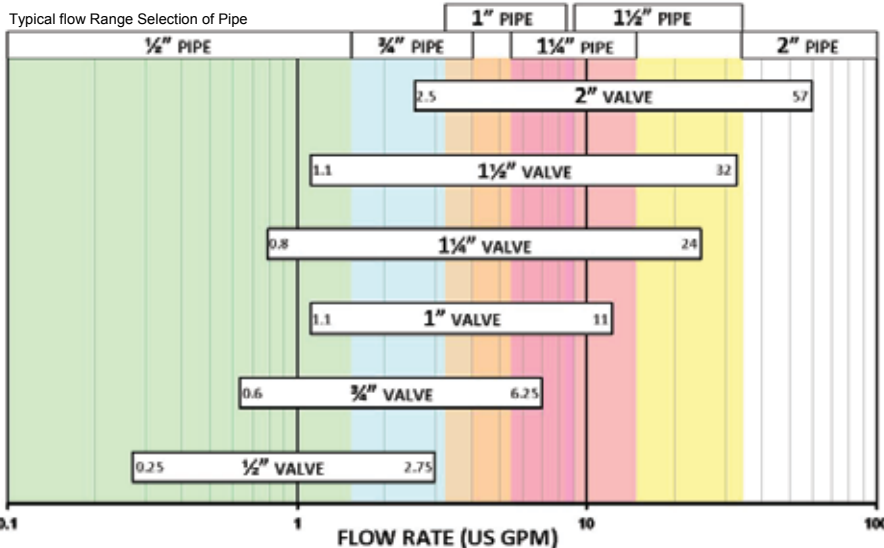


#### DIMENSIONS

Model Number	Size (in.)	Connection	Cv	A	B	C	D	E	F	G	Wt. (lbs.)
58A103T	1/2"	NPT	1.79	2.7	3.5	3	4.1	2.2	2.7	1.1	0.8
58A104T	3/4"	NPT	4.51	2.9	3.7	3	4.1	2.4	2.9	1.34	1.0
58A105T	1"	NPT	8.18	3.2	4	3.2	4.4	3.0	3.2	1.61	1.4
58A106T	1-1/4"	NPT	13.89	3.5	5.4	4.3	6.5	3.5	3.5	1.97	2.5
58A107T	1-1/2"	NPT	23.9	3.7	5.7	4.4	6.7	3.9	3.7	2.24	3.1
58A108T	2"	NPT	33.77	4.2	6.3	4.7	7	4.5	4.2	2.76	4.4
58A103S	1/2"	Solder	1.66	2.7	3.5	3	4.7	3.9	2.7	1.1	1.0
58A104S	3/4"	Solder	4.51	2.9	3.7	3	5.3	4.9	2.9	1.34	1.3
58A105S	1"	Solder	8.18	3.2	4	3.2	5.6	6.3	3.2	1.61	1.8
58A106S	1-1/4"	Solder	13.89	3.5	5.4	4.3	7.8	7.4	3.5	1.97	3.1
58A107S	1-1/2"	Solder	23.9	3.7	5.7	4.4	8.1	7.9	3.7	2.24	4.0
58A108S	2"	Solder	33.77	4.2	6.3	4.7	8.7	8.9	4.2	2.76	5.8
58A103PR	1/2"	Press	1.66	2.7	3.5	3	5	3.9	2.7	1.1	1.1
58A104PR	3/4"	Press	4.51	2.9	3.7	3	5.2	4.6	2.9	1.34	1.4
58A105PR	1"	Press	8.18	3.2	4	3.2	4.5	5.7	3.2	1.61	1.8
58A106PR	1-1/4"	Press	13.89	3.5	5.4	4.3	7.8	6.4	3.5	1.97	3.3
58A107PR	1-1/2"	Press	23.9	3.7	5.7	4.4	8.3	7.0	3.7	2.24	4.3
58A108PR	2"	Press	33.77	4.2	6.3	4.7	8.8	7.9	4.2	2.76	6.0

For liquids the flow coefficient - Cv - expresses the flow capacity in gallons per minute (GPM) of 60° F water with a pressure drop of 1 psi (lb/in<sup>2</sup>)

#### QUICK SELECTION CHART



#### Notes On Valve Selection;

Balancing valves are flow control valves and should be sized per the application. It is generally better to specify the valve for the desired flow rate when fully open, applying a 1PSI to 2 PSI pressure drop, which will allow for adequate differential pressure for field flow measurement. This may make the valve smaller than the applied pipe size.

Apollo Valves, Manufactured by **Conbraco Industries, Inc.**  
701 Matthews Mint-Hill Road, Matthews, NC 28105 USA  
[www.apollovalves.com](http://www.apollovalves.com) | (704) 841-6000

This specification is provided for reference only. Conbraco Industries Inc. reserves the right to change any portion of this specification without notice and without incurring obligation to make such changes to Conbraco products previously or subsequently sold. Please visit our website at [www.apollovalves.com](http://www.apollovalves.com) for the most current information.

